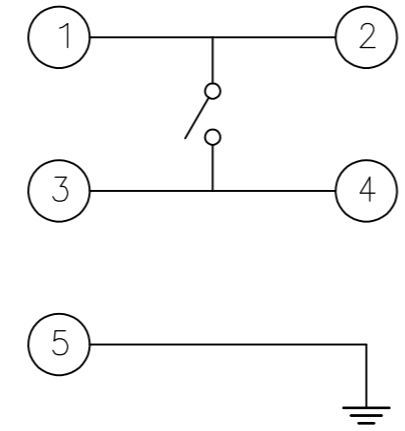
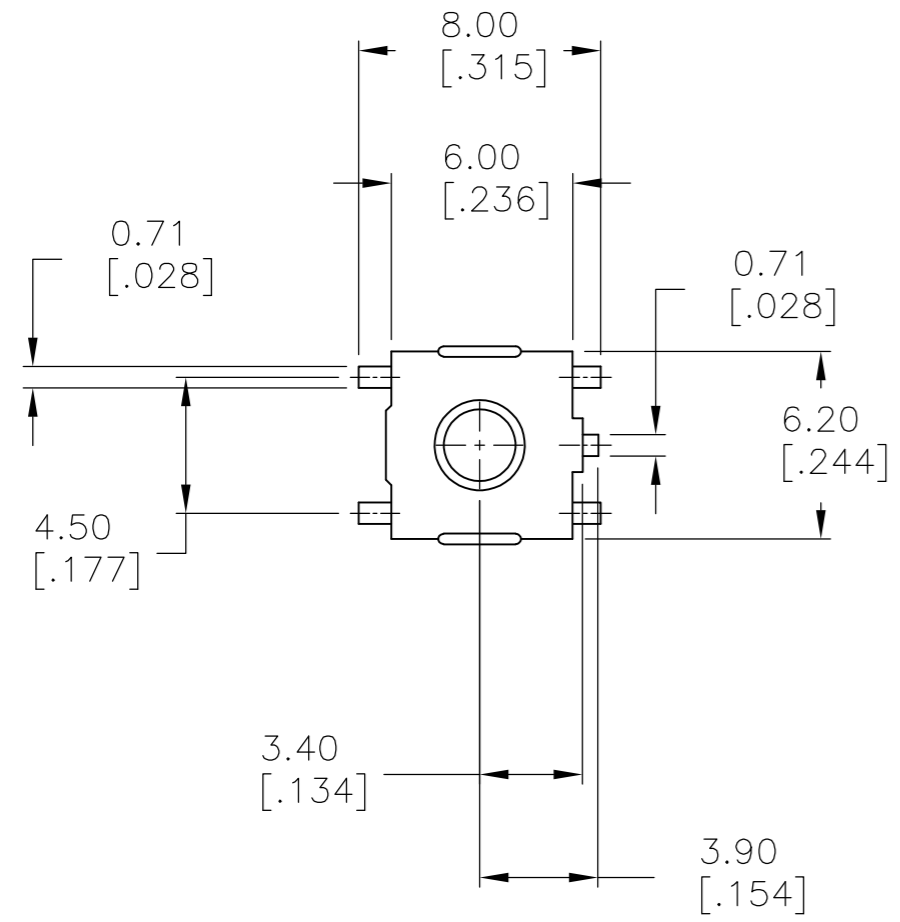
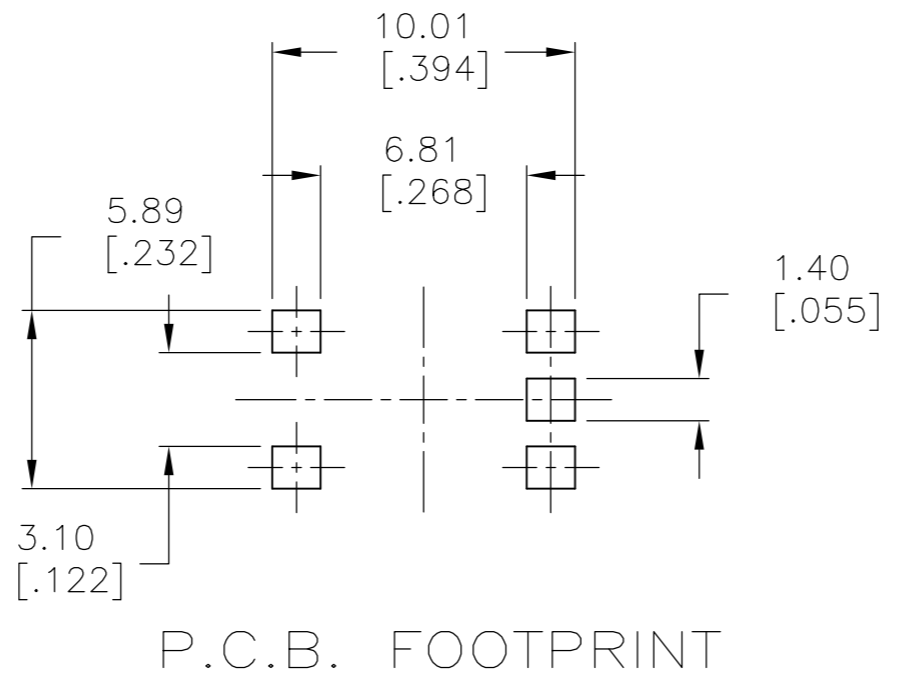
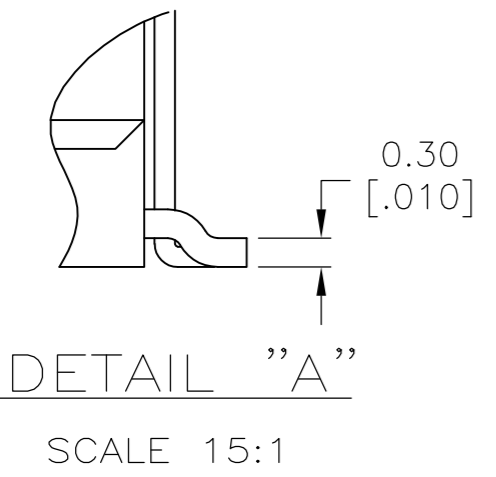
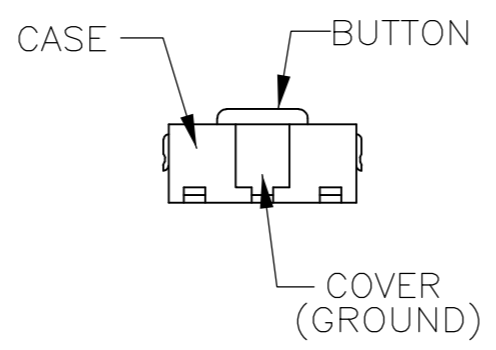
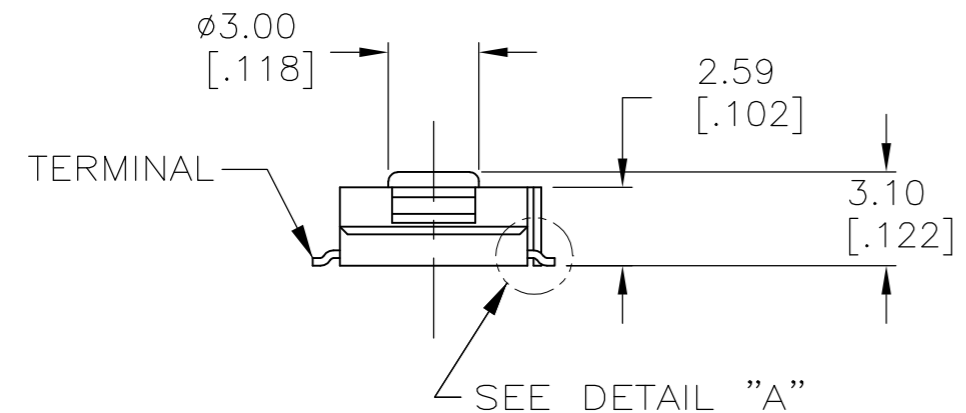


THIS DRAWING IS UNPUBLISHED. RELEASED FOR PUBLICATION
 © COPYRIGHT - By - ALL RIGHTS RESERVED.

LOC		DIST		REVISIONS			
P	LTR	DESCRIPTION		DATE	DWN	APVD	
AD	00	A4	REVISED PER ECO-14-014370		23SEP2014	NK	RH



CIRCUIT DIAGRAM



SPECIFICATIONS:

MATERIALS:

CASE, NYLON 46 UL94 V-0, IVORY
 ACTUATOR, NYLON PA6T UL94V-0, SEE P/N TABLE FOR FINISH
 COVER, COPPER ALLOY, TIN FINISH
 TERMINAL/FIXED CONTACT, COPPER ALLOY-SILVER FINISH
 MOVING CONTACT, STAINLESS STEEL-SILVER FINISH

ELECTRICAL:

MAX CONTACT RATING, 50MILLIAMP@24V DC
 MIN CONTACT RATING, 1MICROAMP@1V DC
 CONTACT RESISTANCE, 100 MILLIOHMS MAX
 INSULATION RESISTANCE, 100 MEGOHM MIN.
 DIELECTRIC STRENGTH, 500 V AC FOR 1 MINUTE
 LIFE EXPECTANCY, 1,000,000 CYCLES

MECHANICAL:

ACTUATION FORCE, SEE P/N TABLE
 ACTUATION TRAVEL, 0.25 +0.20/-0.10
 LIFE EXPECTANCY, 1,000,000, (2 CYCLES PER SECOND AND 150% ACTUATION FORCE)

ENVIRONMENTAL:

OPERATING TEMPERATURE, -40 TO +105° C
 STORAGE TEMPERATURE, -40 TO +105° C
 SOLDERABILITY, EIA-RS-186-9E, OR MIL-STD-202F
 RESISTANCE TO SOLDER HEAT, 260° C FOR 10SEC-PER 109-201, CONDITION B
 1. NO CHANGE IN INITIAL ELECTRICAL AND MECHANICAL CHARACTERISTICS

- ALL MATERIALS AND FINISHES SHALL COMPLY WITH EU DIRECTIVE 2002/95/EC OF 27JAN2003 (ROHS)
- TAPE AND REEL PACKAGING PER EIA-481

1,000,000	PINK	260 +/-50g	12 MM	16 MM	FSM1LPASTR	1977263-4
1,000,000	PINK	260 +/-50g			FSM1LPAS	1977263-3
1,000,000	GREEN	160 +/-50g	12 MM	16 MM	FSM1LPSTR	1977263-2
1,000,000	GREEN	160 +/-50g			FSM1LPS	1977263-1
LIFE CYCLE	ACTUATOR COLOR	ACTUATION FORCE	PITCH	TAPE WIDTH	T&B P/N	TE P/N

THIS DRAWING IS A CONTROLLED DOCUMENT.

DWN	M.BINNER	24JAN08	
CHK	M.SARVER	24JAN08	
APVD	M.SARVER	24JAN08	
PRODUCT SPEC			
NAME			TACTILE SWITCH FSM1LP
APPLICATION SPEC			
WEIGHT			-
CUSTOMER DRAWING			SCALE 4:1 SHEET 1 OF 2 REV A4

SIZE A2 CAGE CODE 00779 DRAWING NO C=1977263 RESTRICTED TO -

4

3

2

1

THIS DRAWING IS UNPUBLISHED. RELEASED FOR PUBLICATION
 © COPYRIGHT - By - ALL RIGHTS RESERVED.

LOC	DIST	REVISIONS			
P	LTR	DESCRIPTION	DATE	DWN	APVD
AD	00	SEE SHEET 1	-	-	-

CARRIER TAPE
COVER TAPE

DRAWING DIRECTION

REEL

REEL
LABEL
COVER TAPE
CARRIER TAPE

-THE DIRECTION OF PILOT HOLES-

-THE DIMENSION OF CARRIER TAPE, COVER TAPE AND REEL-

CARRIER TAPE
COVER TAPE
REEL
END TAPE

TRAILER
PACKED PORTION
LEADER
START
NON-PACKED PORTION(4HOLES MIN)
NON-PACKED PORTION
ADJERED PORTION(2HOLES)
NON-PACKED PORTION(2HOLES MIN)
COVER TAPE
CARRIER TAPE

300-360mm

30.0max
5.0max

0.5

-END TAPE-

THIS DRAWING IS A CONTROLLED DOCUMENT.		DWN M.BINNER 24JAN08	 TE Connectivity TACTILE SWITCH FSM1LP	SIZE	CAGE CODE	DRAWING NO	RESTRICTED TO	
DIMENSIONS: mm [INCHES]	TOLERANCES UNLESS OTHERWISE SPECIFIED:	CHK M.SARVER 24JAN08		NAME	A2	00779	C=1977263	-
	0 PLC ± - 1 PLC ± - 2 PLC ± 0.30[.012] 3 PLC ± - 4 PLC ± - ANGLES ± -	APVD M.SARVER 24JAN08		PRODUCT SPEC	SCALE	SHEET	REV	
MATERIAL	FINISH	APPLICATION SPEC		WEIGHT	4:1	2 of 2	A4	
		CUSTOMER DRAWING						

1471-9 (3/11)

1977263