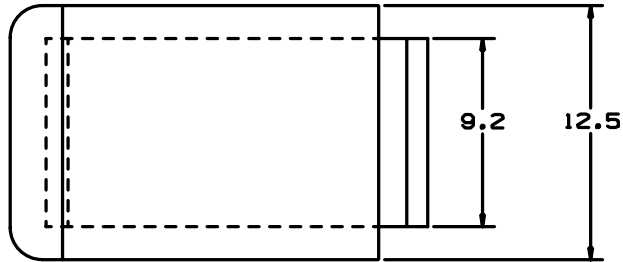
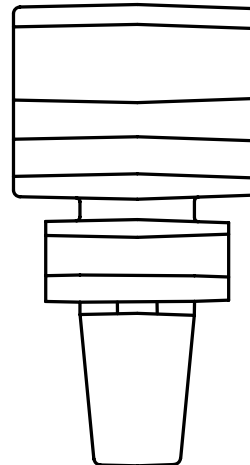
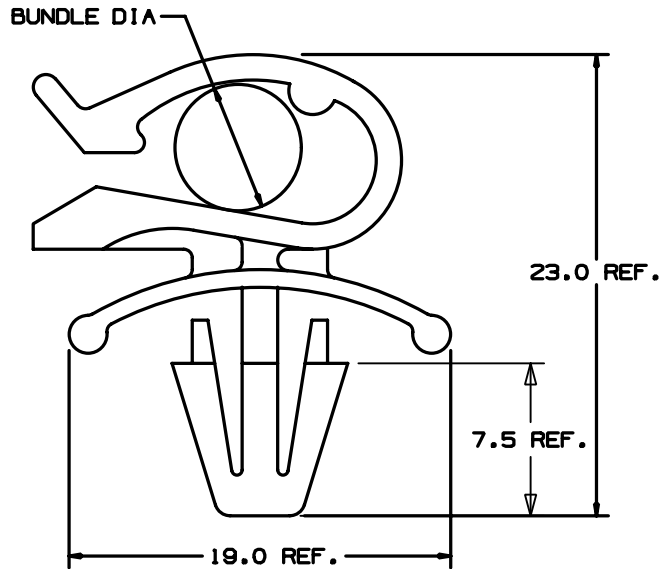


THIS COPY IS PROVIDED ON A RESTRICTED BASIS AND IS NOT TO BE USED IN ANY WAY DETRIMENTAL TO THE INTERESTS OF PANDUIT CORP.



PANDUIT PART NUMBER	RECOMMENDED BUNDLE DIA RANGE (mm)	PANEL DIMENSIONS		WEIGHT g/100 pcs.
		THICKNESS (mm)	HOLE SIZE (mm)	
PMCC09H06	6.0 - 9.0	1.0 - 3.0	6.3 - 6.5	125



NOTES:

- SEE CURRENT PRICE SHEET FOR PART NUMBER SUFFIX DESIGNATION FOR PACKAGE SIZE.

DIMENSIONS ARE METRIC (mm)

CAD FILENAME/LAYER G00239LD_PB_PMCC09H06_02

PANDUIT CORP. TINLEY PARK, ILLINOIS

PMCC09H06
PUSH MOUNT CORD CLIP

UNLESS OTHERWISE SPECIFIED,
DIMENSIONAL TOLERANCES ARE:
(.X) ±0.5 ANGLES ±5°

UNLESS OTHERWISE SPECIFIED,
ALL DIMENSIONS ARE GIVEN
IN INCHES, THIRD ANGLE PROJECTION.

REV	DATE	BY	CHK	DESCRIPTION	ECN	R	CUST	SUP	Q.C.
2	4-14-05	TMSA		ADDED BARB HEIGHT DIMENSION 7.5 REF	G80239LD	2			
1	12/27/04	MJK		CONVERT TO METRIC DWG AND DIM REVISIONS	G80239LD	1			
R	5/21/04	JAD		INITIAL RELEASE	G80239LD	R			

DRAWN BY JAD
DATE 5/21/04
CHK'D

MAT'L:
HEAT STABILIZED
NYLON 6/6
COLOR: BLACK

SCALE NONE
DRAWING NO. G80239LD
DWG SIZE A