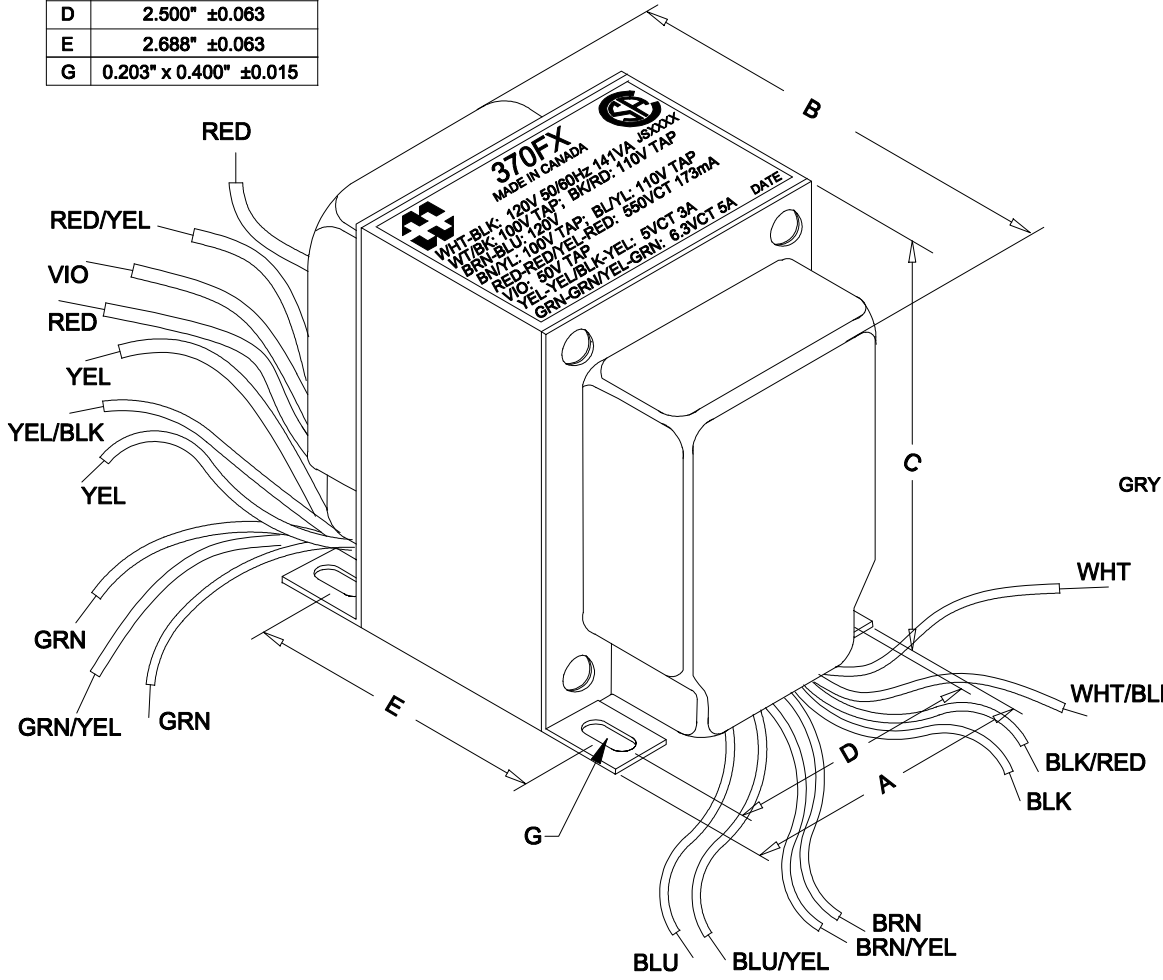
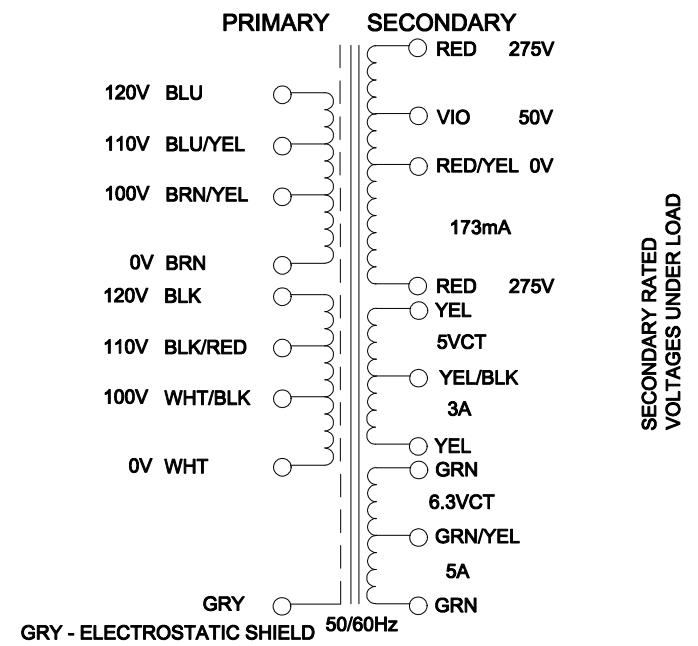


DIMENSIONS:	
A	3.125" ±0.063
B	3.936" ±0.125
C	3.800" ±0.063
D	2.500" ±0.063
E	2.688" ±0.063
G	0.203" x 0.400" ±0.015



NOTE: ALL LEADS 8" OUT MIN. STRIPPED 0.5



SECONDARY RATED VOLTAGES UNDER LOAD

ELECTRICAL DATA:		
TESTS	CONDITIONS	ACCEPTANCE CRITERIA
I _{ex}	@ 120V, 60Hz, WHT - BLK	132mA Max.
Sec. N.L.V	@ 120V, 60Hz, WHT - BLK	
	RED - RED =	586.3V ±2%
	RED - RED/YEL = RED/YEL - RED =	293.2V ±2%
	RED/YEL - VIO =	50.13V ±2%
	YEL - YEL =	5.316V ±2%
	YEL - YEL/BLK = YEL/BLK - YEL =	2.658V ±2%
	GRN - GRN =	6.835V ±2%
	GRN - GRN/YEL = GRN/YEL - GRN =	3.418V ±2%
DCR	@ 20°C, WHT - BLK =	4.541 Ω ±20%
	@ 20°C, BRN - BLU =	4.902 Ω ±20%
	@ 20°C, RED - RED =	106.0 Ω ±20%
	@ 20°C, YEL - YEL =	0.063 Ω ±20%
	@ 20°C, GRN - GRN =	0.053 Ω ±20%
HIPOT	PRIMARY - SECONDARY	2500V, 60Hz, 1 SEC

REV.#	REVISION	DATE
0	RELEASED. C.I.	09/08/12

HAMMOND MANUFACTURING ELECTRONIC DIVISION
 52 RANKIN PLACE, WATERLOO, ONTARIO, N2J 3Z5
 PH # (519) 886-6181 FAX # (519) 886-9540

DWG. BY: C. ILIE	CHK'D BY:	TITLE: POWER TRANSFORMER	DWG. NO. 370FX
DATE: 09/08/12	APP'D. BY:		
	DIMENSIONS: IN(X) MM()		