

注記 NOTES

1. 使用材料 MATERIAL

ハウジング : 液晶ポリマー (LCP) UL94V-0 (黒)
 HOUSING: LIQUID CRYSTAL POLYMER UL94V-0 (COLOR:BLACK)
 ターミナル : 銅合金
 TERMINAL : COPPER ALLOY
 金具 : 銅合金
 FITTING NAIL : COPPER ALLOY

2. メッキ仕様 PLATING

ターミナル TERMINAL

金メッキ
 GOLD

下地メッキ : ニッケルメッキ
 UNDER PLATING : NICKEL

※コンタクト部とテール部はニッケルメッキによって分断されている金メッキです。
 DIVIDE INTO PARTS THE GOLD PLATING OF THE CONTACT AND THE TAIL PART BY THE NICKEL PLATING.

金具 FITTING NAIL

金メッキ (テール部のみ)
 GOLD (ONLY TAIL PART)

下地メッキ : ニッケルメッキ
 UNDER PLATING : NICKEL

△ (全極数 / 2) = 偶数の場合に適用。
 APPLY FOR (CIRCUIT/2) = EVEN.

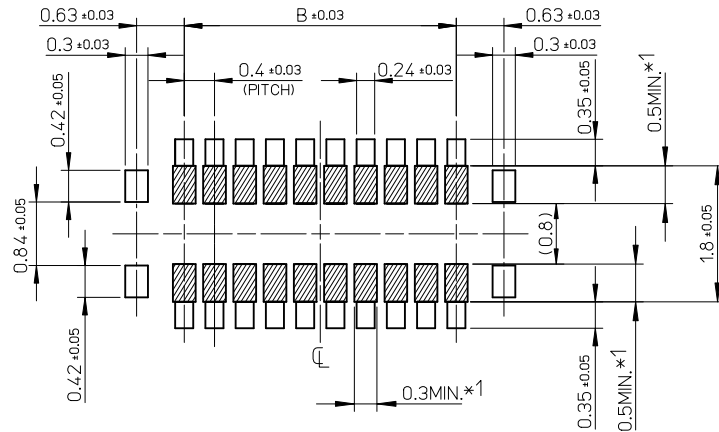
4. 嵌合相手 : 503548 シリーズ
 MATE WITH : 503548 SERIES.

5. テール平坦度は、0.08 以下

テール及び金具の平坦度は、0.1 以下
 TAIL COPLANARITY TO BE 0.08 MAXIMUM.
 TAIL AND FITTING NAIL COPLANARITY TO BE 0.1 MAXIMUM.

| | | | |
|-----|------|------------------------------------|-------------|
| 3.2 | 5.06 | 503552-1880 | 18 |
| 2.8 | 4.66 | 503552-1680 | 16 |
| 2.4 | 4.26 | 503552-1480 | 14 |
| 2.0 | 3.86 | 503552-1280 | 12 |
| 0.8 | 2.66 | 503552-0680 | 6 |
| B | A | EMBOSSED PACKAGE | |
| | | オーダー番号 ORDER No. | 極数 CIRCUITS |
| | | CONNECTOR SERIES No. : 503552-**89 | |

| | | | | | | | | | | |
|---|--------------------|---------------------------------------|-------|--|--------------------|---|------------------------|------------------------|--|---|
| RELEASED EC NO. : J2011-0380 DRWN: NAITO 2010/09/10 CHKD: RTAKEUCHI 2010/09/10 APPR: MSASAO | DESCRIPTION REV | GENERAL TOLERANCES (UNLESS SPECIFIED) | | DIMENSION STYLE MM ONLY | | SCALE 15:1 | DESIGN UNITS METRIC | THIRD ANGLE PROJECTION | | |
| | | 10 UNDER | ±0.2 | DRAWN BY NNAITO | DATE 2010/09/10 | TITLE 0.4 B-T-O-B CONN HGT=0.7 W=2.6 HI-RETENTION PLUG ASSY CHECKER TYPE | | | | |
| | | 10 OVER 30 UNDER | ±0.25 | CHECKED BY RTAKEUCHI | DATE 2010/09/10 | MOLEX INCORPORATED | | | | |
| | | 30 OVER | ±0.3 | APPROVED BY MSASAO | DATE 2010/09/15 | DOCUMENT NO. SD-503552-007 | | | | |
| | | ANGULAR ±1 ° | | DRAFT WHERE APPLICABLE MUST REMAIN WITHIN DIMENSIONS | | MATERIAL NO. SEE CHART | | SHEET NO. 1 OF 2 | | THIS DRAWING CONTAINS INFORMATION THAT IS PROPRIETARY TO MOLEX INCORPORATED AND SHOULD NOT BE USED WITHOUT WRITTEN PERMISSION |



RECOMMENDED P.W. BOARD
PATTERN LAYOUT

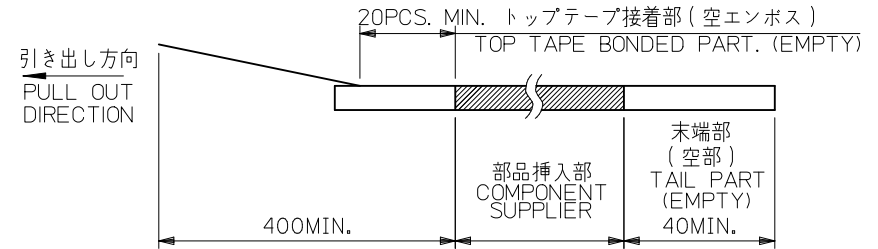
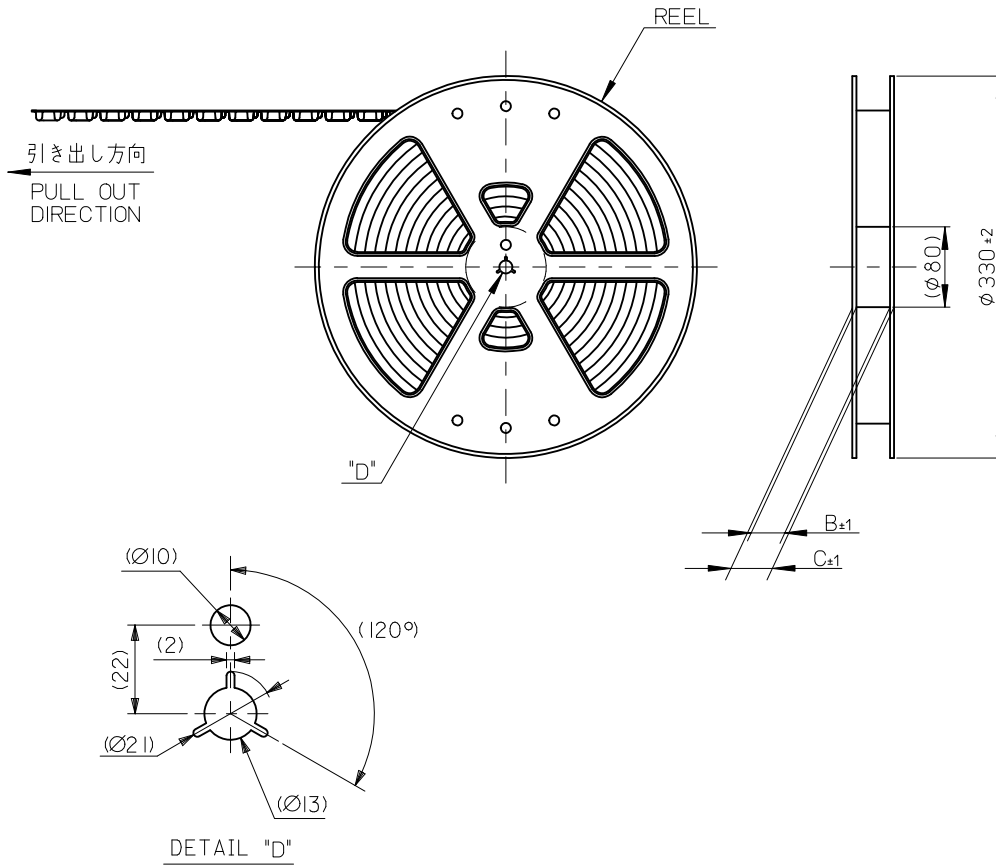
*1 パターン引き回し、および半田禁止エリア
(当該箇所においては、これと接する回路以外の配線を禁止する。
また、接する回路を配線する場合はレジストを施し、この部分に
半田は無きこととする。)

*1 PROHIBITED AREA OF PATTERN WIRING AND SOLDER.
(FOR EACH AREA, THE WIRING THAT TOUCHES ON THE SOLDER
CAN BE ATTACHED, THEN COVERED WITH A FILM TO KEEP SOLDER OUT.)

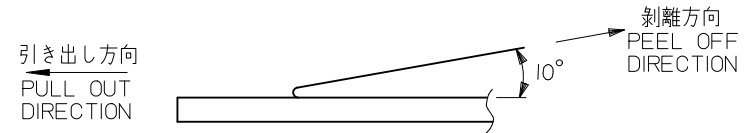
| | | | | | | | | | |
|--|---------------------------------------|--------|--|--------------------|---|------------------------|-------------------------------|--|---------------------|
| RELEASED EC NO.: J2011-0380 DRWN: NNAITO 2010/09/10 CHK'D: RTAKEUCHI 2010/09/10 APPR: MSASAO | GENERAL TOLERANCES (UNLESS SPECIFIED) | | DIMENSION STYLE MM ONLY | | SCALE 15:1 | DESIGN UNITS METRIC | THIRD ANGLE PROJECTION | | |
| | 10 UNDER | ± 0.2 | DRAWN BY NNAITO | DATE 2010/09/10 | TITLE 0.4 B-T0-B CONN HGT=0.7 W=2.6 HI-RETENTION PLUG ASSY CHECKER TYPE | | | | |
| | 10 OVER 30 UNDER | ± 0.25 | CHECKED BY RTAKEUCHI | DATE 2010/09/10 | MOLEX INCORPORATED | | | | |
| | 30 OVER | ± 0.3 | APPROVED BY MSASAO | DATE 2010/09/15 | MATERIAL NO. SEE SHEET 1 | | DOCUMENT NO. SD-503552-007 | | SHEET NO. 2 OF 2 |
| | ANGULAR ± 1 ° | | DRAFT WHERE APPLICABLE MUST REMAIN WITHIN DIMENSIONS | | THIS DRAWING CONTAINS INFORMATION THAT IS PROPRIETARY TO MOLEX INCORPORATED AND SHOULD NOT BE USED WITHOUT WRITTEN PERMISSION | | | | |

注記 NOTES

- 製品詳細寸法については製品単体図面を参照下さい。
RE DETAILED DIMENSION, SEE PRODUCT DRAWING.
- 梱包数量：3000 個/リール
NUMBER OF CONNECTORS : 3000PCS/REEL
- リードテープ長さ LEAD TAPE LENGTH

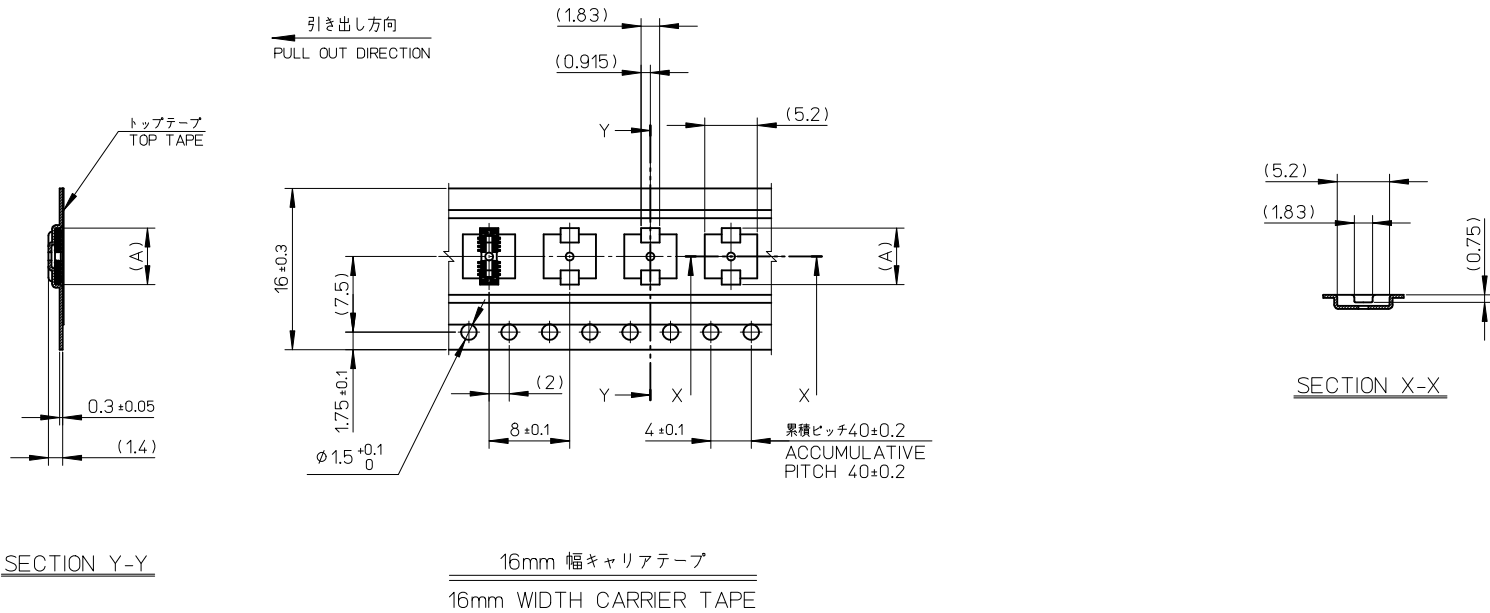


- トップテープの剥離強度：0.1N~1.3N(10gf~130gf)
(剥離方向は下図参照)
尚、本規格値は出荷時に適用。(但し、輸送時に剥離が発生しないこと。)
PEELING OFF FORCE OF TOP TAPE : 0.1N~1.3N(10gf~130gf)
(PEELING DIRECTION AS SHOWN IN FOLLOWING FIG.)
THIS REQUIREMENT SHOULD BE APPLIED AT SHIPMENT.
PEEL OFF SHOULD NOT BE ALLOWED, DURING TRANSPORTION.



- 材料 MATERIAL
キャリアテープ (CARRIER TAPE) : ポリスチレン (POLYSTYRENE)
トップテープ (TOP TAPE) : PET , OTHER
リール (REEL) : ポリスチレン (PS) <リサイクル材を含む>
POLYSTYRENE (PS) <RECYCLE MATERIAL CONTAINED>
- ELV 及び RoHS適合品
ELV AND RoHS COMPLIANT

| | | | | | | | |
|--|--|---------------------------|----------------------------|---|--|------------------------|--|
| RELEASED EC NO: J2011-0380 DRWN:NAITO 2010/09/10 CHKD:RTAKEUCHI 2010/09/10 APPR:MSASAO | GENERAL TOLERANCES (UNLESS SPECIFIED) | | DIMENSION STYLE MM ONLY | | SCALE | DESIGN UNITS METRIC | MODEL NO. 503552-**20 |
| | 10 UNDER | ± --- | DRAWN BY RTAKEUCHI | DATE 2010/02/08 | TITLE 0.4 B-TO-B CONN. HGT=0.7 HI-RETENTION PLUG ASSY CHECKER TYPE EMBSTP PKG | MOLEX INCORPORATED | THIRD ANGLE PROJECTION DOCUMENT NO. SD-503552-008 SHEET NO. 1 OF 2 |
| | 10 OVER 30 UNDER | ± --- | CHECKED BY THIRATA | DATE 2010/02/08 | | | |
| | 30 OVER | ± --- | APPROVED BY MSASAO | DATE 2010/02/08 | | | |
| ANGULAR | ± --- ° | MATERIAL NO. SEE CHART | | | | | |
| 0 | DRAFT WHERE APPLICABLE MUST REMAIN WITHIN DIMENSIONS | | SIZE A3 | THIS DRAWING CONTAINS INFORMATION THAT IS PROPRIETARY TO MOLEX INCORPORATED AND SHOULD NOT BE USED WITHOUT WRITTEN PERMISSION | | | |



| | | | | | |
|--------------------------------|------|------|--------------|--------------|-----|
| 16 | 21.4 | 17.4 | 5.21 | 503552-1880 | 18 |
| | | | 4.81 | 503552-1680 | 16 |
| | | | 4.41 | 503552-1480 | 14 |
| | | | 4.01 | 503552-1280 | 12 |
| | | | 2.81 | 503552-0680 | 6 |
| キャリアテープ幅 CARRIER TAPE WIDTH | | | C | B | (A) |
| | | | MATERIAL No. | CKT. | |
| | | | MODEL No. | 503552-***80 | |

| | | | | | | | | |
|---|---------------------------------------|--------------|----------------------------|---|---|------------------------|------------------------|--------|
| RELEASED EC NO: J2011-0380 DRW: NAITO 2010/09/10 CHK: RTAKEUCHI 2010/09/10 APPR: MSASAO | GENERAL TOLERANCES (UNLESS SPECIFIED) | | DIMENSION STYLE MM ONLY | | SCALE | DESIGN UNITS METRIC | THIRD ANGLE PROJECTION | |
| | 10 UNDER | ± --- | DRAWN BY | DATE | TITLE | | | |
| | 10 OVER 30 UNDER | ± --- | RTAKEUCHI | 2010/02/08 | 0.4 B-TO-B CONN. HGT=0.7 HI-RETENTION PLUG ASSY CHECKER TYPE EMBSTP PKG | | | |
| | 30 OVER | ± --- | THIRATA | 2010/02/08 | MOLEX INCORPORATED | | | |
| | ANGULAR | ± --- ° | APPROVED BY | DATE | DOCUMENT NO. | | SHEET NO. | |
| DRAFT WHERE APPLICABLE MUST REMAIN WITHIN DIMENSIONS | | MSASAO | 2010/02/08 | SEE CHART | | SD-503552-008 | | 2 OF 2 |
| 0 | | MATERIAL NO. | | THIS DRAWING CONTAINS INFORMATION THAT IS PROPRIETARY TO MOLEX INCORPORATED AND SHOULD NOT BE USED WITHOUT WRITTEN PERMISSION | | | | |