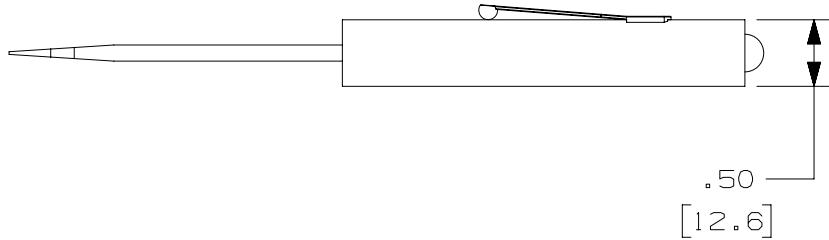
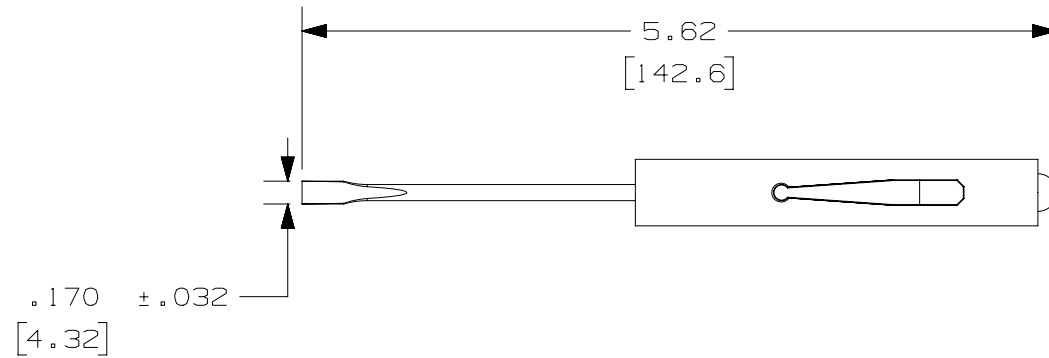


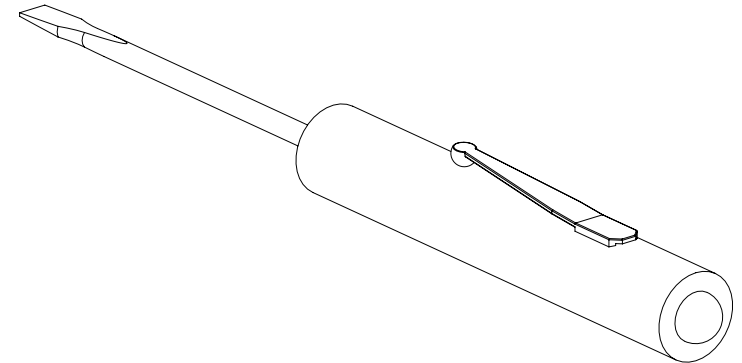
THIS COPY IS PROVIDED ON A RESTRICTED BASIS AND IS NOT TO BE USED IN ANY WAY DETRIMENTAL TO THE INTERESTS OF PANDUIT CORP.



PANDUIT P/N	WEIGHT
FSCDVR	.034 LB/EA 15.60 g/EA

NOTES:

1. SEE CURRENT CATALOG FOR ADDITIONAL PART SUFFIXES TO INDICATE PACKAGE QUANTITY.
2. USED TO TAKE COVERS OFF JACK HOUSING TO ACCESS JACK FERRULE ASSEMBLY.
3. DIMENSIONS IN [] ARE IN METRIC.
4. SCREWDRIVER HAS WHITE COLOR HANDLE WITH GREEN PRINTING.



PART NUMBER		FSCDVR	
TITLE			
POCKET SCREWDRIVER WITH FLATHEAD SHAFT			
CUSTOMER DRAWING			
ITEM REVISION NAME		D35560EV/00	
DATASET FILE NAME		D35560EV_DC_SCREWDVR/00A	
UNLESS OTHERWISE SPECIFIED, DIMENSIONAL TOLERANCES ARE: IN [mm]		MATERIAL:	
.x ± .xxx ± .010 [.3]			
.xx ± .03 [.8]		DRAWING NUMBER:	
ANGLES ±		35560 - 99	
THIRD ANGLE PROJECTION			
DRAWN BY	DATE	CHK	SCALE
JBA	07-01-97	CEF	NONE
SHT 1 OF 1			SIZE
			A

REV	DATE	BY	CHK	APR	DESCRIPTION	ECN
2	3/3/15	JSP	WJM	RWB	A. UPDATED DRAWING TITLE BLOCK.	35560-99

D101000DA/14