

Customer Information Sheet

DRAWING No.: M50-361XX42R

SHEET 3 OF 4

IF IN DOUBT - ASK

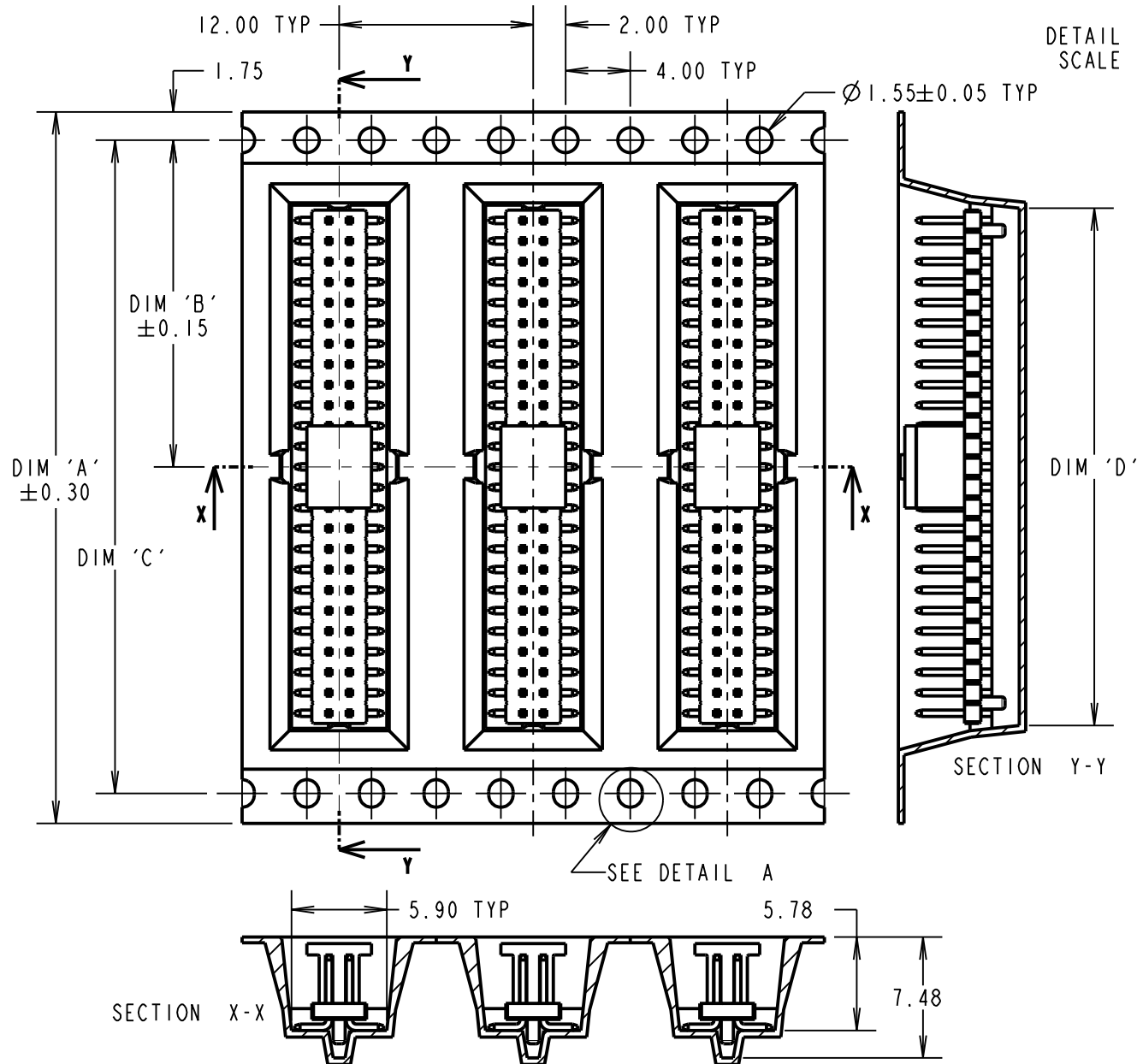
©

NOT TO SCALE

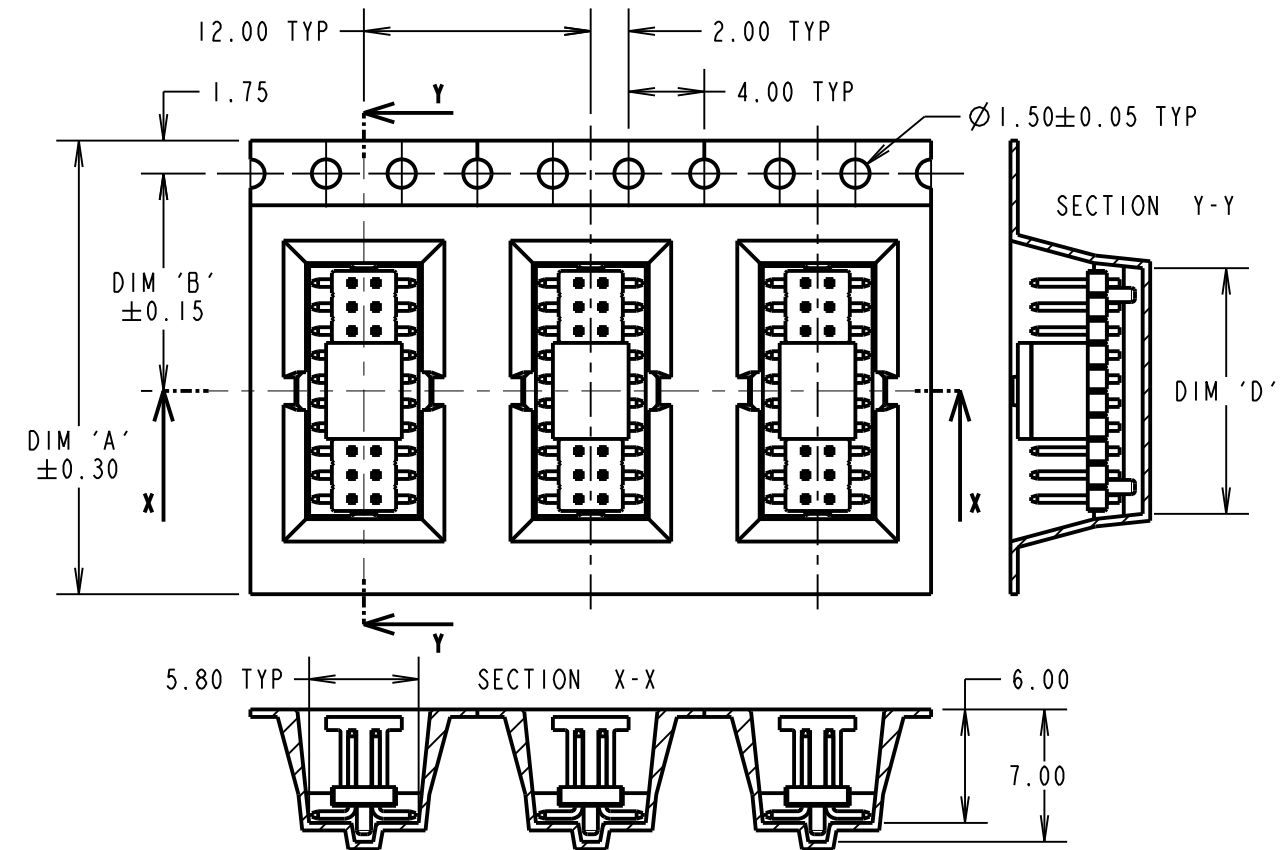
THIRD ANGLE PROJECTION

ALL DIMENSIONS IN mm

TAPE DETAILS FOR 20 & 25 WAYS



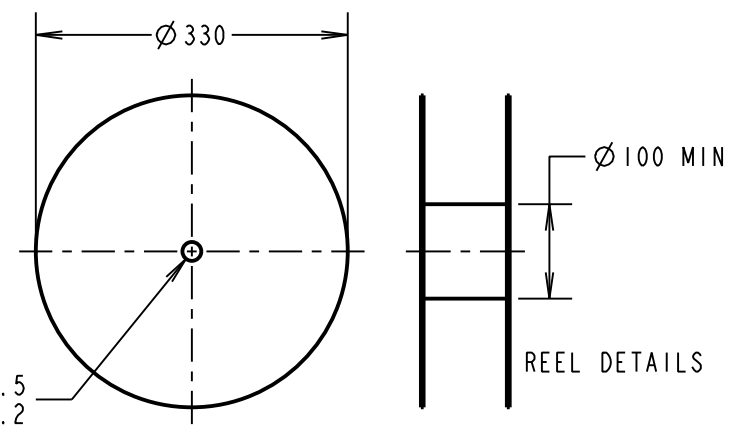
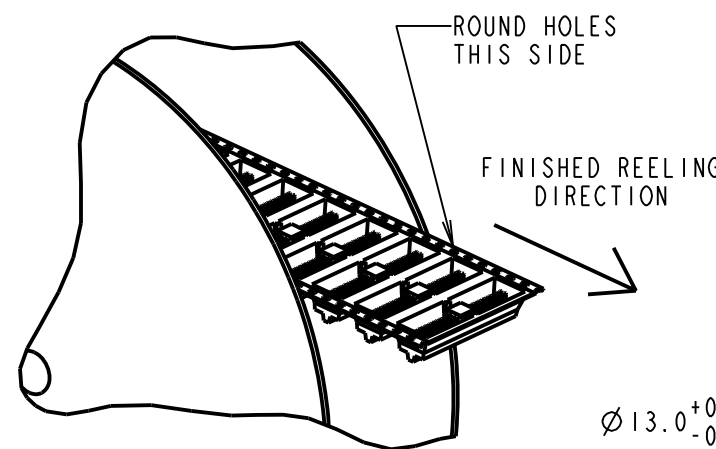
TAPE DETAILS FOR 05, 06, 07, 08 & 10 WAYS



ORDER CODE:
M50-361XX42R
 No. OF CONTACTS PER ROW: _____
 05, 06, 07, 08, 10, 20, 25
 FINISH: _____
 42 = SELECTIVE GOLD & 100% TIN OVER NICKEL

REELED PART No.	DIM 'A'	DIM 'B'	DIM 'C'	DIM 'D'	REEL QTY
M50-3610542R	16.00	7.50	N/A	6.67	700
M50-3610642R				7.94	
M50-3610742R	24.00	11.50		9.21	
M50-3610842R				10.48	
M50-3611042R				13.02	
M50-3612042R	44.00	20.20	40.40	25.72	
M50-3612542R	56.00	26.20	52.40	32.07	

- NOTES:
- CUMULATIVE TOLERANCES OVER 10 PITCHES = ±0.20mm
 - TAPE & REELING IS IN GENERAL ACCORDANCE WITH EIA-481 (ELECTRONIC INDUSTRIES ASSOCIATION).
 - FOR CONNECTOR DETAILS SEE SHEET 4.



SB	2	14.01.16	13241
NAME	ISS.	DATE	C/NOTE
APPROVED: S.BENNETT			
CHECKED: M.PERREN			
DRAWN: M.PERREN			
CUSTOMER REF.:			
ASSEMBLY DRG:			

HARWIN
 www.harwin.com
 technical@harwin.com

THIS DRAWING AND ANY INFORMATION OR DESCRIPTIVE MATTER SET OUT HEREON ARE CONFIDENTIAL AND COPYRIGHT PROPERTY OF THE HARWIN GROUP AND MUST NOT BE DISCLOSED, LOANED, COPIED OR USED FOR MANUFACTURING, TENDERING OR FOR ANY OTHER PURPOSE WITHOUT THEIR WRITTEN PERMISSION.

TOLERANCES
 X. = ±1mm
 X.X = ±0.50mm
 X.XX = ±0.10mm
 X.XXX = ±0.01mm
 ANGLES = ±5°
 UNLESS STATED

MATERIAL:
 SEE ABOVE
 FINISH: SEE ABOVE
 S/AREA: mm²

TITLE: 1.27mm PITCH DIL SMT VERT LOW PROFILE SOCKET ASSY WITH LOCATING PEGS (TAPE & REEL)
 DRAWING NUMBER:
M50-361XX42R
 SHT 3 OF 4

Customer Information Sheet

DRAWING No.: M50-361XX42R

SHEET 4 OF 4

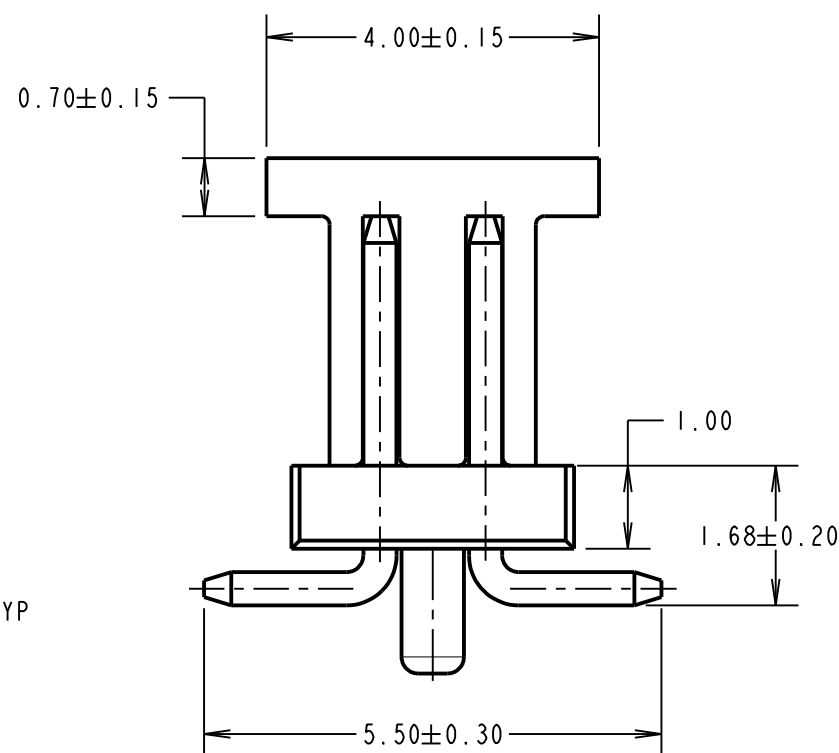
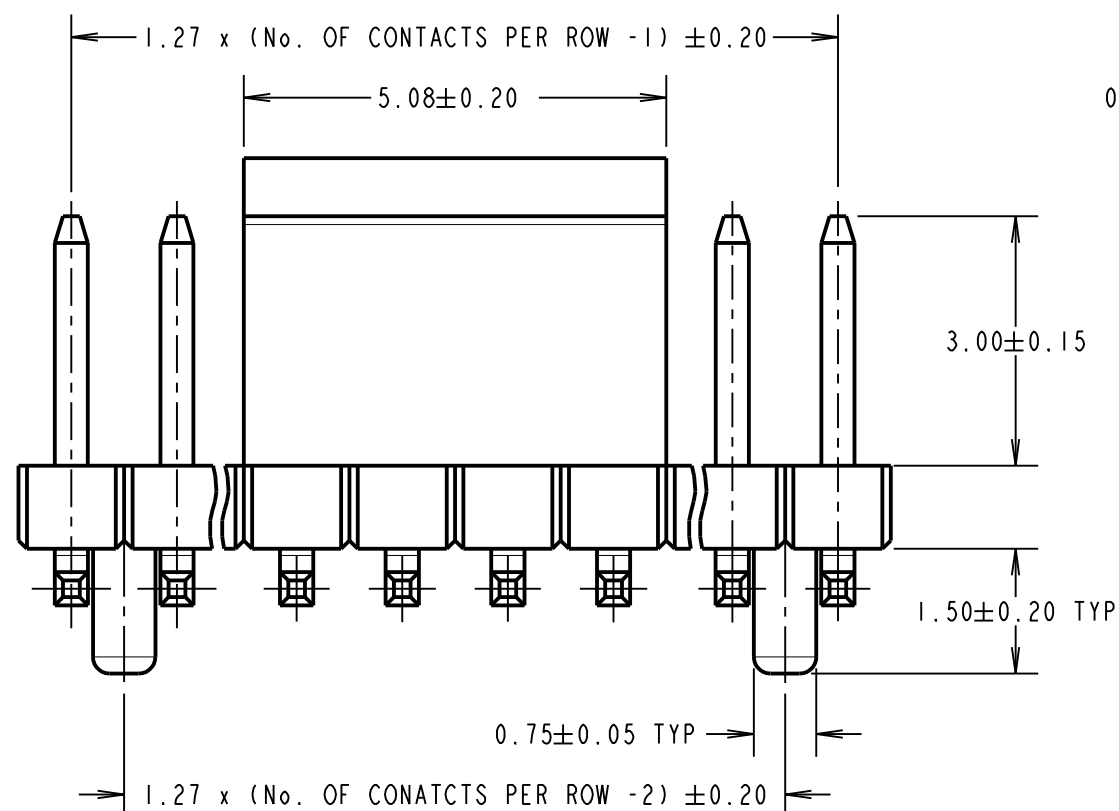
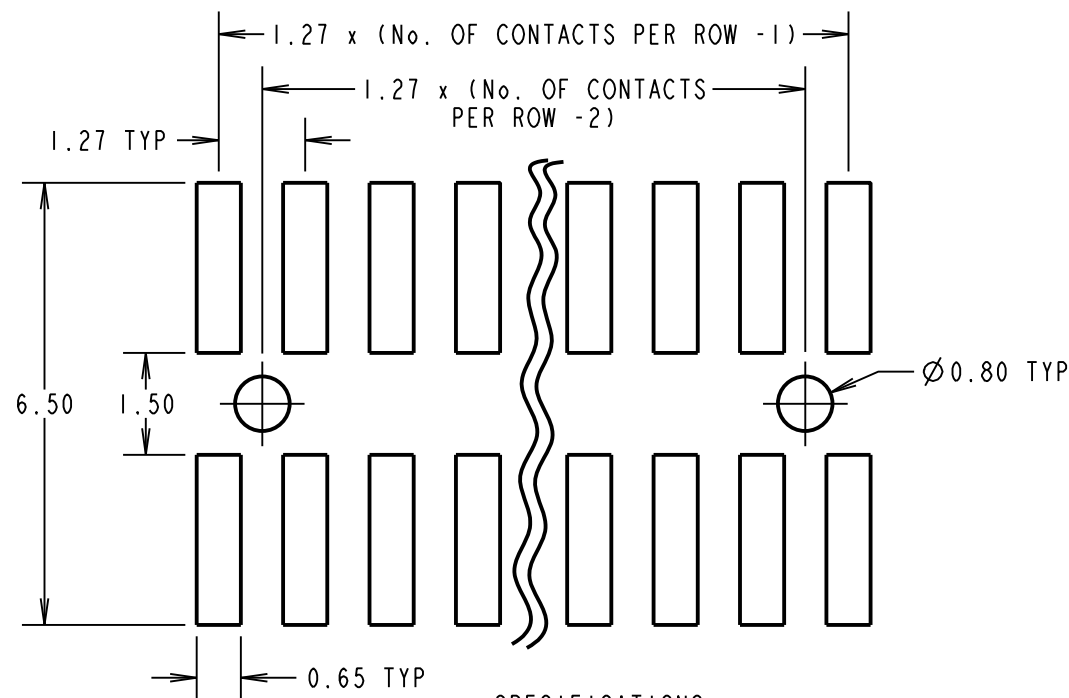
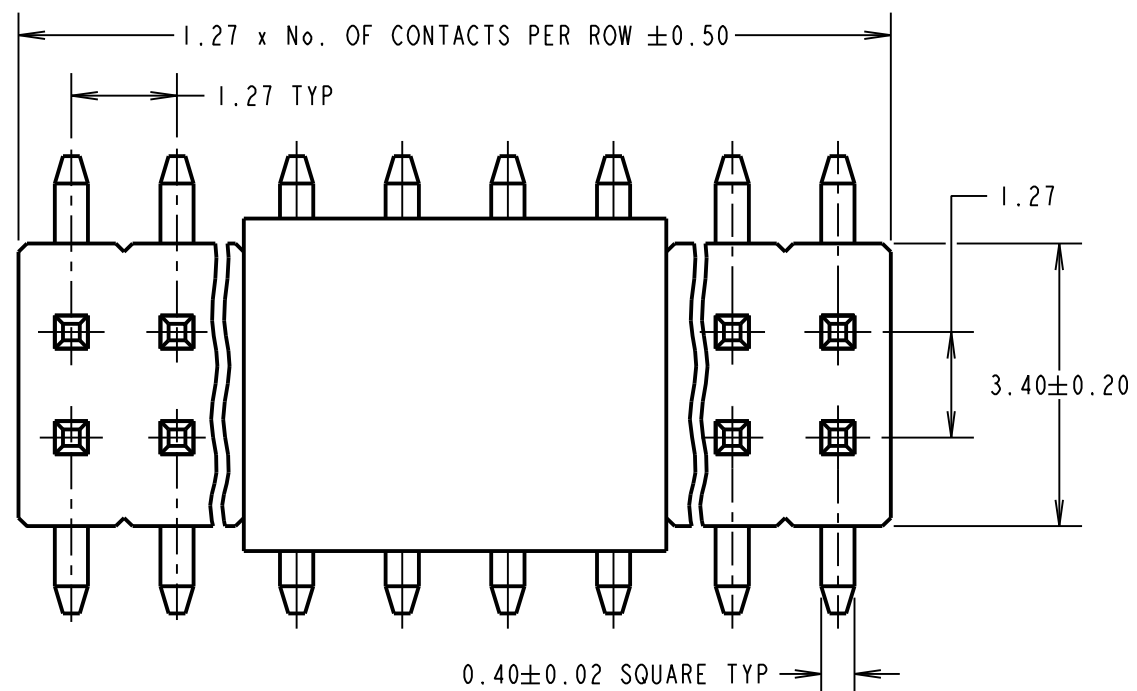
IF IN DOUBT - ASK

©

NOT TO SCALE

THIRD ANGLE PROJECTION

ALL DIMENSIONS IN mm



SPECIFICATIONS:

MATERIAL:
 MOULDING = HIGH TEMP THERMOPLASTIC, UL94V-0, BLACK
 CONTACTS = BRASS
FINISH:
 CONTACTS = 0.76 TO 2.03µ NICKEL ALL OVER, 0.02 TO 0.08µ GOLD ON CONTACT AREA, 2.03 TO 5.08µ 100% TIN ON TAILS

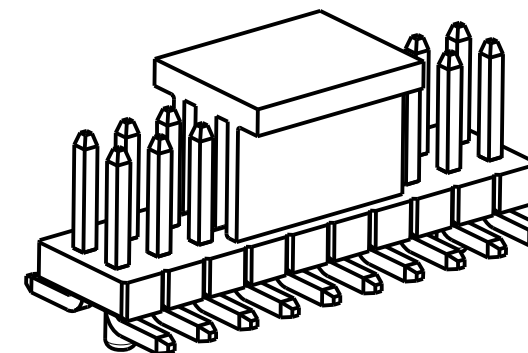
ELECTRICAL:
 CURRENT RATING = 1A
 CONTACT RESISTANCE = 20mΩ MAX
 INSULATION RESISTANCE = 1000MΩ MIN
 DIELECTRIC WITHSTANDING = 500V AC FOR ONE MINUTE

VOLTAGE RATING = 250V AC/DC

MECHANICAL:
 DURABILITY = 300 CYCLES MIN

ENVIRONMENTAL:
 TEMPERATURE RANGE = -55°C TO +105°C

PACKING:
 BOX
 FOR COMPLETE SPECIFICATION, SEE COMPONENT SPECIFICATION C029XX (LATEST ISSUE)



SB	2	14.01.16	13241
NAME	ISS.	DATE	C/NOTE
APPROVED:	S.BENNETT		
CHECKED:	M.PERREN		
DRAWN:	M.PERREN		
CUSTOMER REF.:			
ASSEMBLY DRG:			

ORDER CODE:

M50-361XX42R

No. OF CONTACTS PER ROW: _____
 05, 06, 07, 08, 10, 20, 25

FINISH: _____
 42 = SELECTIVE GOLD & 100% TIN OVER NICKEL

NOTES:

- CO-PLANARITY OF TAILS = 0.15mm.
- FOR TAPE AND REEL DETAILS, SEE SHEET 3.

HARWIN

www.harwin.com
 technical@harwin.com

THIS DRAWING AND ANY INFORMATION OR DESCRIPTIVE MATTER SET OUT HEREON ARE CONFIDENTIAL AND COPYRIGHT PROPERTY OF THE HARWIN GROUP AND MUST NOT BE DISCLOSED, LOANED, COPIED OR USED FOR MANUFACTURING, TENDERING OR FOR ANY OTHER PURPOSE WITHOUT THEIR WRITTEN PERMISSION.

TOLERANCES
 X. = ±1mm
 X.X = ±0.50mm
 X.XX = ±0.10mm
 X.XXX = ±0.01mm
 ANGLES = ±5°
 UNLESS STATED

MATERIAL:
 SEE ABOVE
FINISH: SEE ABOVE
S/AREA: mm²

TITLE: 1.27mm PITCH DIL SMT VERT LOW PROFILE SOCKET ASSY WITH LOCATING PEGS (TAPE & REEL)

DRAWING NUMBER:
M50-361XX42R

SHT
 4 OF 4