





**molex<sup>®</sup>**












**TAPED TERMINAL CRIMP MODULE**  
**Operation Manual**  
**Order No 64016-2000**



- Description
- Operation
- Maintenance

## Safety Warnings and Information

	<p><b>Read and understand</b> all of the instructions and safety information in this manual before operating or servicing this tool.</p> <p style="text-align: center;"><u>Keep this manual available when using this tool.</u></p> <p>Replacement manuals are available for download at no charge at <a href="http://www.molex.com">www.molex.com</a>.</p>
---	---

<h3 style="color: red; margin: 0;">SAFETY ALERT SYMBOL</h3> <p>This symbol is used to call your attention to hazards or unsafe practices which could result in an injury or property damage. The signal word, defined below, indicates the severity of the hazard. The message after the signal word provides information for preventing or avoiding the hazard.</p>	
 <b style="color: red;">DANGER</b>	<p><b style="color: red;">DANGER:</b> Indicates an imminently hazardous situation which, if not avoided, could result in death or serious injury.</p>
 <b style="color: red;">WARNING</b>	<p><b style="color: red;">WARNING:</b> Indicates a potentially hazardous situation which, if not avoided, could result in death or serious injury.</p>
 <b style="color: red;">CAUTION</b>	<p><b style="color: red;">CAUTION:</b> Indicates a potentially hazardous situation which, if not avoided, may result in minor or moderate injury. <b style="color: red;">CAUTION</b> may also be used to alert against unsafe practices associated with events that could lead to personal injury.</p>

 	<p><b style="color: red;">WARNING</b></p> <p><b>Always</b> wear proper eye protection when Operating or servicing this equipment.</p> <p>Failure to wear eye protection could result in serious eye injury from flying debris.</p>		<p><b style="color: red;">WARNING</b></p> <p><b>Heavy Object</b> To avoid muscle strain or back injury, use lifting aids and proper lifting techniques when removing or replacing.</p> <p>Failure to observe these precautions may result in injury or property damage.</p>
 	<p><b style="color: red;">WARNING</b></p> <p><b>Never</b> wear clothing or jewelry that is loose or That could potentially hang into the equipment and get caught.</p> <p>Failure to observe this warning could result in Severe Injury or death.</p>	 	<p><b style="color: red;">WARNING</b></p> <p><b>Never</b> install or service this machine while connected to any electrical power source. Disconnect power by unplugging the press from its power source.</p> <p>Failure to observe this warning could result In severe injury or death.</p>
 	<p><b style="color: red;">WARNING</b></p> <p><b>Never</b> operate, service, install, or adjust this machine without proper instruction and without first reading and understanding the instructions in this manual and all applicable press and/or wire processing machine manuals.</p>	 	<p><b style="color: red;">WARNING</b></p> <p><b>Always</b> hand cycle the module in the equipment to ensure the tooling is properly aligned.</p> <p>Failure to observe these precautions may result in Injury or property damage.</p>

	<p><b>WARNING</b></p> <p><b>Never</b> use this machine without guards or safety devices that are intended to prevent hands from remaining in the die space.</p> <p>Failure to observe this warning could result in Severe injury or death.</p>	<p><b>WARNING</b></p> <p><b>Do not use</b> compressed air to clean this equipment.</p> <p>The forces created by compressed air can force debris into the tool.</p> <p>Failure to observe these precautions may result in injury or property damage.</p>
	<p><b>WARNING</b></p> <p><b>Always</b> wear proper ear protection when Operating or servicing this equipment.</p>	
<p><b>CAUTION</b></p> <p>The Molex crimp module is designed to operate only in the Molex tm-3000 or tm-4000 presses. The Molex module is designed to operate in presses with standard shut heights of 135.80mm (5.346"). Installation in crimp presses with other than standard shut heights can cause severe tool breakage. It is advisable that before installation, a check of the shut height be performed. Molex will not be liable for any damages as a result of installation in a crimp press with nonstandard or improperly set shut height.</p> <p>Failure to observe these precautions may result in injury or property damage.</p>		
<p><b>CAUTION</b></p> <p><b>Never</b> perform any service or maintenance other than as described in this manual.</p> <p><b>Never</b> modify, alter or misuse the equipment</p> <p>Molex crimp specifications are valid only when used with Molex terminals, applicators and tooling.</p> <p>Failure to observe this precaution may result in injury and property damage.</p>		

**Tooling Technical Assistance**

Molex offers tooling technical assistance for customers who may need some guidance for tooling adjustments. This support can be obtained by calling either of the two numbers listed below and asking for the Molex Tooling Group.  
 Call Toll Free 1-800-786-6539 (US) 1-630-969-4550 (Global).

This assistance is limited to the operation and set-up of a customer's Molex Press. Questions with regard to Molex connector products or how to identify the proper tooling and/ or tooling documentation should be directed to your local Molex personnel or Customer Service Representative.

When calling for service on the press a copy of the *Operation Manual* and Specific *Applicator Tooling Specification Sheet* should be present and a person that is familiar with the applicator should be present. Be sure the following information is supplied:

1. Customer name
2. Customer address
3. Person to contact such as (name, title, e-mail, and telephone number)
4. Applicator order number (Lease number also if applicable)
5. Serial number (Lease number also if applicable)
6. Molex Connector product order number
7. Urgency of request
8. Nature of problem

**Molex Application Tooling Group**  
 2200 Wellington Court  
 Lisle, IL 60532, USA  
 Tel: +1 (630) 969-4550  
 Fax: +1 (630) 505-0049

Visit our Web site at <http://www.molex.com>

## Table of Contents

### Contents

TAPED TERMINAL CRIMP MODULE.....	1
Operation Manual.....	1
Order No 64016-2000.....	1
Safety Warnings and Information .....	2
Table of Contents .....	4
Section 1.....	6
General Description.....	6
Principal Mechanical Parts of the Taped Terminal Crimp Module.....	7
1.1 Description .....	8
1.2 Features.....	8
1.3 Technical Specification .....	8
1.4 Delivery Check.....	8
1.5 Tools .....	9
1.6 Specification Sheets.....	9
Section 2.....	10
Set-Up and Operation .....	10
2.1 Shut Height .....	11
2.2 Set-Up.....	12
2.3. Crimp Height Adjustments .....	13
2.4 Crimp Tooling Removal and Installation.....	13
2.5. Crimp Module Adjustments.....	16
2.6 Operation .....	17
Section 3.....	19
Maintenance.....	19
3.1 Cleaning.....	20
3.2 Lubrication.....	20
3.3 Spare Parts .....	20
3.4 Perishable Parts.....	20
3.5 Spare Tooling Storage .....	22
3.6 Module Storage.....	22
Section 4.....	23
4.1 Parts Lists and Assemblies.....	24

Assembly 64016-2000 (Figure 4-1) ..... 24

Parts List 64016-2100 (Figure 4-2) ..... 25

Assembly 64016-2100 (Figure 4-2) ..... 26

Parts List 64016-2200 (Figure 4-3) ..... 27

Assembly 64016-2200 (Figure 4-3) ..... 28

Parts List 64016-2300 (Figure 4-4) ..... 29

Assembly 64016-2300 (Figure 4-4) ..... 30

4.2 Troubleshooting ..... 31

4.3 Press Guard Upgrade ..... 31

Appendix A ..... 37

    Pull Force Testing ..... 38

        A.1 Pull Force Procedure ..... 38

        A.2 Pull Test Problems..... 38

## Section 1

### General Description

- 1.1 Description
- 1.2 Features
- 1.3 Technical Specifications
- 1.4 Delivery Check
- 1.5 Tools
- 1.6 Specification Sheets

### Principal Mechanical Parts of the Taped Terminal Crimp Module

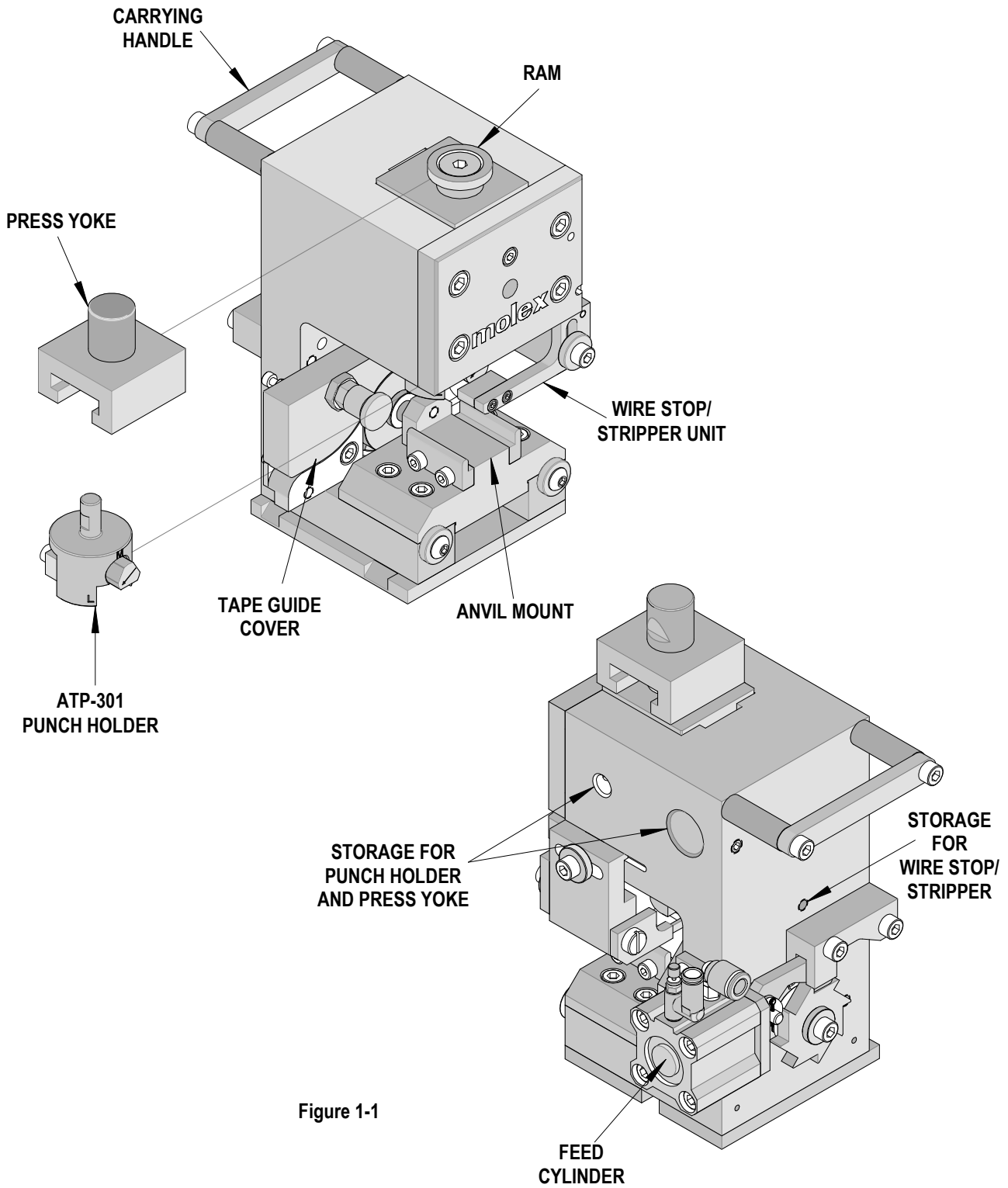


Figure 1-1

## General Description

### 1.1 Description

The taped terminal crimp module provides an effective method of applying a wide range of side feed tape-mounted terminals to pre-stripped discrete wire(s) from 4 to 30 AWG.

The crimp module and press combination replaces the Molex ATP-301 Press (Order No. 19228-0030) and the Molex ATP-201 Press (Order No. 19047-0001).

This crimp module operates only in the Molex TM-3000 and TM-4000 Universal Presses. The crimp module uses quick-change modular tooling, requires little or no adjustments, and is intended for mid-volume to high-volume, semi-automatic operations.

Molex offers the following crimp presses for operating the crimp module:

TM-3000 Universal Press 120V 50-60 Hz. **Order No. 63801-7200**

TM-3000 Universal Press 240V 50-60 Hz. **Order No. 63801-7300**

The TM-3000 should be used for 10-30 AWG terminals.

TM-4000 Universal Press 240V 50-60 Hz. **Order No. 63801-7600**

The TM-4000 should be used for 4-30 AWG terminals.

### 1.2 Features

- Independent adjustment of insulation crimp height.
- Tooling is accessed from the front of the module, simplifying change over.
- No track adjustment is required.
- Compatible with the Molex TM-3000 and TM-4000 Universal Presses only. **It does NOT fit into Molex TM-40, TM-42, or TM-2000 presses.**
- No terminal feed adjustment is required.
- Uses crimp tooling from existing Molex ATP-201 and ATP-301 crimp presses.

### 1.3 Technical Specification

#### Dimensions

##### Crimp Module Only

Width: 140mm (5.5")

Depth: 136mm (5.3")

Height: 175mm (6.9")

(ram down)

Weight 4.1kgf (9lbf)

#### Guarding

The crimp module is intended to be used with the guards supplied on the TM-3000 or TM-4000 Universal Press.

A special retrofit guard kit is available when the crimp module is installed on earlier TM-3000 press models. See Section 4.3.



**Caution: DO NOT operate the crimp module without press guards in place.**

### 1.4 Delivery Check

Carefully remove the crimp module from its shipping container and determine that the following items are included in the package.

Crimp Module	1
Air line Kit	1
Press Guard Kit (if required)	1
Instruction Manual	1

**NOTE:** Terminal crimp tooling is not included with the crimp module and must be ordered separately.



### 1.5 Tools

The following tools are recommended for setup and adjustments to the crimp module:

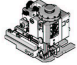
1. Metric standard hex wrench set
2. Inch standard hex wrench set
3. Wire stripper / cutter
4. Crimp Micrometer or caliper

### 1.6 Specification Sheets

Specification sheets are available for all crimp tooling. The specification sheet contains the following:

- ✓ Applicable terminal numbers
- ✓ Wire AWG ranges
- ✓ Insulation diameter ranges
- ✓ Pull Force specification
- ✓ Strip lengths
- ✓ Slug height specification
- ✓ Tooling parts lists and assembly drawings

**Mini-Mex Applicator**  
Application Tooling Specification  
Mechanical Feed-Metal Strip  
Order No. 63881-0100



**FEATURES**

- Strips slugs to meet crimp process and economic wire processing
- Application designed to reduce material waste and slug height of 135.80mm (5.346")
- Conductors and insulation strip allow quick adjustment for conductor and insulation crimp height change
- Quick set-up and change the crimp height, slug and metal adjustments on the tool without removing the applicator from the crimp press

**SCOPE**

Includes: Adaptor 7; Metal Strip 6; Feed Metal Quik-Disconnect Terminals 74-26 AWG

**Tooling**

**Mechanical**

This sheet lists, in imperial and metric, the mechanical properties of the crimped connection. The following chart shows the 10 and 60 government specifications (MIL-17703) for various wire sizes. The tensile strength is shown in pounds and indicates the minimum average force to break or separate the terminal from the conductor.

Color Code	Wire Size (AWG)	16 - 40A	16 - 40A	16 - 40A	16 - 30A	Minimum
		mm	mm	mm	mm	Force (N)
Blue	26	1	0.5	0.5	0.5	10
Blue	28	1	0.5	0.5	0.5	10
Blue	30	1	0.5	0.5	0.5	10
Blue	32	1	0.5	0.5	0.5	10
Blue	34	1	0.5	0.5	0.5	10
Blue	36	1	0.5	0.5	0.5	10
Blue	38	1	0.5	0.5	0.5	10
Blue	40	1	0.5	0.5	0.5	10
Blue	42	1	0.5	0.5	0.5	10
Blue	44	1	0.5	0.5	0.5	10
Blue	46	1	0.5	0.5	0.5	10
Blue	48	1	0.5	0.5	0.5	10
Blue	50	1	0.5	0.5	0.5	10
Blue	52	1	0.5	0.5	0.5	10
Blue	54	1	0.5	0.5	0.5	10
Blue	56	1	0.5	0.5	0.5	10
Blue	58	1	0.5	0.5	0.5	10
Blue	60	1	0.5	0.5	0.5	10

\*16 - 40A - Terminals (Copper conductor only)  
 \*16 - 40A - 100 Ohm, 100 Ohm, 100 Ohm, 100 Ohm, 100 Ohm, and Wire Nuts  
 \*16 - 30A - Quik-Disconnects, Plug and Coupler  
 \*Minimum Force - Military Approved Terminals only as listed

See the numbers and their specifications that this tool is designed to use. Update to this list as needed.

Wire Size	Strip Length	Insulation Diameter	Min. Strip Length
26	1.27	1.02	0.76
28	1.27	1.02	0.76
30	1.27	1.02	0.76
32	1.27	1.02	0.76
34	1.27	1.02	0.76
36	1.27	1.02	0.76
38	1.27	1.02	0.76
40	1.27	1.02	0.76
42	1.27	1.02	0.76
44	1.27	1.02	0.76
46	1.27	1.02	0.76
48	1.27	1.02	0.76
50	1.27	1.02	0.76
52	1.27	1.02	0.76
54	1.27	1.02	0.76
56	1.27	1.02	0.76
58	1.27	1.02	0.76
60	1.27	1.02	0.76

Fig. 1

Fig. 2

Fig. 3

Fig. 4

Fig. 5

Fig. 6

Fig. 7

Fig. 8

Fig. 9

Fig. 10

Fig. 11

Fig. 12

Fig. 13

Fig. 14

Fig. 15

Fig. 16

Fig. 17

Fig. 18

Fig. 19

Fig. 20

Fig. 21

Fig. 22

Fig. 23

Fig. 24

Fig. 25

Fig. 26

Fig. 27

Fig. 28

Fig. 29

Fig. 30

Fig. 31

Fig. 32

Fig. 33

Fig. 34

Fig. 35

Fig. 36

Fig. 37

Fig. 38

Fig. 39

Fig. 40

Fig. 41

Fig. 42

Fig. 43

Fig. 44

Fig. 45

Fig. 46

Fig. 47

Fig. 48

Fig. 49

Fig. 50

Fig. 51

Fig. 52

Fig. 53

Fig. 54

Fig. 55

Fig. 56

Fig. 57

Fig. 58

Fig. 59

Fig. 60

Fig. 61

Fig. 62

Fig. 63

Fig. 64

Fig. 65

Fig. 66

Fig. 67

Fig. 68

Fig. 69

Fig. 70

Fig. 71

Fig. 72

Fig. 73

Fig. 74

Fig. 75

Fig. 76

Fig. 77

Fig. 78

Fig. 79

Fig. 80

Fig. 81

Fig. 82

Fig. 83

Fig. 84

Fig. 85

Fig. 86

Fig. 87

Fig. 88

Fig. 89

Fig. 90

Fig. 91

Fig. 92

Fig. 93

Fig. 94

Fig. 95

Fig. 96

Fig. 97

Fig. 98

Fig. 99

Fig. 100

Fig. 101

Fig. 102

Fig. 103

Fig. 104

Fig. 105

Fig. 106

Fig. 107

Fig. 108

Fig. 109

Fig. 110

Fig. 111

Fig. 112

Fig. 113

Fig. 114

Fig. 115

Fig. 116

Fig. 117

Fig. 118

Fig. 119

Fig. 120

Fig. 121

Fig. 122

Fig. 123

Fig. 124

Fig. 125

Fig. 126

Fig. 127

Fig. 128

Fig. 129

Fig. 130

Fig. 131

Fig. 132

Fig. 133

Fig. 134

Fig. 135

Fig. 136

Fig. 137

Fig. 138

Fig. 139

Fig. 140

Fig. 141

Fig. 142

Fig. 143

Fig. 144

Fig. 145

Fig. 146

Fig. 147

Fig. 148

Fig. 149

Fig. 150

Fig. 151

Fig. 152

Fig. 153

Fig. 154

Fig. 155

Fig. 156

Fig. 157

Fig. 158

Fig. 159

Fig. 160

Fig. 161

Fig. 162

Fig. 163

Fig. 164

Fig. 165

Fig. 166

Fig. 167

Fig. 168

Fig. 169

Fig. 170

Fig. 171

Fig. 172

Fig. 173

Fig. 174

Fig. 175

Fig. 176

Fig. 177

Fig. 178

Fig. 179

Fig. 180

Fig. 181

Fig. 182

Fig. 183

Fig. 184

Fig. 185

Fig. 186

Fig. 187

Fig. 188

Fig. 189

Fig. 190

Fig. 191

Fig. 192

Fig. 193

Fig. 194

Fig. 195

Fig. 196

Fig. 197

Fig. 198

Fig. 199

Fig. 200

Fig. 201

Fig. 202

Fig. 203

Fig. 204

Fig. 205

Fig. 206

Fig. 207

Fig. 208

Fig. 209

Fig. 210

Fig. 211

Fig. 212

Fig. 213

Fig. 214

Fig. 215

Fig. 216

Fig. 217

Fig. 218

Fig. 219

Fig. 220

Fig. 221

Fig. 222

Fig. 223

Fig. 224

Fig. 225

Fig. 226

Fig. 227

Fig. 228

Fig. 229

Fig. 230

Fig. 231

Fig. 232

Fig. 233

Fig. 234

Fig. 235

Fig. 236

Fig. 237

Fig. 238

Fig. 239

Fig. 240

Fig. 241

Fig. 242

Fig. 243

Fig. 244

Fig. 245

Fig. 246

Fig. 247

Fig. 248

Fig. 249

Fig. 250

Fig. 251

Fig. 252

Fig. 253

Fig. 254

Fig. 255

Fig. 256

Fig. 257

Fig. 258

Fig. 259

Fig. 260

Fig. 261

Fig. 262

Fig. 263

Fig. 264

Fig. 265

Fig. 266

Fig. 267

Fig. 268

Fig. 269

Fig. 270

Fig. 271

Fig. 272

Fig. 273

Fig. 274

Fig. 275

Fig. 276

Fig. 277

Fig. 278

Fig. 279

Fig. 280

Fig. 281

Fig. 282

Fig. 283

Fig. 284

Fig. 285

Fig. 286

Fig. 287

Fig. 288

Fig. 289

Fig. 290

Fig. 291

Fig. 292

Fig. 293

Fig. 294

Fig. 295

Fig. 296

Fig. 297

Fig. 298

Fig. 299

Fig. 300

Fig. 301

Fig. 302

Fig. 303

Fig. 304

Fig. 305

Fig. 306

Fig. 307

Fig. 308

Fig. 309

Fig. 310

Fig. 311

Fig. 312

Fig. 313

Fig. 314

Fig. 315

Fig. 316

Fig. 317

Fig. 318

Fig. 319

Fig. 320

Fig. 321

Fig. 322

Fig. 323

Fig. 324

Fig. 325

Fig. 326

Fig. 327

Fig. 328

Fig. 329

Fig. 330

Fig. 331

Fig. 332

Fig. 333

Fig. 334

Fig. 335

Fig. 336

Fig. 337

Fig. 338

Fig. 339

Fig. 340

Fig. 341

Fig. 342

Fig. 343

Fig. 344

Fig. 345

Fig. 346

Fig. 347

Fig. 348

Fig. 349

Fig. 350

Fig. 351

Fig. 352

Fig. 353

Fig. 354

Fig. 355

Fig. 356

Fig. 357

Fig. 358

Fig. 359

Fig. 360

Fig. 361

Fig. 362

Fig. 363

Fig. 364

Fig. 365

Fig. 366

Fig. 367

Fig. 368

Fig. 369

Fig. 370

Fig. 371

Fig. 372

Fig. 373

Fig. 374

Fig. 375

Fig. 376

Fig. 377

Fig. 378

Fig. 379

Fig. 380

Fig. 381

Fig. 382

Fig. 383

Fig. 384

Fig. 385

Fig. 386

Fig. 387

Fig. 388

Fig. 389

Fig. 390

Fig. 391

Fig. 392

Fig. 393

Fig. 394

Fig. 395

Fig. 396

Fig. 397

Fig. 398

Fig. 399

Fig. 400

Fig. 401

Fig. 402

Fig. 403

Fig. 404

Fig. 405

Fig. 406

Fig. 407

Fig. 408

Fig. 409

Fig. 410

Fig. 411

Fig. 412

Fig. 413

Fig. 414

Fig. 415

Fig. 416

Fig. 417

Fig. 418

Fig. 419

Fig. 420

Fig. 421

Fig. 422

Fig. 423

Fig. 424

Fig. 425

Fig. 426

Fig. 427

Fig. 428

Fig. 429

Fig. 430

Fig. 431

Fig. 432

Fig. 433

Fig. 434

Fig. 435

Fig. 436

Fig. 437

Fig. 438

Fig. 439

Fig. 440

Fig. 441

Fig. 442

Fig. 443

Fig. 444

Fig. 445

Fig. 446

Fig. 447

Fig. 448

Fig. 449

Fig. 450

Fig. 451

Fig. 452

Fig. 453

Fig. 454

Fig. 455

Fig. 456

Fig. 457

Fig. 458

Fig. 459

Fig. 460

Fig. 461

Fig. 462

Fig. 463

Fig. 464

Fig. 465

Fig. 466

Fig. 467

Fig. 468

Fig. 469

Fig. 470

Fig. 471

Fig. 472

Fig. 473

Fig. 474

Fig. 475

Fig. 476

Fig. 477

Fig. 478

Fig. 479

Fig. 480

Fig. 481

Fig. 482

Fig. 483

Fig. 484

Fig. 485

Fig. 486

Fig. 487

Fig. 488

Fig. 489

Fig. 490

Fig. 491

Fig. 492

Fig. 493

Fig. 494

Fig. 495

Fig. 496

Fig. 497

Fig. 498

Fig. 499

Fig. 500

Fig. 501

Fig. 502

Fig. 503

Fig. 504

Fig. 505

Fig. 506

Fig. 507

Fig. 508

Fig. 509

Fig. 510

Fig. 511

Fig. 512

Fig. 513

Fig. 514

Fig. 515

Fig. 516

Fig. 517

Fig. 518

Fig. 519

Fig. 520

Fig. 521

Fig. 522

Fig. 523

Fig. 524

Fig. 525

Fig. 526

Fig. 527

Fig. 528

Fig. 529

Fig. 530

Fig. 531

Fig. 532

Fig. 533

Fig. 534

Fig. 535

Fig. 536

Fig. 537

Fig. 538

Fig. 539

Fig. 540

Fig. 541

Fig. 542

Fig. 543

Fig. 544

Fig. 545

Fig. 546

Fig. 547

Fig. 548

Fig. 549

Fig. 550

Fig. 551

Fig. 552

Fig. 553

Fig. 554

Fig. 555

Fig. 556

Fig. 557

Fig. 558

Fig. 559

Fig. 560

Fig. 561

Fig. 562

Fig. 563

Fig. 564

Fig. 565

Fig. 566

Fig. 567

Fig. 568

Fig. 569

Fig. 570

Fig. 571

Fig. 572

Fig. 573

Fig. 574

Fig. 575

Fig. 576

Fig. 577

Fig. 578

Fig. 579

Fig. 580

Fig. 581

Fig. 582

Fig. 583

Fig. 584

Fig. 585

Fig. 586

Fig. 587

Fig. 588

Fig. 589

Fig. 590

Fig. 591

Fig. 592

Fig. 593

Fig. 594

Fig. 595

Fig. 596

Fig. 597

Fig. 598

Fig. 599

Fig. 600

Fig. 601

Fig. 602

Fig. 603

Fig. 604

Fig. 605

Fig. 606

Fig. 607

Fig. 608

Fig. 609

Fig. 610

Fig. 611

Fig. 612

Fig. 613

Fig. 614

Fig. 615

Fig. 616

Fig. 617

Fig. 618

Fig. 619

Fig. 620

Fig. 621

Fig. 622

Fig. 623

Fig. 624

Fig. 625

Fig. 626

Fig. 627

Fig. 628

Fig. 629

Fig. 630

Fig. 631

Fig. 632

Fig. 633

Fig. 634

Fig. 635

Fig. 636

Fig. 637

Fig. 638

Fig. 639

Fig. 640

Fig. 641

Fig. 642

Fig. 643

Fig. 644

Fig. 645

Fig. 646

Fig. 647

Fig. 648

Fig. 649

Fig. 650

Fig. 651

Fig. 652

Fig. 653

Fig. 654

Fig. 655

Fig. 656

Fig. 657

Fig. 658

Fig. 659

Fig. 660

Fig. 661

Fig. 662

Fig. 663

Fig. 664

Fig. 665

Fig. 666

Fig. 667

Fig. 668

Fig. 669

Fig. 670

Fig. 671

Fig. 672

Fig. 673

Fig. 674

Fig. 675

Fig. 676

Fig. 677

Fig. 678

Fig. 679

Fig. 680

Fig. 681

Fig. 682

Fig. 683

Fig. 684

Fig. 685

Fig. 686

Fig. 687

Fig. 688

Fig. 689

Fig. 690

Fig. 691

Fig. 692

Fig. 693

Fig. 694

Fig. 695

Fig. 696

Fig. 697

Fig. 698

Fig. 699

Fig. 700

Fig. 701

Fig. 702

Fig. 703

Fig. 704

Fig. 705

Fig. 706

Fig. 707

Fig. 708

Fig. 709

Fig. 710

Fig. 711

Fig. 712

Fig. 713

Fig. 714

Fig. 715

Fig. 716

Fig. 717

Fig. 718

Fig. 719

Fig. 720

Fig. 721

Fig. 722

Fig. 723

Fig. 724

Fig. 725

Fig. 726

Fig. 727

Fig. 728

Fig. 729

Fig. 730

Fig. 731

Fig. 732

Fig. 733

Fig. 734

Fig. 735

Fig. 736

Fig. 737

Fig. 738

Fig. 739

Fig. 740

Fig. 741

Fig. 742

Fig. 743

Fig. 744

Fig. 745

Fig. 746

Fig. 747

Fig. 748

Fig. 749

Fig. 750

Fig. 751

Fig. 752

Fig. 753

Fig. 754

Fig. 755

Fig. 756

Fig. 757

Fig. 758

Fig. 759

Fig. 760

Fig. 761

Fig. 762

Fig. 763

Fig. 764

Fig. 765

Fig. 766

Fig. 767

Fig. 768

Fig. 769

Fig. 770

Fig. 771

Fig. 772

Fig. 773

Fig. 774

Fig. 775

Fig. 776

Fig. 777

Fig. 778

Fig. 779

Fig. 780

Fig. 781

Fig. 782

Fig. 783

Fig. 784

Fig. 785

Fig. 786

Fig. 787

Fig. 788

Fig. 789

Fig. 790

Fig. 791

Fig. 792

Fig. 793

Fig

## Section 2

### Set-Up and Operation

- 2.1 Shut Height
- 2.2 Setup
- 2.3 Crimp Height Adjustments
- 2.4 Crimp Tooling Installation and Removal
- 2.5 Specific Crimp Module Adjustments
- 2.6 Operation



Read the following instructions before attempting to operate the crimp module.

## 2.1 Shut Height

The Molex Taped Terminal Crimp Module operates only in the TM-3000 and TM-4000 presses with standard shut height of 135.80mm (5.346"). Installation in crimp presses with other than standard shut heights can cause severe tool damage. **Before installing the crimp module, the press shut height must be verified.** The correct shut height is required for proper crimping without causing tool damage.

The shut height of the TM-3000 and the TM-4000 presses are preset at the factory and labeled on the front of the press. Over time, however, the press may wear causing a change in the shut height.

The shut height of the press can be checked with a shut height gauge, which is calibrated under load to achieve the 135.80mm (5.346") measurement. It is recommended that the shut height be checked monthly. A shut height gauge is available from most press manufacturers.



Always turn off and disconnect the power supply to the press.

### Measuring Press Shut Height

1. Disconnect the power supply from the press. Remove the machine guards if necessary.
2. Remove the applicator from the press. Make sure that the bottom of the press ram and quick change mounting plate are free of foreign material.
3. Place the shut height gauge into the press on the press quick change mounting plate. See Figure 2-1.

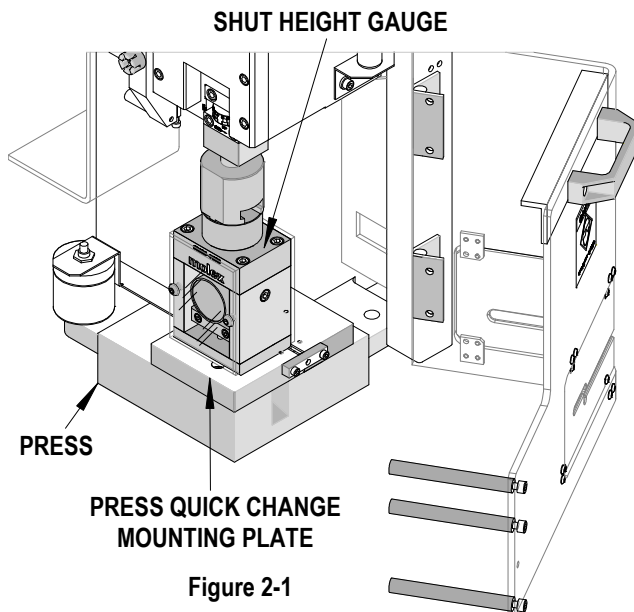


Figure 2-1

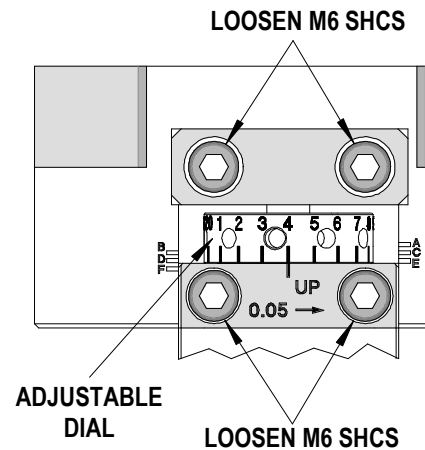


Figure 2-2

4. Manually cycle the press to the full down stroke position. (See the TM-3000 press instructions on manually cycling the press.)
5. Read the shut height measurement from the front of the gauge. Follow gauge manufacturer's instructions; usually the gauge reads "0" at the correct shut height.
6. If shut height adjustment is necessary:
  - a. Loosen the four M6 SHCS on the front of the press.
  - b. Rotate the adjustment dial to the right to raise shut height or to the left to decrease. Dial indicator lines represent increments of .05mm (.002"). See Figure 2-2.
  - c. When adjustment is complete, retighten the four M6 SHCS.
7. Repeat the above steps until the correct shut height is obtained.
8. Shut height gauges must be calibrated on a regular basis.

## 2.2 Set-Up

The principal mechanical parts of the crimp module are illustrated in the assembly drawings (Section 4-1).



**Always** turn off and disconnect the power supply to the press.

### Crimp Module Installation and Removal

1. Turn off the press and disconnect the power. Open the press guard.
2. Clean the quick-change mounting plate of scrap or chips that may interfere with the crimp module installation.
3. Using a 3mm hex wrench, loosen the set screw holding the press yoke. Pull the press yoke straight down and remove it from the press. (Note: a storage hole is provided on right side of the crimp module frame to keep the press yoke)
4. Install the press yoke furnished with the crimp module in the press ram. Tighten the set screw securely.
5. Using a 4mm hex wrench, turn the M5 SHCS clockwise until the locking clamp is fully opened.
6. Visually align the crimp module's base plate slots with the location clamps on the press quick-change mounting plate.
7. Slide the crimp module onto the quick-change mounting plate until the two notches on the left side engage against the stops, and at the same time, guide the ram adapter into the press yoke. See Figure 2-3.
8. To lock the crimp module, turn the M5 SHCS counterclockwise until tight.
9. Connect the air lines from the feed cylinder to the press air valve. The cylinder port closest to the module frame must be connected to the "normally open" valve port. The other cylinder port (with the flow control valve) must be connected to the "normally closed" valve port.
10. Close the press guard.
11. Remove the crimp module by reversing the previous steps. When storing the crimp module, always leave a strip of terminals in the module on the anvils to prevent damage to the tooling. See Section 3.5 Storage.

#### PRESS YOKE

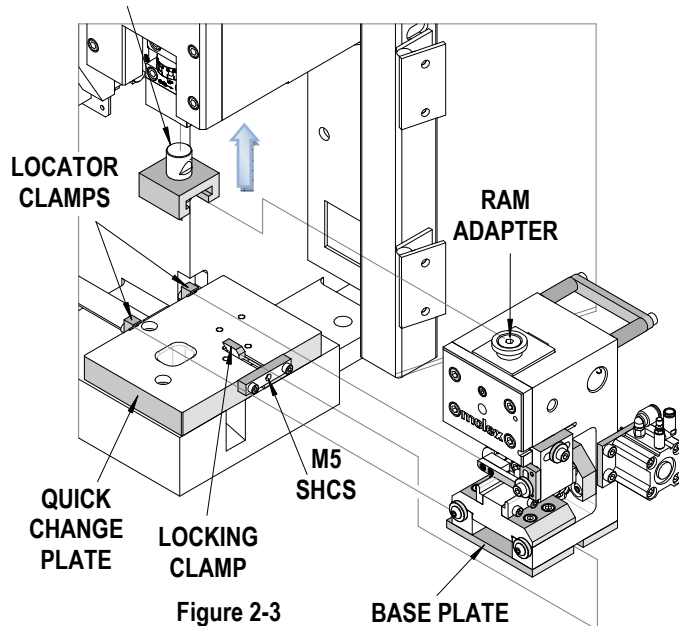


Figure 2-3

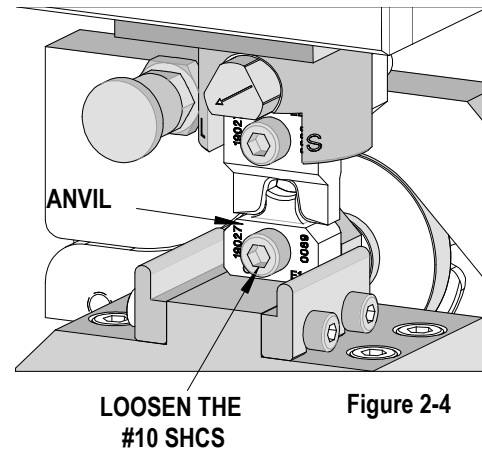


Figure 2-4

#### Punch and Anvil Alignments



**Note:** Always clean mounting surfaces of crimp tooling and tooling holders prior to alignment.



1. Disconnect power from the press and open the machine guard.
2. Using a 5/32" hex wrench, slightly loosen the anvil mounting screw. See Figure 2-4.
3. Slowly hand-cycle the ram of the press to bottom of its stroke. With the punches engaging the anvils, securely tighten the anvil mounting screw to ensure alignment of punches and anvils.
4. Hand cycle the press ram to its up position.
5. Close the machine guard and restore power to the press.

## 2.3. Crimp Height Adjustments

### Conductor Crimp Height Adjustment

1. Obtain a piece of solder, approximately 40mm (1.5") long and approximately 0.5mm (.02") larger in diameter than the crimped slug height. If the solder diameter is too large the crimped slug will have large extrusions, making it difficult to measure the overall slug height.
2. With no terminals in the applicator, lay the solder across the anvils and cycle the press (by hand or under power).
3. Using a crimp micrometer or dial caliper, measure the solder slug height and compare to specification.
4. If adjustments are necessary, turn off the press and open the machine guard.
5. The conductor crimp height is based on the conductor punch contacting the conductor anvil. If the press shut height was correctly set prior to crimp module installation (see section 2.1) there should be no need to adjust conductor crimp height. However, some of the larger terminal crimps may cause minor press frame deflection which can be compensated by adjusting the press shut height. See section 2.1 for shut height adjustment.

**NOTE:** Crimp height adjustments for closed-barrel industrial terminals are always based on solder slug heights, not terminal crimp heights.

1. Load the terminals, close the machine guard, and crimp several wires under power.
2. Perform a pull test on the conductor crimp to verify the mechanical integrity of the crimp. See Appendix A-Pull Force Test.

### Insulation Crimp Height

1. Place a stripped length of the appropriate wire into the terminal and crimp under power.
2. Observe quality of insulation crimp.
3. If adjustments are necessary, turn off the press. Open the machine guard.
4. Using a 5/32" hex wrench, loosen the #10 SHCS holding the punches.
5. Rotate the insulation adjusting cam to achieve the desired insulation height. There are three cam positions (marked L, M, and S) for large, medium, and small diameter wires. The cam must be in one of the three positions; do not adjust it between positions. See Figure 2-5.
6. While holding the punches up against the punch holder, securely tighten the #10 SHCS.
7. Close the machine guards, restore power, and crimp a wire under power. Inspect the insulation crimp and make further adjustments if needed.

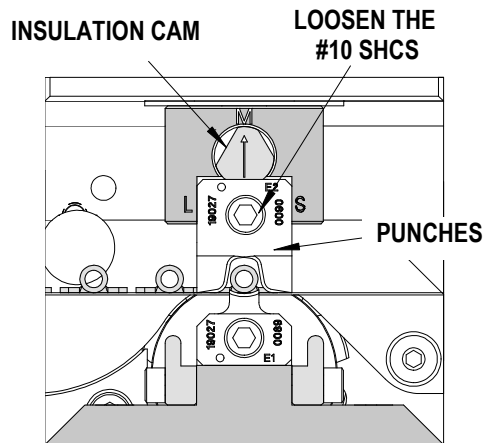


Figure 2-5

**Note:** Due to the large variety of insulation wall thickness, materials, and durometers, Molex does not specify insulation crimp height.

## 2.4 Crimp Tooling Removal and Installation



**Caution:** Always disconnect power before installing or removing tooling.

### Removal and Installation of ATP-301 Style Punches



**NOTE:** Always clean mounting surfaces of crimp tooling and tooling holders prior to installation.

1. Disconnect power from the press. Open the machine guard.
2. If the ram is down, move it manually to the full up position.

3. To remove the punches, use a 5/32" hex wrench to remove the #10 SHCS holding the punches to the punch holder. See Figure 2-6.
4. Remove the screw, punches, and O-ring together. Some tool kits may include a spacer plate (behind the conductor punch).
5. To install, place the punches with the spacer (if used) and O-ring against the punch holder and securely tighten the #10 SHCS. The conductor punch ("E2") goes against the punch holder and the insulation punch ("I2") is stacked on the conductor punch. Make sure the etched "E2" or "I2" on each punch faces outward.



**Note:** The press should be hand-cycled after installing punches to insure a free fit between punch and anvil. If excessive resistance is felt, check for an incorrectly installed punch and/or anvil misalignment.

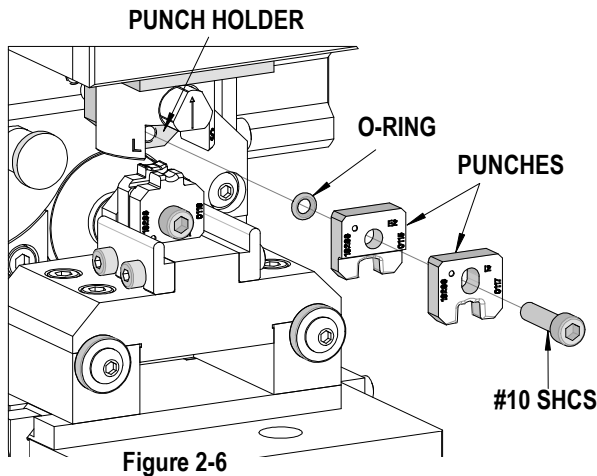


Figure 2-6

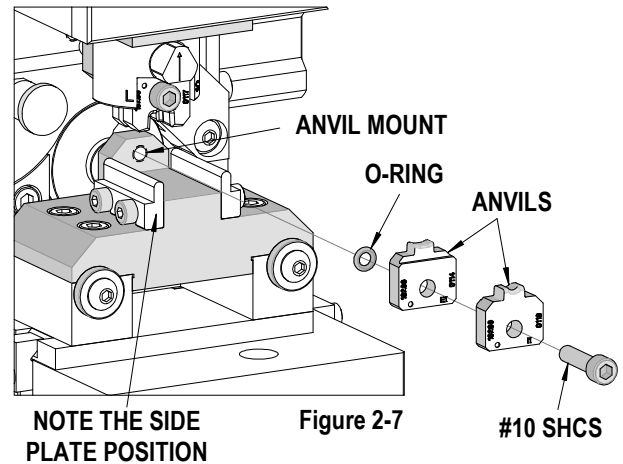


Figure 2-7

#### Removal and Installation of ATP-301 Style Anvils



**NOTE:** Always clean mounting surfaces of crimp tooling and tooling holders prior to installation.

1. Disconnect power from the press. Open the machine guard.
2. If the ram is down, move it manually to the full up position.
3. To remove the anvils, use a 5/32" hex wrench to remove the #10 SHCS holding the anvils to the anvil mount. See Figure 2-7.
4. Remove the screw, anvils, and O-ring together. Some tool kits may include a spacer plate (behind the conductor anvil).
5. To install, place the anvils with the spacer (if used) and O-ring against the anvil mount, leaving the mounting screw slightly loose. The conductor anvil ("E1") is installed first and the insulation anvil ("I1") is stacked onto it. Make sure the etched "E1" or "I1" on each anvil face outward.



**WARNING:** Use the mounting screws that are furnished with the ATP tool kit. The feed mechanism may become damage when using screws that are too long.

6. The side plates must be a close fit to the width of the anvils. For the ATP-301 style anvils, the step on the side plates must be toward the outside. If it is not, loosen the M4 SHCS and reverse the side plate.
7. The anvils must be aligned to the punches before tightening the screws. See section 2.2 (Set Up; Punch and Anvil Alignments).

#### Removal and Installation of ATP-201 Style Punches

1. Disconnect power from the press. Open the machine guard.
2. If the ram is down, move it manually to the full up position.
3. To remove the punch assembly, use a 3mm hex wrench to loosen the set screw on the front of the ram. This screw is accessible through the module's front cover. See Figure 2-8.
4. With the set screw loosened, pull the punch assembly straight down.
5. To install the punch assembly, orient the assembly so the flat on the round stub faces forward. Put the stub into the hole in the bottom of the ram and push the punch assembly up against the bottom of the ram. See Figure 2-9.
6. With the punch assembly in the ram, tighten the set screw securely.



**Note:** The press should be hand-cycled after installing the punch assembly to insure a free fit between punch and anvil. If excessive resistance is felt, check for an incorrectly installed punch and/or anvil misalignment.

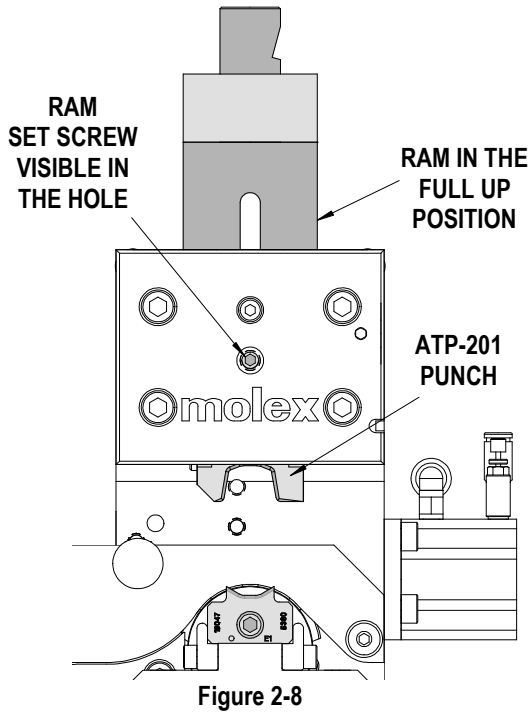


Figure 2-8

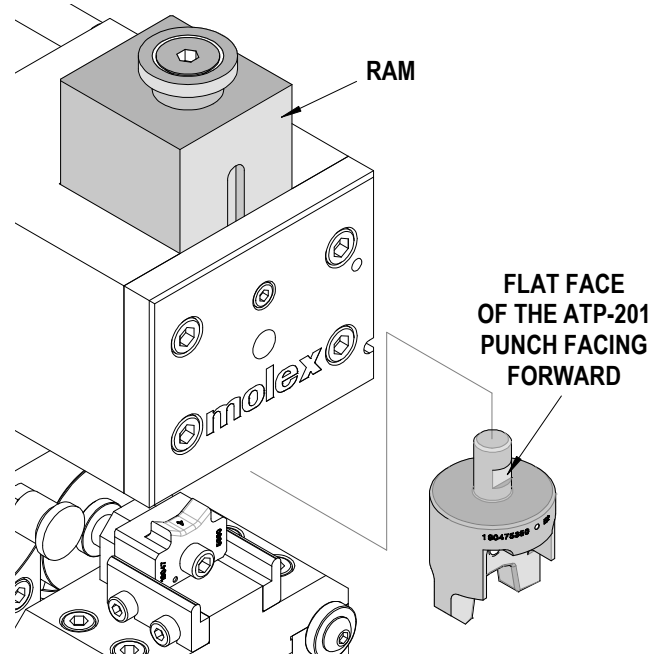


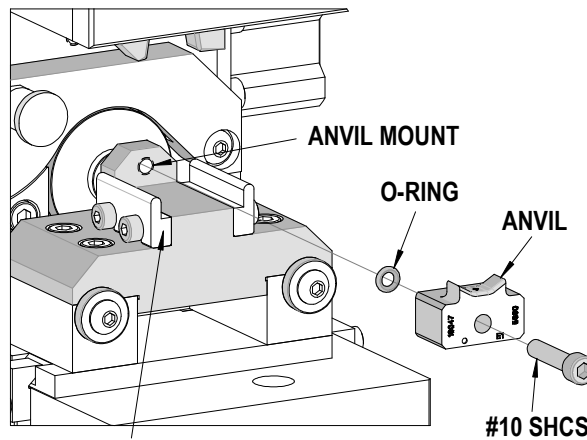
Figure 2-9

**Removal and Installation of ATP-201 Style Anvils**



**Note:** Always clean mounting surfaces of crimp tooling and tooling holders prior to installation.

1. Disconnect power from the press. Open the machine guard.
2. If the ram is down, move it manually to the full up position.
3. To remove the anvils, use a 5/32" hex wrench to remove the #10 SHCS holding the anvils to the anvil mount. See Figure 2-10.



**NOTE THE SIDE PLATE POSITION**

Figure 2-10

4. Remove the screw, anvil(s), and O-ring together.
5. To install, place the anvil(s) and O-ring against the anvil mount, leaving the mounting screw slightly loose. The conductor anvil ("E1") is installed first and the insulation anvil ("I1") is stacked onto it. Make sure the etched "E1" or "I1" on each anvil face outward.



**WARNING:** Use the mounting screws that are furnished with the ATP tool kit. Screws that are too long may damage the feed mechanism.

6. The side plates must be a close fit to the width of the anvils. For the ATP-201 style anvils, the step on the side plates must be toward the inside. If it is not, loosen the M4 SHCS and reverse the side plate.
7. The anvils must be aligned to the punches before tightening the screws. See section 2.2 (Set Up; Punch and Anvil Alignments).



## 2.5. Crimp Module Adjustments

### Terminal Feed Adjustments

The tape feed mechanism is a ratcheting wheel and has no adjustable features.

### Feed Speed Adjustments

Terminal feed speed is controlled by the flow control valve on the feed cylinder. Loosen the locking ring, then turn the adjustment knob clockwise (CW) to reduce the feed speed or counterclockwise (CCW) to increase the feed speed. See Figure 2-11.

Adjustments to the feed speed should be made gradually.

When adjustment is complete, turn the locking ring until it is finger-tight.

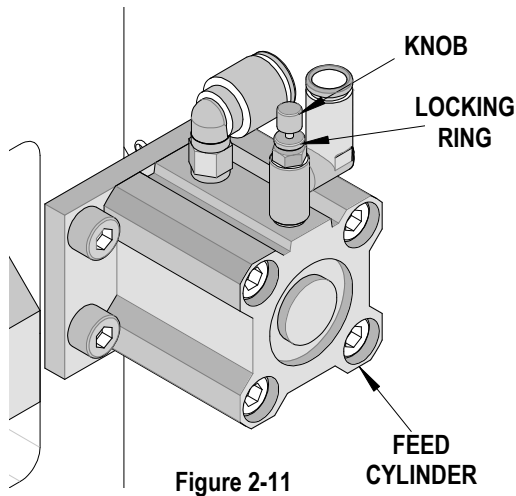


Figure 2-11

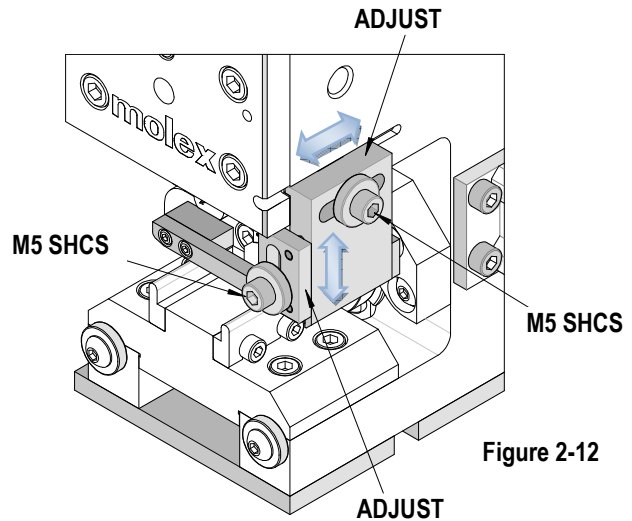


Figure 2-12

### Terminal Stripper Adjustment

Some terminals have a tendency to stick in the conductor punch after being crimped. The terminal stripper is used to shed the terminal away from the retracting punches.

1. Disconnect power from the press. Open the machine guard.
2. If the ram is down, move it manually to the full up position.
3. To adjust the stripper in and out, use a 4mm hex wrench to loosen the M5 SHCS on the side of the stripper. Move the stripper toward the punches, but not too close or it could interfere with the ram stroke. See Figure 2-12. Tighten the M5 SHCS when adjustment is complete.
4. To adjust the stripper up and down, use a 4mm hex wrench to loosen the M5 SHCS on the front of the stripper. Move the stripper down until it is just above the taped terminal on the anvils. See Figure 2-11. Tighten the M5 SHCS when adjustment is complete.

NOTE: If the stripper is adjusted down too far it may interfere with the terminal feed motion.

### Wire Stop Adjustment

The wire stop is used when the terminal being crimped does not have an internal wire stop tab. Some larger ring terminals fall into this category.

1. Disconnect power from the press. Open the machine guard.
2. If the ram is down, move it manually to the full up position.
3. To adjust the wire stop, loosen the M5 SHCS on the side of the stripper. Move the wire stop in or out until it is near the end of the terminal barrel. See Figure 2-13. Tighten the M5 SHCS when adjustment is complete.

NOTE: Since they are mounted to the same block, adjustments to the wire stop will also influence the terminal stripper. To achieve full adjustment of the wire stop, the stripping tool may need to be removed from the block.

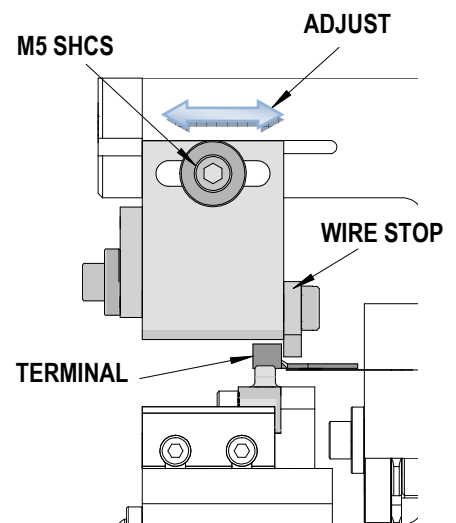


Figure 2-13



## 2.6 Operation

### Loading and Unloading Tape

1. Applicable terminals are listed on the Crimp Tooling Specification Sheet. Do not crimp terminals that are not listed on the Specification Sheet.
2. Disconnect power from the press. Open the machine guard.
3. The tape will be easier to "start" in the track if the corner of the tape is trimmed as shown in Figure 2-14.
4. Open the tape track cover by pulling out the spring-loaded knob and lifting the cover up. A hole is provided in the module frame for the knob's pin to enter to hold the track cover open. See Figure 2-15.
5. Load the taped terminal strip from the front of the module, engaging the slots in the tape with the teeth on the feed wheel. Make sure the terminal is also centered above the crimp anvils. See Figure 2-16.
6. Pull out the spring-loaded knob and lower the track cover, allowing the pin to engage the lower hole.
7. Unloading the tape is the reverse process.

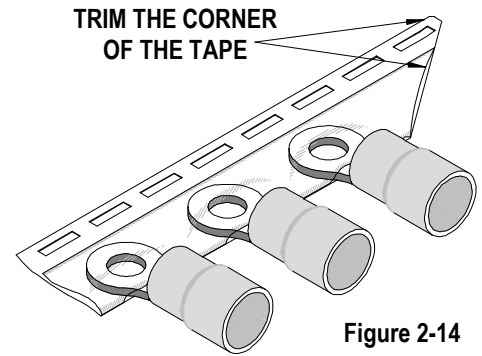


Figure 2-14

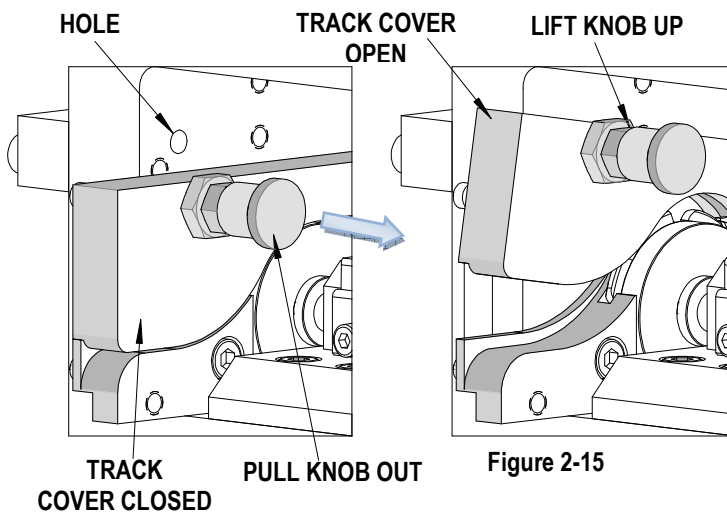


Figure 2-15

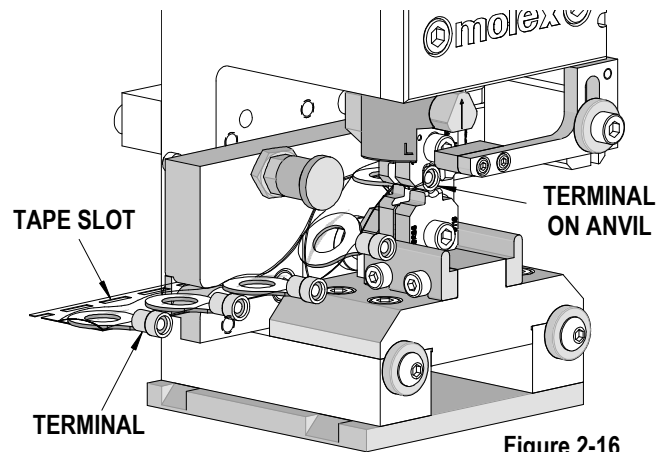


Figure 2-16

### Tape De-Reeling Information

The tape reel should be mounted on the reel arm of the press, with the printed side of the reel facing the operator. The tape de-reels counterclockwise (CCW).

To prevent tape feed jams, the tape should enter the press guard below the bottom horizontal bar. If the tape is threaded between the bars, a terminal may become snagged on the bar during feeding. See Figure 2-17.

While operating the crimp module, the tape entering the press should not become taut. The operator should occasionally turn the terminal reel to maintain a slack loop.

The scrap tape exits below the press guard.

### Removal of Crimped Terminals from Tape

After being crimped, the tape feed will advance the terminal one position to the right. It is the operator's responsibility to remove the crimped terminal from the tape.

If crimped wires are allowed to accumulate on the tape they will eventually cause a tape feed jam.

To prevent tape damage, the terminal should be pulled off the tape towards the operator's right. This sideways action makes it easier for the terminal to break free from the adhesive holding it to the tape.

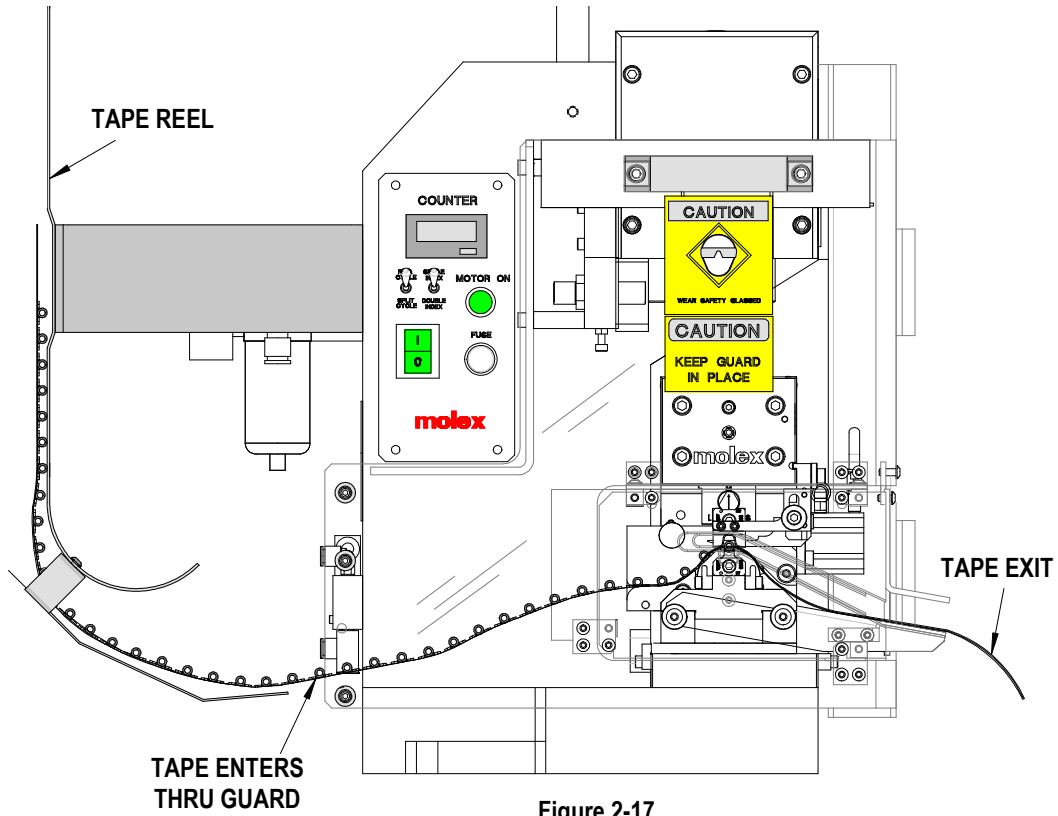


Figure 2-17

## Section 3

### Maintenance

- 3.1 Cleaning
- 3.2 Lubrication
- 3.3 Spare parts
- 3.4 Perishable Parts
- 3.5 Spare Tooling Storage
- 3.6 Module Storage



**CAUTION: Always disconnect power before any maintenance activity**

### 3.1 Cleaning

The crimp module should be cleaned daily. Use a soft bristle brush to remove debris from critical areas such as the crimp tooling and tape track. For best results, remove the tooling from the module. Brush and then use a clean cloth to wipe off the upper and lower tooling mounting areas. Tooling that crimps un-insulated terminals should be inspected for possible plating build-up.

Before reinstalling tooling, wipe all sides of the punches and anvils with a clean cloth.



**Do not use compressed air to clean the applicator. The forces created by compressed air can force debris into the tool.**

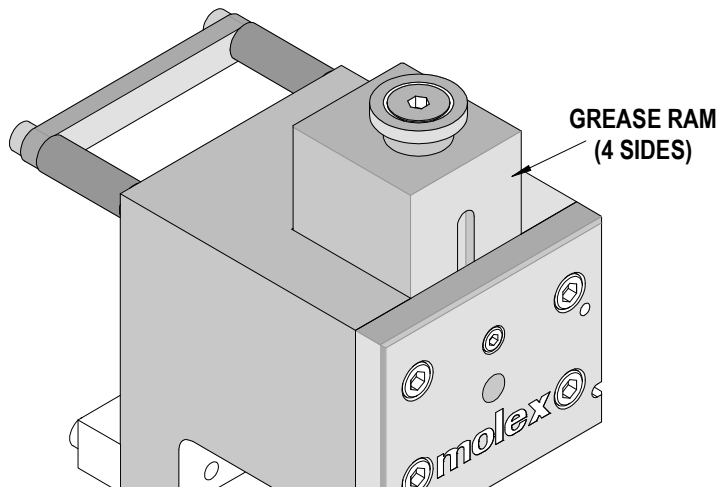
### 3.2 Lubrication

1. Grease the ram path. Lubricate with multipurpose synthetic lubricant with Teflon or an equivalent. Molex ships its applicators pre-greased with Permatex multi-purpose synthetic grease with Teflon No. 82329.
2. The feed wheel is on a pre-lubricated bearing and should require no further lubrication.



**WARNING: Never use penetrants such as WD-40 or Liquid Wrench for any lubrication on the crimp module.**

3. Never lubricate the air cylinder. It is designed to run on dry air.



**Figure 3-1  
RAM LUBRICATION**

### 3.3 Spare Parts

Customers are responsible for maintaining the crimp module. Spare parts are available. Moving and functioning parts can be damaged or wear out over time and will require replacement. Molex recommends that the customer keep some or all spare parts in stock to reduce production down time. These parts are identified in the Parts List. See Section 4.

### 3.4 Perishable Parts

Perishable parts are those parts that come in contact with the product and will wear out over time. Molex recommends that all customers keep at least one set of the perishable tool kits in stock at all times. This will reduce the amount of production down time. **For the proper perishable tool kit information, refer to the Application Tooling Specification Sheet available at Molex.com.**

An example of a maintenance chart is shown below. Copy and use this chart to track the maintenance of the crimp module or use this as a template to create your own schedule or use your company's standard chart, if applicable.

### Preventive Maintenance Chart

**Daily:** Clean. See Section 3.1.

**As Required:** Lubricate. See Section 3.2.

**CHECK SHEET** MONTH \_\_\_\_\_ YEAR \_\_\_\_\_

Week	Daily Cycles	Daily Clean	Days of the Week							Solution
			MON	TUE	WED	THU	FRI	SAT	SUN	
1										
2										
3										
4										
Cleaning Reapply grease Reapply oil	25,000	Yes								Soft Brush Industrial Degreaser
Inspect all tooling and terminal feed for wear	25,000	Yes								Replace if signs of wear.

Schedule should be adjusted up or down depending on usage. Molex recommends that a log of preventive maintenance be kept with the press.

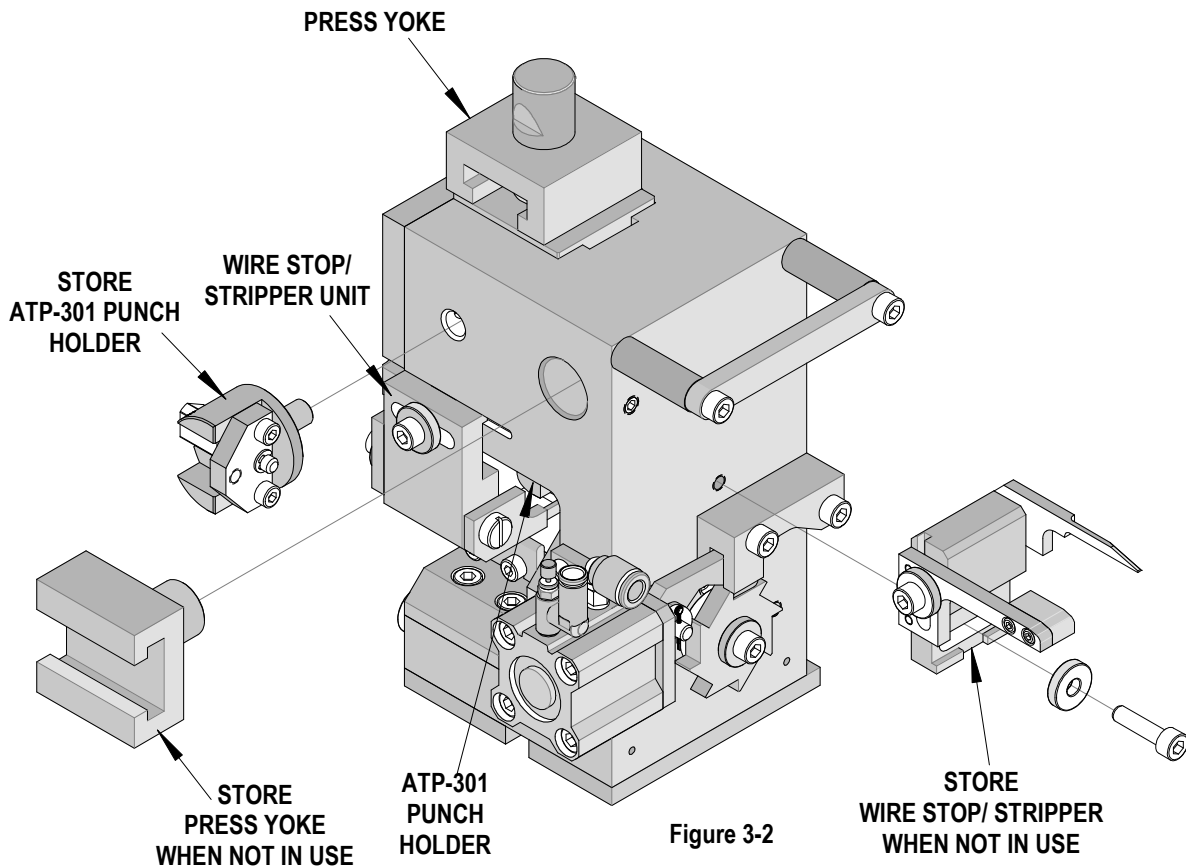


Figure 3-2

### 3.5 Spare Tooling Storage

To prevent unused tools from getting lost, the following on-module storage is available. See Figure 3-2.

- The ATP301 punch holder can be mounted to the side of the frame.
- The press yoke (or yoke from the TM-3000/TM-4000 Press) can be mounted to the side of the frame.
- The wire stop/stripper unit can be mounted to the rear of the frame.

### 3.6 Module Storage

Prior to storage, the crimp module should be thoroughly cleaned and lubricated.

To prevent the bottoming of the ram which can cause damage to the crimp punches and anvils, leave a strip of terminals in the applicator or place a piece of wood or rubber between the punches and the anvils.

## Section 4

- 4.1 Parts Lists and Assembly Drawings
- 4.2 Troubleshooting
- 4.3 Press Guard Upgrade (For earlier TM-3000 presses)

4.1 Parts Lists and Assemblies

Molex Taped Terminal Crimp Module Figure 4-1				
Item	Order No	Description	Quantity	Notes
1	64016-2100	Crimping Module Top Assembly	1	Figure 4-2
2	64016-2200	Crimping Module Track Assembly	1	Figure 4-3
3	64016-2300	Crimping Module Base Plate Assembly	1	Figure 4-4

Assembly 64016-2000 (Figure 4-1)

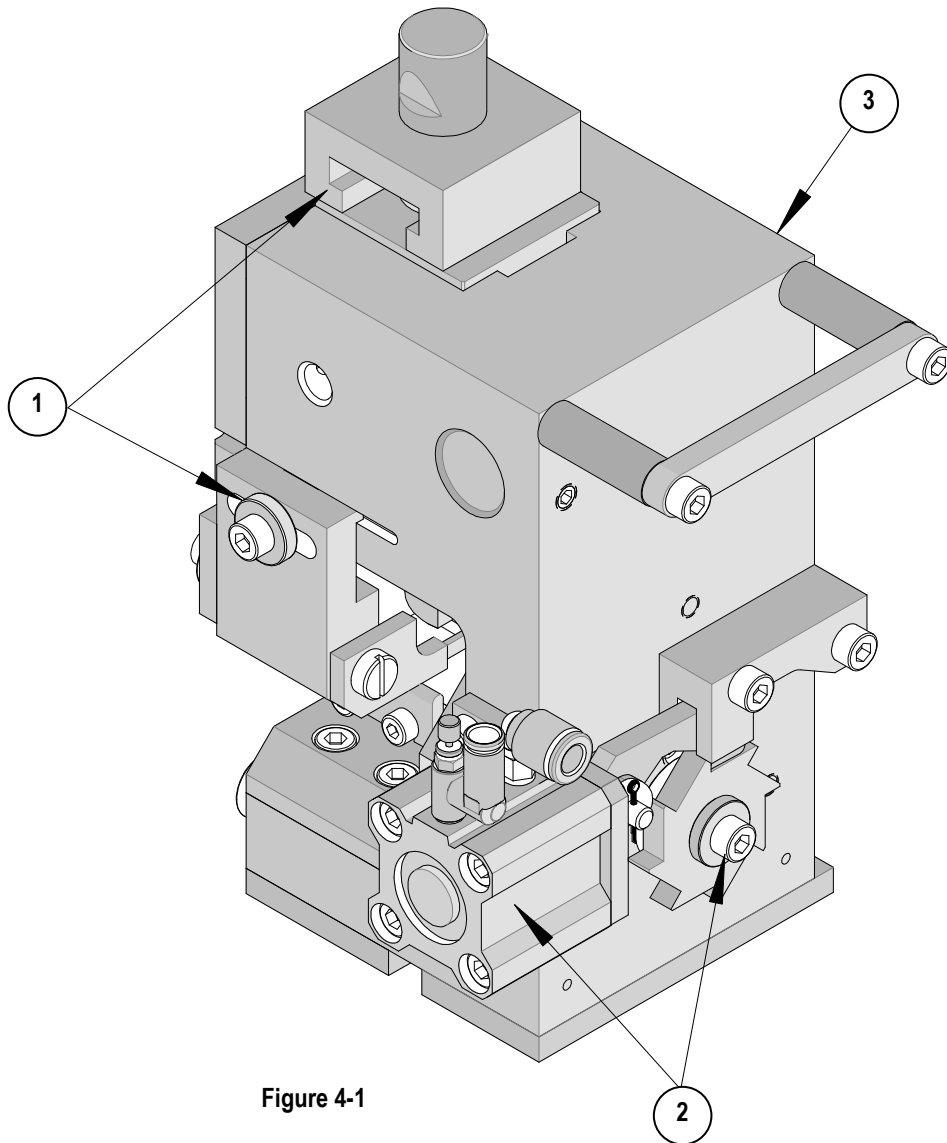


Figure 4-1



## Parts List 64016-2100 (Figure 4-2)

<b>Crimping Module Top Assembly 64016-2100</b>					
<b>Item</b>	<b>Order No</b>	<b>Engineering No.</b>	<b>Description</b>	<b>RSP / PP Parts</b>	<b>Quantity</b>
1	19228-0147	19228-0147	Cam-Insulation Crimp (ATP)		1
2	19228-0240	19228-0240	Back Plate-Upper Punch Hold		1
3	63700-4556	63700-4556	"E"-RING (5/32 Inch)		1
4	63600-3018	63600-3018	Shoulder Bolt		1
5	63600-3025	63600-3025	M5-Hard Washer		2
6	63801-6447	63801-6447	Ram Adapter		1
7	64016-2101	64016-2101	Ram		1
8	64016-2102	64016-2102	Yoke		1
9	64016-2103	64016-2103	301 Punch Holder		1
10	64016-2104	64016-2104	Mount, Wire Stop		1
11	64016-2105	64016-2105	Wire Stop	<b>RSP</b>	1
12	64016-2106	64016-2106	Stripper Arm		1
13	64016-2107	64016-2107	Stripper		1
<b>Hardware</b>					
14	N/A	N/A	M2.5 by 6 Long SHCS		2**
15	N/A	N/A	M4 by 14 Long SHCS		2**
16	N/A	N/A	M5 by 14 Long SHCS		1**
17	N/A	N/A	M5 by 20 Long SHCS		1**
18	N/A	N/A	M8 by 25 Long FHCS		1**
19	N/A	N/A	M6 by 12 Long Set Screw		2**
20	N/A	N/A	3mm by 8 Long Dowel Pin		2**
<b>RSP - Part is a Molex Recommended Spare Part.</b>					
<b>PP - Part is a Perishable Part.</b>					
** Available from an industrial supply company such as MSC (1-800-645-7270).					

Assembly 64016-2100 (Figure 4-2)

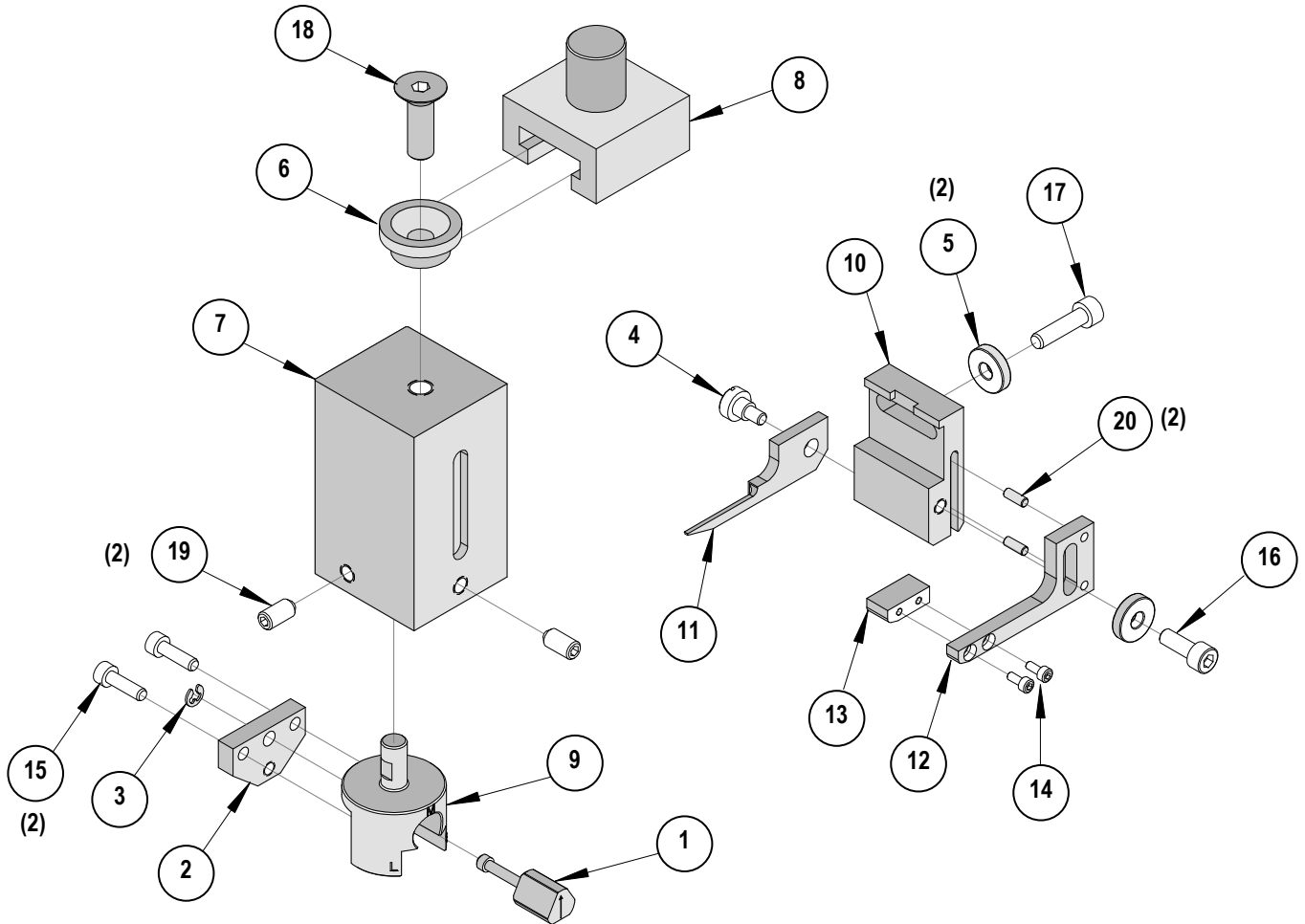


Figure 4-2

## Parts List 64016-2200 (Figure 4-3)

Crimping Module Track Assembly 64016-2200					
Item	Order No	Engineering No.	Description	RSP / PP Parts	Quantity
1	011321058	011321058	Male Elbow Air Fitting		1
2	62500-1584	62500-1584	Flow Control, Cylinder Mount		1
3	63600-3005	63600-3005	Air Cylinder	<b>RSP</b>	1
4	63600-3007	63600-3007	Spacer - Washer		1
5	63600-3008	63600-3008	Indexing Plunger		1
6	63600-3009	63600-3009	Spacer - Washer		1
7	63600-3010	63600-3010	Hinge Pin - Pivot		1
8	63600-3014	63600-3014	Washer		2
9	63600-3016	63600-3016	Ball Plunger	<b>RSP</b>	1
10	63600-3022	63600-3022	Key - 3mm by 3mm by 6mm Long		1
11	63600-3023	63600-3023	Key - 3mm by 3mm by 10mm Long		1
12	63600-3060	63600-3060	Extension Spring		1
13	63600-3093	63600-3093	Collar		1
14	64016-2201	64016-2201	Tape Track Bottom		1
15	64016-2202	64016-2202	Tape Track Top		1
16	64016-2203	64016-2203	Tape Drive Disk		1
17	64016-2204	64016-2204	Tape Index Wheel	<b>RSP</b>	1
18	64016-2205	64016-2205	Tape Drive Shaft		1
19	64016-2206	64016-2206	Ratchet Wheel		1
20	64016-2207	64016-2207	Cam Arm Retainer		1
21	64016-2208	64016-2208	Indexing Cam Arm		1
22	64016-2209	64016-2209	Index Clevis		1
23	64016-2213	64016-2213	Cylinder Mount		1
24	63700-5064	63700-5064	Nylon Tubing		2
Hardware					
25	N/A	N/A	M3 Hex Nut		2**
26	N/A	N/A	M3 by 12 Long SHCS		2**
27	N/A	N/A	M5 by 14 Long SHCS		4**
28	N/A	N/A	M5 by 16 Long BHCS		1**
29	N/A	N/A	M5 by 20 Long SHCS		1**
30	N/A	N/A	M5 by 25 Long SHCS		2**
31	N/A	N/A	M5 by 35 Long SHCS		2**
32	N/A	N/A	M5 by 40 Long SHCS		2**
<b>RSP - Part is a Molex Recommended Spare Part.</b>					
<b>PP - Part is a Perishable Part.</b>					
** Available from an industrial supply company such as MSC (1-800-645-7270).					

Assembly 64016-2200 (Figure 4-3)

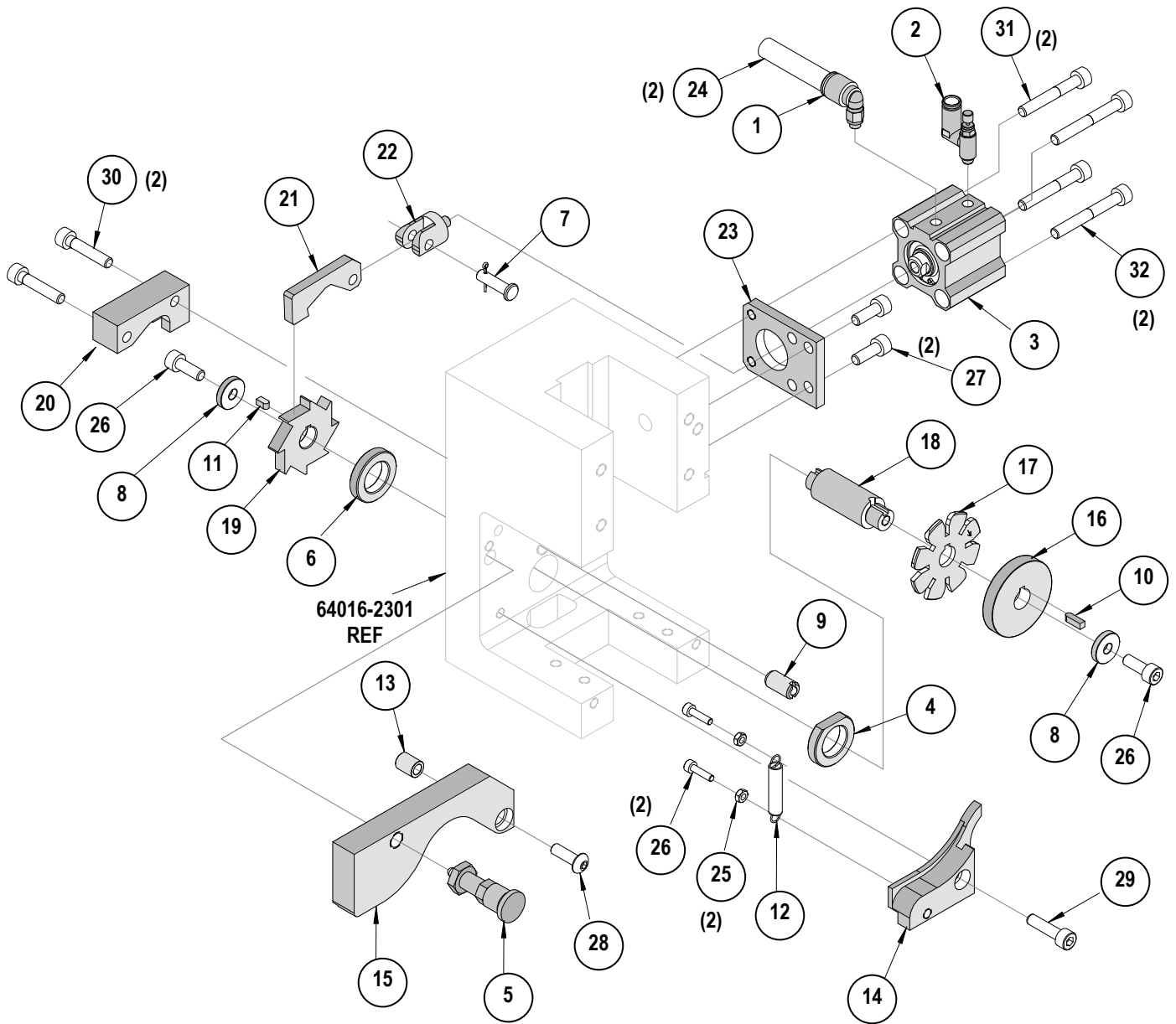


Figure 4-3

## Parts List 64016-2300 (Figure 4-4)

Crimping Module Base Plate Assembly 64016-2300				
Item	Order No	Engineering No.	Description	Quantity
1		63600-2003	Pipe Collar	2
2		63600-2004	Link	1
3		63600-2915	5mm Dowel Pin by 10 Long	2
4		63600-3011	Bushing	1
5		63600-3025	M5 Harder Washer	2
6		64016-2301	Frame	1
7		64016-2302	Side Plate	2
8		64016-2303	Anvil Mount	1
9		64016-2305	Adapter Plate	1
10		64016-2306	Front Cover	1
Hardware				
11	N/A	N/A	M4 by 8 Long SHCS	1**
12	N/A	N/A	M4 by 12 Long SHCS	4**
13	N/A	N/A	M5 by 12 Long BHCS	6**
14	N/A	N/A	M5 by 16 Long SHCS	4**
15	N/A	N/A	M5 by 45 Long SHCS	2**
16	N/A	N/A	M6 by 12 Long Set Screw	2**
17	N/A	N/A	M6 by 14 Long SHCS	4**
18	N/A	N/A	M8 by 8 Long Set Screw	1**
** Available from an industrial supply company such as MSC (1-800-645-7270).				

Assembly 64016-2300 (Figure 4-4)

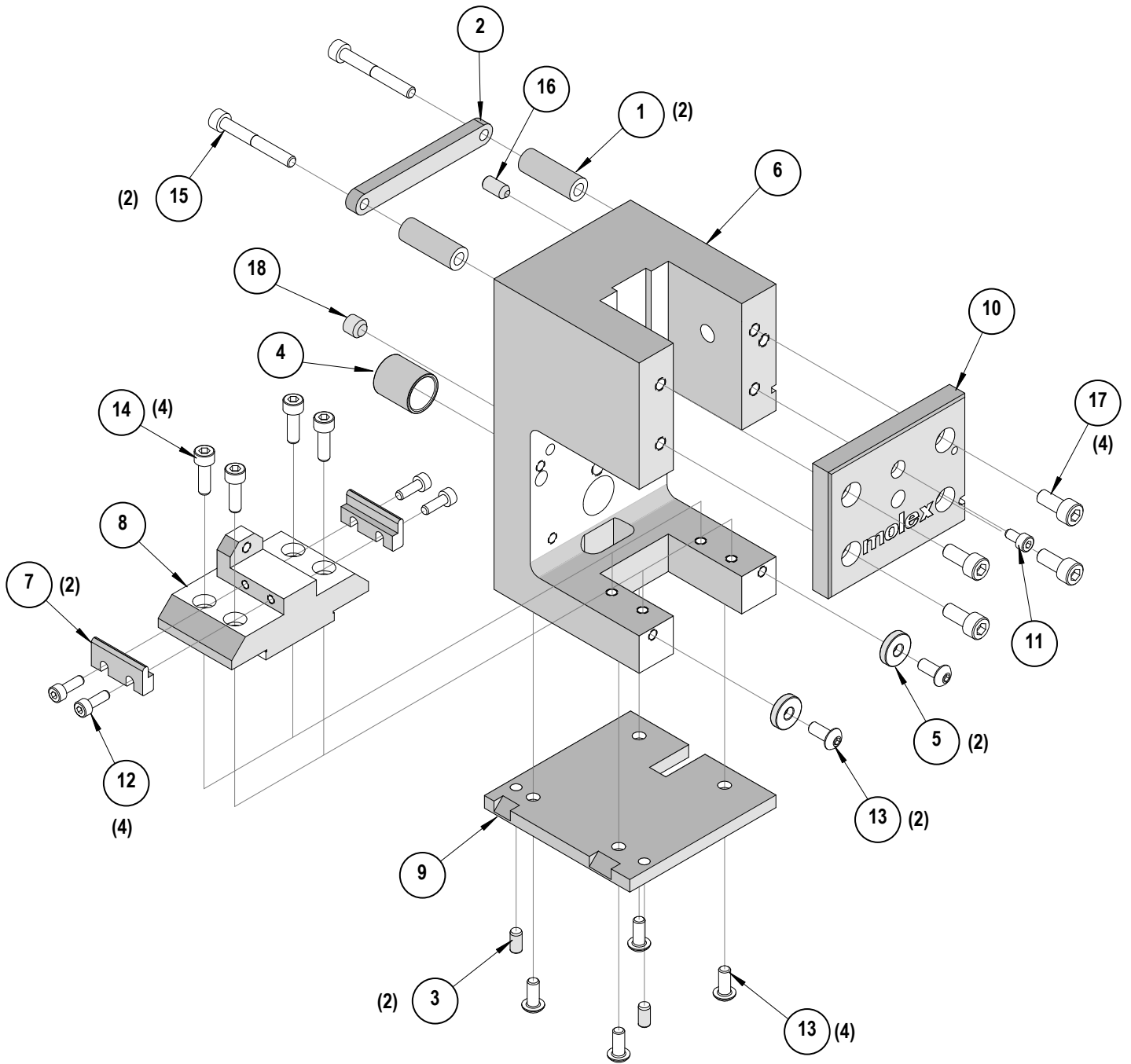


Figure 4-4

## 4.2 Troubleshooting

Symptom	Cause	Solution
Tape does not feed	Reel jam or jam at track entry	Check tape entry into track
	Tape jam in track	Reload tape
	Feed cylinder flow too restricted	Adjust flow control open
	Insufficient air pressure to feed cylinder	Adjust air pressure >80psi (0.5MPa)
	Tape splice jammed in track	Clear jam
Tape overfeeds	Feed cylinder advancing too fast	Adjust flow control
Excessive flare (bell mouth) (Un-insulated Product)	Conductor punch worn	Replace
	Tooling backwards	Reverse mounting of Tooling
Conductor crimp is too loose	Worn Tooling	Replace with new tooling
	Wrong tooling	Replace with proper tooling
	Wrong conductor crimp height	Reset conductor crimp height
	Press shut height too high	Calibrate press shut height
Conductor crimp is too tight	Wrong tooling	Replace with proper tooling
	Wrong crimp height	Reset crimp height
	Punch installed backwards	Reverse mounting of punch
	Press shut height too low	Calibrate press shut height
Terminal sticks during crimping	Stripping blade too high	Lower stripping blade
	Wrong tooling	Replace with proper tooling
	Tooling worn or damaged	Replace tooling
Insulation crimp is too tight	Wire insulation too big for terminal	Check product specification
	Wrong insulation crimp height	Reset insulation crimp height
	Wrong tooling	Replace with proper tooling
	Press shut height too low	Calibrate press shut height
Low Pulls	Dies Backwards	Reverse mounting of Dies
	Worn Tooling	Replace with new tooling
	Crimp specification not achieved	Check solder slug height
	Product location on tape incorrect	Replace with proper product
	Wrong tooling	Replace with proper tooling

## 4.3 Press Guard Upgrade (For earlier TM-3000 presses)

Due to the nature of the terminals processed in the crimp module, press guarding on older models of the TM-3000 Press will not be compatible. A guard upgrade is required. Order number is 64016-2590.

The Guard Upgrade Kit (64016-2590) comes with easy to follow installation instructions.

### Guarding for the Optional 64016-2000 Tape Module

Starting in January 2012, several new guard features are being added to the Molex 64016-2000 Tape Module.

The new features are designed to be used with the 64016-2590 guard upgrade kit. (The 64016-2000 tape module will only fit into a Molex TM-3000 or TM-4000 style crimping press.)

## FEATURES

- An exit guide to assist in removing crimped wires and used Mylar tape from out of the press. This feature allows the operator to leave crimped wires attached to the Mylar tape, and then after several more machine cycles, the crimps can be easily removed from the tape, outside of the press guards.
- A choice of easy to install “point of operation” guards, designed to help get wires into the closed barrel contacts for easier crimping.

### Preparing the Press for the Tape Module

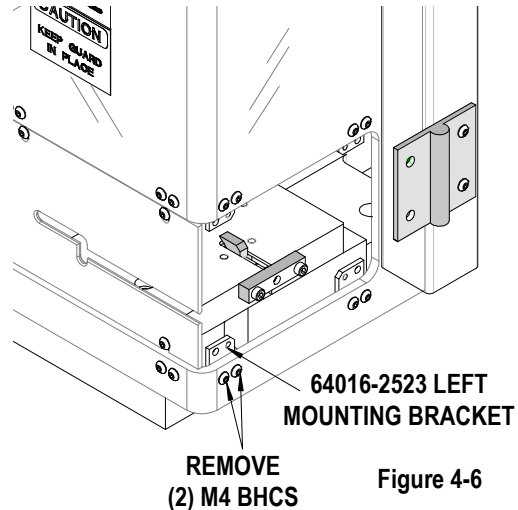
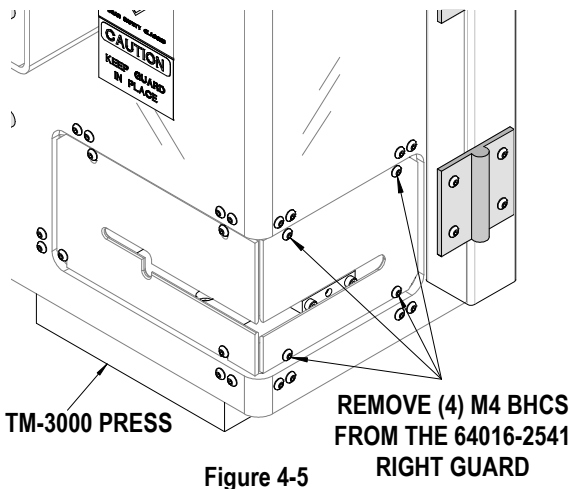


**Always turn off and disconnect the power supply to the press when changing over the Tap Module guards.**



**Do Not Use the TM-3000 Applicator without all the correct Guards installed**

1. If the TM-3000 press was previously set up for use with a standard metal strip applicator, the right side guard (64016-2541) will need to be changed.
2. Remove the (4) M4 BHCS and the right guard. See Figure 4-5.
3. Remove the (2) M4 BHCS and the one lower left mounting bracket (64016-2523) only. See Figure 4-6.



4. Install the 64016-2545 Tape Module right side guard as shown in figure 4-7; this guard is designed only for use with the Molex Tape Module, Mylar Tape Crimp Tool.
5. Install the (3) M4 x 8 BHCS.



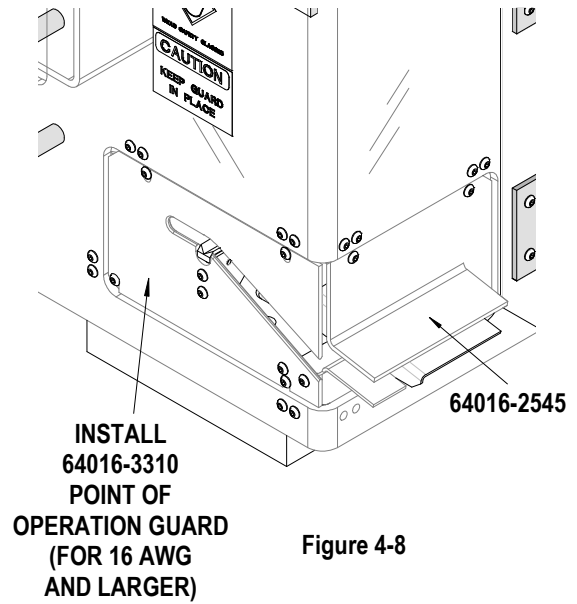
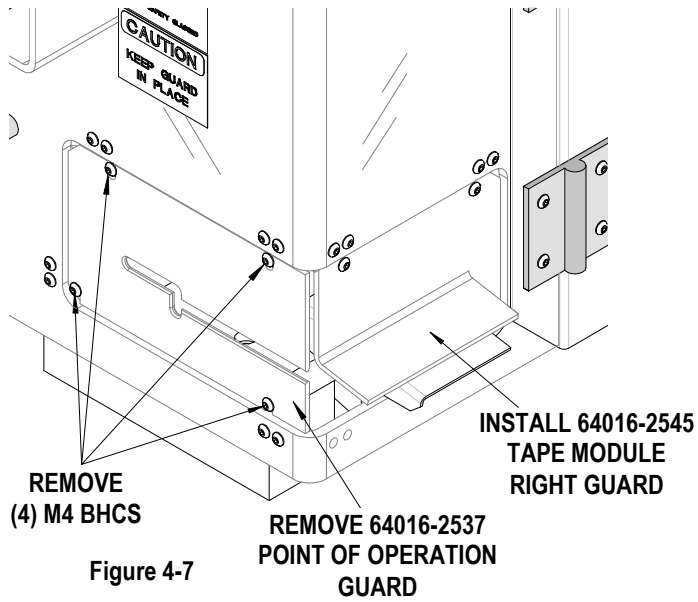
Never use the 64016-2545 guard when a standard metal strip applicator is installed in your press.

6. Remove the (4) M4 BHCS and the point of operation guard. See Figure 4-7.
7. Install the tape module point of operation guard, which best fits your crimping application.
  - 64016-3310 Guard Assembly for crimping 16 AWG and larger wire sizes.
  - 64016-3320 Guard Assembly for crimping 18 AWG and smaller wire sizes.
  - 64016-3330 Guard Assembly (optional for extra cost, not included with the tape module, or tape module upgrade kit) for crimping 4-6 AWG thick insulation wire.

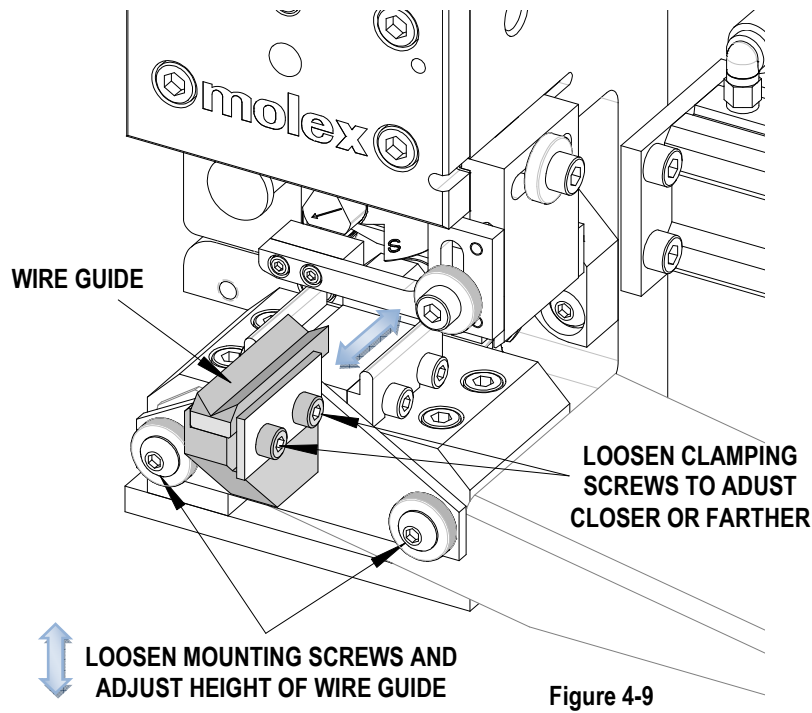


### Installing the 64016-3310 Guard Assembly (For 8 to 10 AWG Wire Crimping)

1. For the 16 AWG and larger wire sizes install the 64016-3310 guard assembly. See Figure 4-8.



2. Using the existing two screws and washers on the front of the tape module the wire guide assembly mounts as shown in Figure 4.9.
3. Adjust the wire guide feature to best suited for the application being used. Loosen the clamping screws to adjust the wire guide closer to or farther away from the crimp tooling. See Figure 4-9.



- The guard can be adjusted to achieve the correct height, to line up with the wire guide.. Loosen the M4 BHCS and adjust guard up or down. See Figure 4-10.

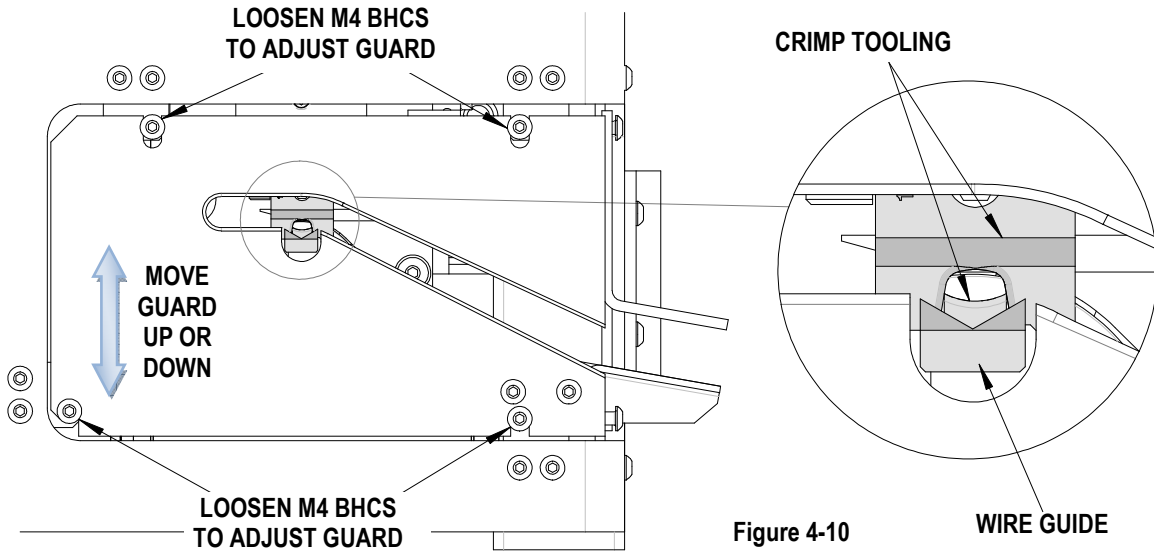


Figure 4-10

### Installing the 64016-3320 Guard Assembly (For 18 to and smaller AWG Wire Crimping)

**Note:** The terminal stripper that is located on the tape module may need to be removed before installing the 64016-3320.

- The 64016-3320 guard assembly is designed to allow the operator to get closer to the crimping area, when using 18 AWG and smaller wire.
- Remove the (4) M4 BHCS and any point of operation guard or guard assembly.
- Place the 64016-3320 guard on the far side of the (4) mounting brackets.
- Install the (4) M4 BHCS into the clearance holes (not the tap holes).as shown in Figure 4-11.

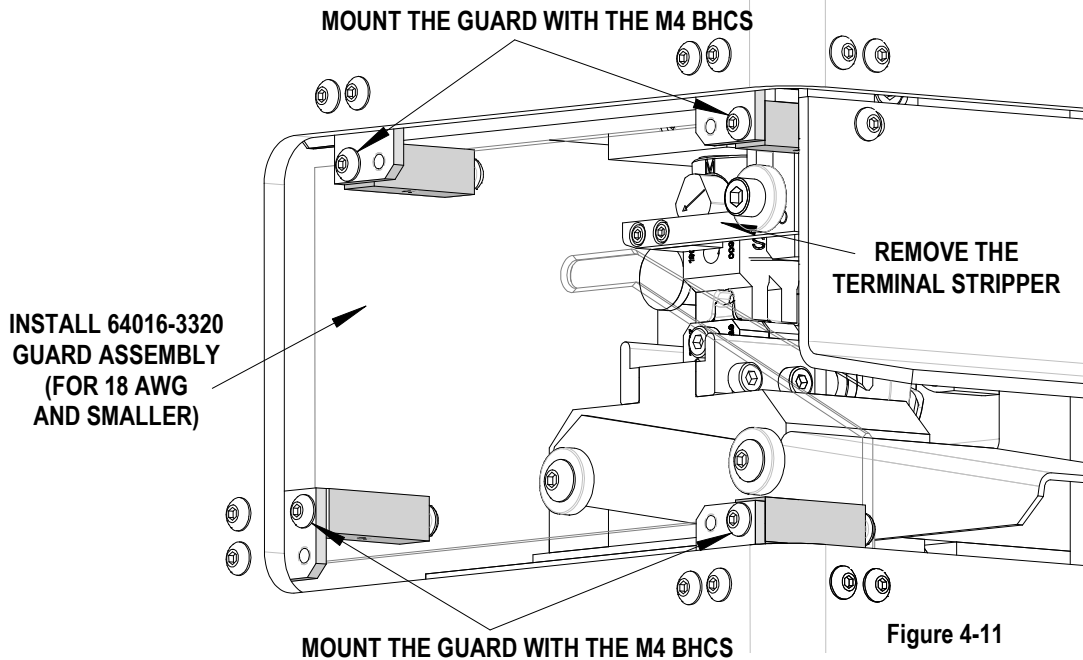


Figure 4-11

**Note:** That the 64016-3320 guard is recessed inward, for easy access to the crimping area.

Parts List

Upgrade Kit for Tape Module 64016-2700				
Item No.	Order No.	Engineering No.	Description	Quantity
1	64016-2307	64016-2307	Exit Guard	1
2	64016-2545	64016-2545	Right Guard	1
3	64016-3310	64016-3310	Guard Assembly Tape Module with Wire Guide 16 AWG or Larger	1
4	64016-3320	64016-3320	Guard Assembly Tape Module 18 AWG or Smaller	1
5	64016-3330	64016-3320	Guard Assembly Tape Module 4-6 AWG thick insulation wire	Optional

Assembly

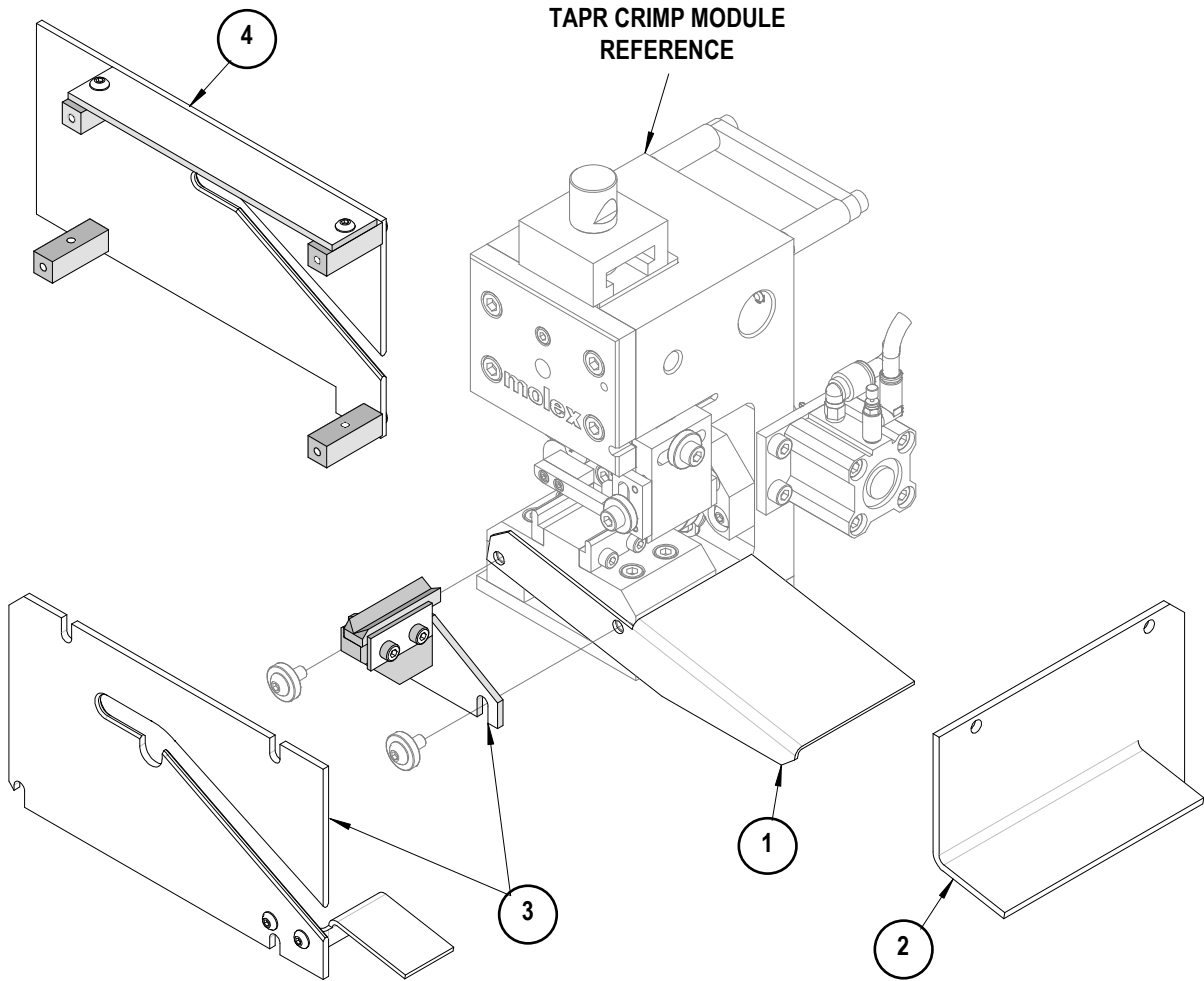
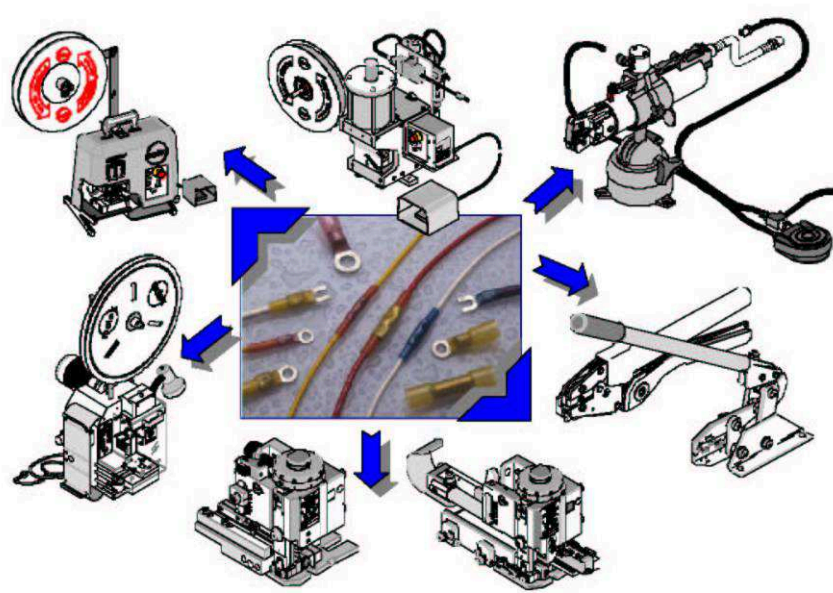


Figure 4-12


**For more information use the Industrial Crimp Quality Handbook**

There is no charge for this book, which can be found on the Molex website ([www.molex.com](http://www.molex.com)) or contact your local Molex sales engineer

TBO-Quality Crimping Handbook



**INDUSTRIAL CRIMP QUALITY  
HANDBOOK**



Order No: ATS-640160065    Release Date: 00-00-02    **UNCONTROLLED COPY**    Page 1 of 23  
Revision: B    Revision Date: 09-11-06

## Appendix A

A.1 Pull Force Procedure

A.2 Pull Force Problems

## Pull Force Testing

### A.1 Pull Force Procedure

Wire connectors and soldering lugs for use with copper conductors. (Per UL486A October 8, 1991) UL Section 12 Pullout Test.

- 12.1 The connectors subjected to the static heating test or secureness test shall be subjected to a direct pull of the value specified for one minute. The connector is acceptable if it does not become separated from the conductor or conductors after completion of the test.
- 12.2 For an insulated connector in which the insulation is assembled to the connector during installation, the test should be conducted with the insulation in place if it is always supplied with the connector by the manufacturer. Otherwise, the test should be conducted without the insulation assembled to the connector. Breaking or tearing of the insulation of an insulated connector is acceptable in the pullout test. The pull is to be exerted by means of a tension testing machine or equivalent, so that there will be no sudden application of force or jerking during the test.

The following is the procedure Molex uses for the qualification of pull force:

1. Cut wire length approximately 150mm (6.0") long.
2. Strip one end to 13mm (.50"), or long enough so no wire insulation is under the insulation grip.
3. Terminate the appropriate terminal to the wire to the nominal crimp height.
4. Visually inspect the termination for wire brush and cut strands.
5. Set pull tester to 25.4mm (1.0") per minute. For most applications, a higher rate will not have a significant impact on the data. Verify higher pull rates with data taken at 25.4mm (1.0") per minute.
6. Knot the non-terminated end of the wire.
7. Regardless of pull tester type, both wire and terminated end must be securely clamped. (Note: The clamp terminal contact interface, do not clamp the conductor crimp. Insulated terminals should have their insulation trimmed back so the contact can be clamped.)
8. Activate pull test.
9. Record a minimum of 25 readings of maximum pull force. After the application has been qualified, a minimum of 5 pull force measurements should be done to confirm each setup.
10. Compare lowest reading to minimum pull force specification.

### A.2 Pull Test Problems

1. Wire breaks before conductor grip, pull force low

#### Material Evaluation

**Cause:** Wire material properties, and/or coatings.

**Solution:** Test non-terminated wire for breaking strength.

#### Stripping Evaluation

**Cause:** Cut or nicked strands from stripping operation.

- 1) Wire being manually stripped.
- 2) Poor automatic stripping cutoff.
- 3) Worn strip tooling.

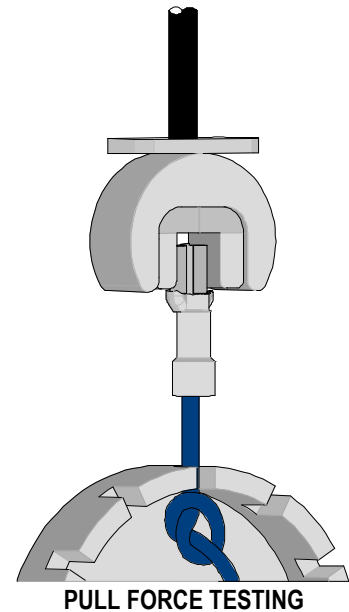
**Solution:** 1) Switch to semiautomatic or automatic wire stripping machine.  
2) Correct stripping machine setup.

2. Wire pulls out of conductor grip, crimp height good

#### Material Evaluation

**Cause:** 1) Terminal material thickness too small.  
2) Terminal serration depth/form.  
3) Terminal plating thickness.

**Solution:** 1) Evaluate a new terminal.  
2) Or 3) Contact terminal manufacturer.



**Stripping Evaluation**

**Cause:** Wrong strip length.  
**Solution:** Adjust strip length.

**Tensile Test Value (LB)**

<b>Wire Size (AWG)</b>	<b>*Military</b>	<b>**UL- 486A</b>	<b>***UL – 486C</b>	<b>*****UL-310</b>
26	7	3	N/A	N/A
24	10	5	N/A	N/A
22	15	8	8	8
20	19	13	10	13
18	38	20	10	20
16	50	30	15	30
14	70	50	25	50
12	110	70	35	70
10	150	80	40	80
8	225	90	45	N/A
6	300	100	50	N/A
4	400	140	N/A	N/A
2	550	180	N/A	N/A
1	650	200	N/A	N/A
1/0	700	250	N/A	N/A
2/0	750	300	N/A	N/A
3/0	825	350	N/A	N/A
4/0	875	450	N/A	N/A

\*Military – Military Approved Terminals  
 \*\*UL-486A – Terminals (Copper conductors only)  
 \*\*\*UL-486C – Butt Splices, Parallel Splices, Closed End Connectors, and Wire Nuts  
 \*\*\*\*UL-310 – Quick Disconnects, Flags and Couplers

Visit our Web site at <http://www.molex.com>