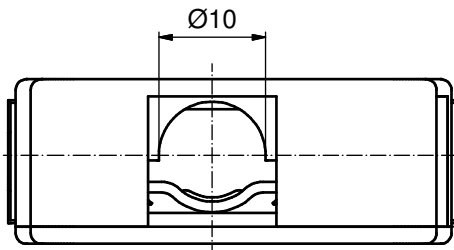
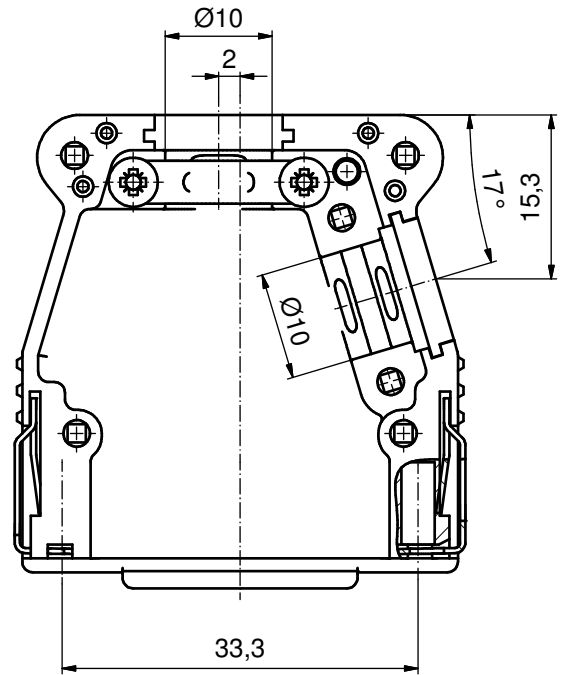
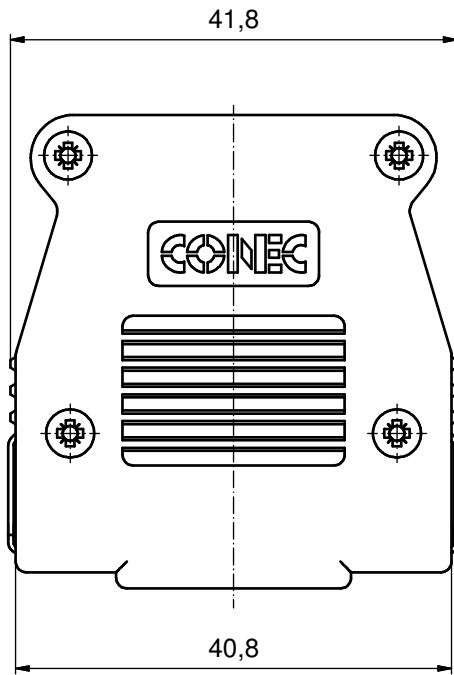
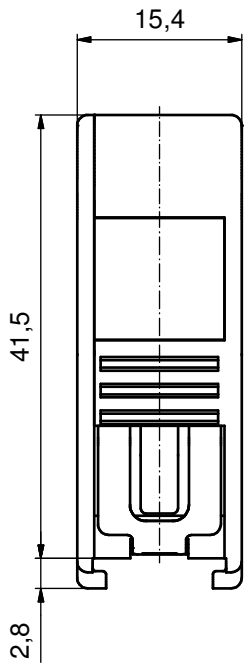


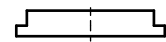
view without cover
(2:1)



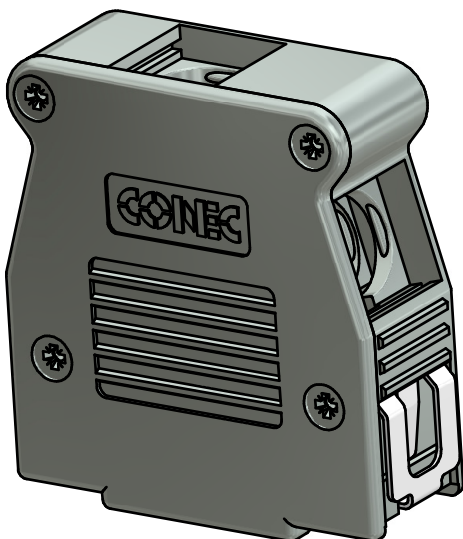
COUNTERSUNK HEAD SCREWS
(6x)



CABLE STRAIN RELIEF



BLANKING PLUG



b	Part-No.	Part-No.
	Bulk package	Single package
	16-001760	16-001760E

HOOD ASSEMBLY CONSISTS OF:

1. HOOD + COVER: ABS UL 94 V-0; NICKEL PLATED
2. BLANKING PLUGS: ABS UL 94 V-0; NICKEL PLATED
3. CABLE STRAIN RELIEF: STEEL; NICKEL PLATED
4. CLIP: STAINLESS STEEL
5. COUNTERSUNK HEAD SCREWS: STEEL; NICKEL PLATED

RoHS compliant

THIS DRAWING MAY NOT BE COPIED OR REPRODUCED IN ANY WAY, AND MAY NOT BE PASSED ON TO A THIRD PARTY WITHOUT WRITTEN PERMISSION. OWNERSHIP AND COPYRIGHT OF CONEC GmbH DO NOT ALTER CAD DRAWING BY HAND				tolerance		scale:	2:1	
					dim. in mm	material:	see drawing	
				date	name	title:		
				drawn	24.09.14	Henneboel	Plastic Hood 15pos with Snap Lock / top and side cable exit	
				appd.	24.09.14	Strakerjahn		
				norm				
			d-old			dwg no:	DIN-A3	
2 x b	Ä5619	22.04.2015	K.H.	CONEC		16K1A3530	sh: 1	
a	Original					part no:	b SEE TABLE	