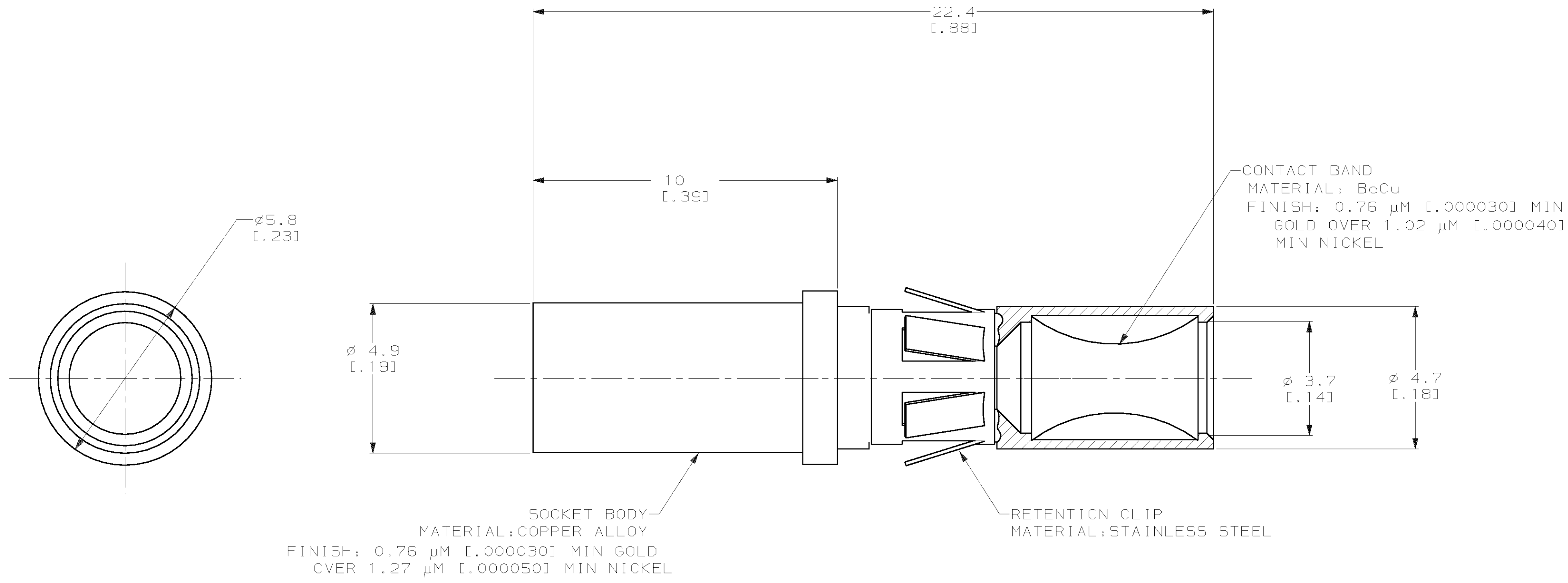


THIS DRAWING IS UNPUBLISHED. RELEASED FOR PUBLICATION, 19 .
 © COPYRIGHT 19 BY AMP INCORPORATED. ALL INTERNATIONAL RIGHTS RESERVED.

LOC		DIST		P		F		ZONE		LTR		REVISIONS		DATE	APPD
CH	11											C	ECN 95032201	03-22-95	CMS

1. RETROFIT CONTACT FOR METRIMATE AND AMPLIMITE POWER CONTACT.
2. WIRE BARREL WILL ACCEPT #10 AWG WIRE.
3. MATES WITH PN 193642-1.



193643-1
 PART NO

DO NOT SCALE PRINT. UNLESS SPECIFIED DIMENSIONS IN mm [INCHES] TOLERANCES ON : 2 PLC DEC ± 0.5 [0.02] 3 PLC DEC ± 0.25 [0.010] ANGLES ± -		DR D. WILSON 08-12-92		AMP Incorporated Harrisburg, PA 17105-3608	
MATERIAL -		CHK R. JAYNE 08-17-92			
FINISH -		APPD A. GRIFFIN 08-17-92		NAME	
		APPD P. GLASER 08-17-92		SOCKET ASSY, POWER, #10 AWG	
		PRODUCT SPEC -		SIZE	
		APPLICATION SPEC -		CAGE CODE	
		WEIGHT -		DRAWING NO	
				C 00779 C=193643	
				SCALE 10:1	
				SHEET 1 OF 1	

THIS DRAWING IS A CONTROLLED DOCUMENT FOR AMP INCORPORATED. IT IS SUBJECT TO CHANGE AND THE CONTROLLING ENGINEERING ORGANIZATION SHOULD BE CONTACTED FOR THE LATEST REVISION.