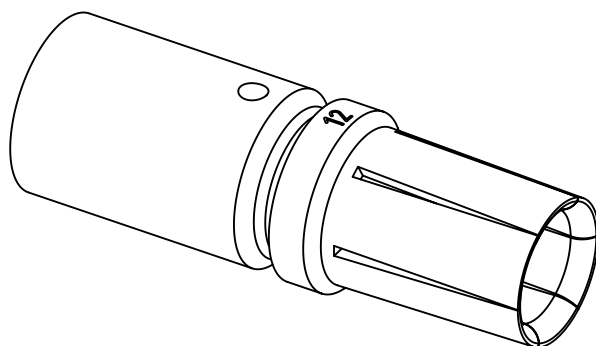
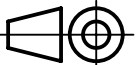



assembly notes see catalog
 crimp zone acc. to DIN EN 46235 indicator 12
 for stranded fine wire acc. to VDE 0295 class 5/ IEC 60228 class 5
 wire gauge: 35mm²
 stripping length: 16mm



 All Dimensions in mm Original Size DIN A4	Scale	Free size tol.		Ref.	
	2:1			Sub.	
 All rights reserved Department EL PD - DE	Created by	Inspected by	Standardisation	Date	State
	HOLLERT	TIEMANNA	RUETERA	2017-07-24	Final Release
HARTING Electric GmbH & Co. KG D-32339 Espelkamp	Title			Doc-Key / ECM-Nr.	
	Han TC100 female contact 35 mm ²			100150730/UGD/004/D 500000122673	
Type	Number	Rev.		Page	
TB	09 11 000 6235	D		1/1	