

SPECIFICATION :

1. Electrical Char.

- Insulation Resistance : 500M-Ohm Min. 500V DC. for 1 minute.
- Contact Resistance : 20milli-ohm Max.
- Rating Current : 1.5A Max.
- Rating Voltage : 120V AC.
- Dielectric Voltage : 1,000 Vrms at 1MA 60 Sec. Min.

2. Physical char.

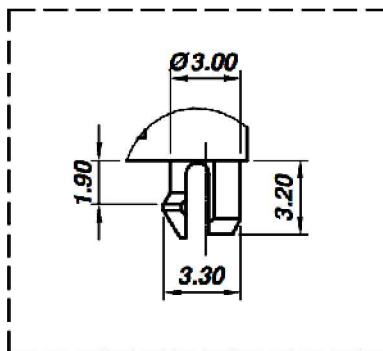
Housing(Optional) :

- PBT Glass Filled (UL 94V-0),Soldering Temperature:235°C for 5 Sec.
- Nylon (UL 94V-0),Soldering Temperature:260°C for 5 Sec.

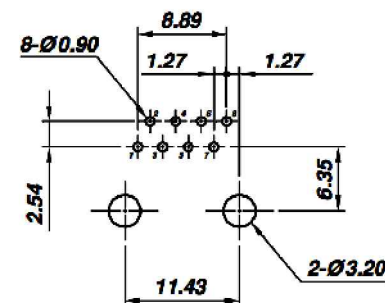
Color : Black Color

Spring Wire :

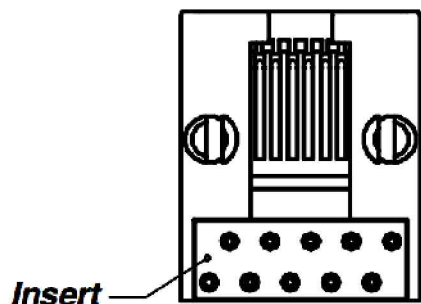
- 0.45mm Dia Phosphor Bronze Gold Plating Over Nickel
- Temperature Range : -40°C /+85°C
- Durability : 500 Mating cycles Min.



A(2:1)



PCB LAYOUT
(Top View)



RoHS compliant
Unit: mm

Scale	FREE					Date	Name	Customer-No.
TOLERANCE					Drawn	08.06.2016	Joanna	
X.	±1				Approved	08.06.2016	Joanna	ASSMANN WSW-No.
.XX	±0.25							A-2004-2-4-LP-N-R
.XXX	±0.13							Drawing-No.
.XXXX	±0.05							ASS 7273 CO
		Ⓢ	Drawn	08.06.2016	Joanna			rev00
Angle	TOL	Id.	Modification	Date	Name			Replace

