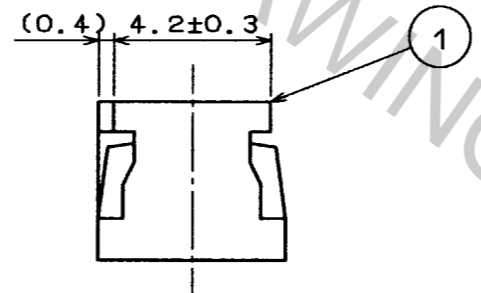
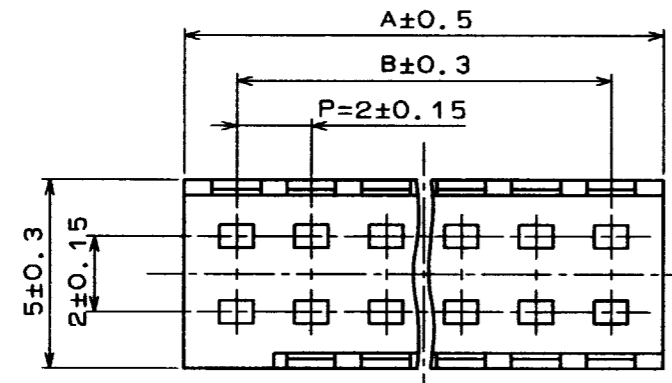
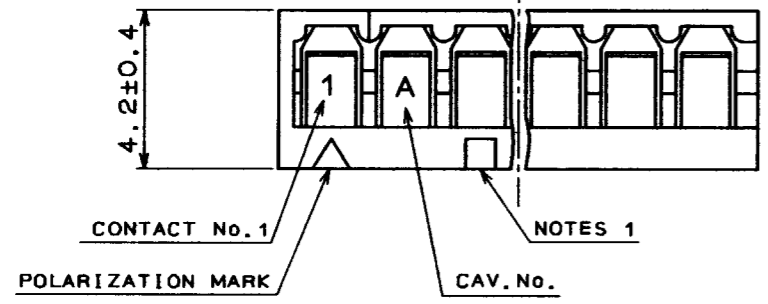
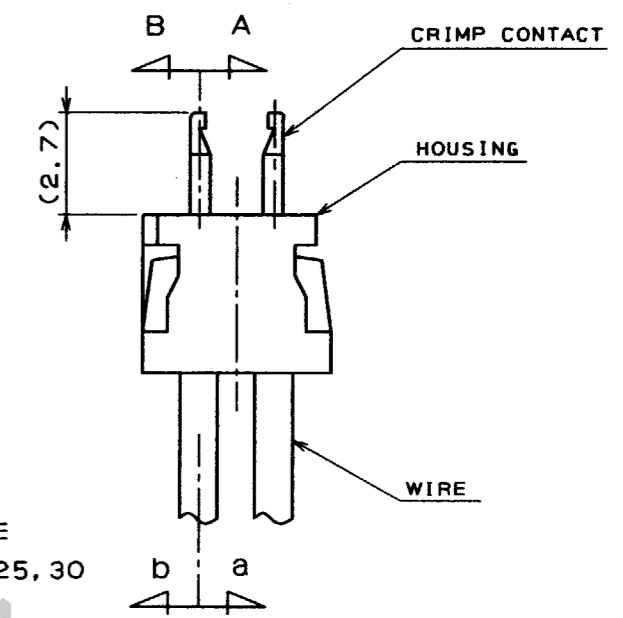


COUNT	DESCRIPTION OF REVISIONS	BY	CHKD	DATE	COUNT	DESCRIPTION OF REVISIONS	BY	CHKD	DATE
△					△				
△					△				
△					△				

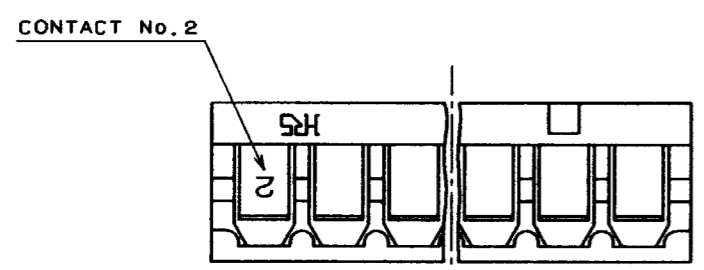
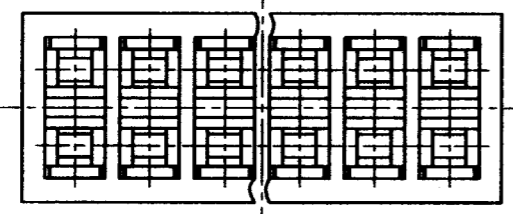
NUMBER OF CONTACT	CODE NO.	PART NO.	A	B	NUMBER OF CONTACT	CODE NO.	PART NO.	A	B
4	544-0078-3	DF4-4DP-2C	4.8	2.0	20	544-0086-1	DF4-20DP-2C	20.8	18.0
6	544-0079-6	DF4-6DP-2C	6.8	4.0	22	544-0087-4	DF4-22DP-2C	22.8	20.0
8	544-0080-5	DF4-8DP-2C	8.8	6.0	24	544-0088-7	DF4-24DP-2C	24.8	22.0
10	544-0081-8	DF4-10DP-2C	10.8	8.0	26	544-0089-0	DF4-26DP-2C	26.8	24.0
12	544-0082-0	DF4-12DP-2C	12.8	10.0	28	544-0090-9	DF4-28DP-2C	28.8	26.0
14	544-0083-3	DF4-14DP-2C	14.8	12.0	30	544-0091-1	DF4-30DP-2C	30.8	28.0
16	544-0084-6	DF4-16DP-2C	16.8	14.0	32	544-0092-4	DF4-32DP-2C	32.8	30.0
18	544-0085-9	DF4-18DP-2C	18.8	16.0					



CRIMP CONTACT INSERTION DRAWING



NOTES 1. SQUARE MARKS ARE INDICATED IN RELIEF ON THE PART OF FOLLOWING CONTACT NO. : 5, 10, 15, 20, 25, 30
 2. RECOMMENDED PCB HOLE DIAMETER 0.9±0.05mm
 3. IN CASE OF SOME THIN JACKET WIRES, TIPS ARE HARD TO PUT TOGETHER. HOWEVER, THE WAY OF HOLDING THESE WIRES MAKES EASIER TO PUT THEM INTO PCB.
 EX. WHEN THE DIRECTION OF CONTACT TIP IS (A), PLEASE HOLD A WIRE TO THE DIRECTION(a).



NO. 1		POLYAMIDE		(BLACK)UL94V-0	
NO.	MATERIAL	FINISH, REMARKS	NO.	MATERIAL	FINISH, REMARKS
CODE NO. (OLD)			DRAWN	DESIGNED	CHECKED
			<i>T. Miyazaki</i>	<i>T. Miyazaki</i>	<i>J. Omi</i>
			95.4.18	95.4.18	95.4.18
			APPROVED	RELEASED	
			<i>H. Yamamoto</i>		
			95.4.18		
DRAWING NO. EDC3-160366			PART NO. DF4- 4 DP-2C		
UNITS mm			CODE NO. CL544-0078-3		
			~0092-4		
			1/1		

TO

Apr. T. 2017 Copyright 2017 HIROSE ELECTRIC CO., LTD. All Rights Reserved.