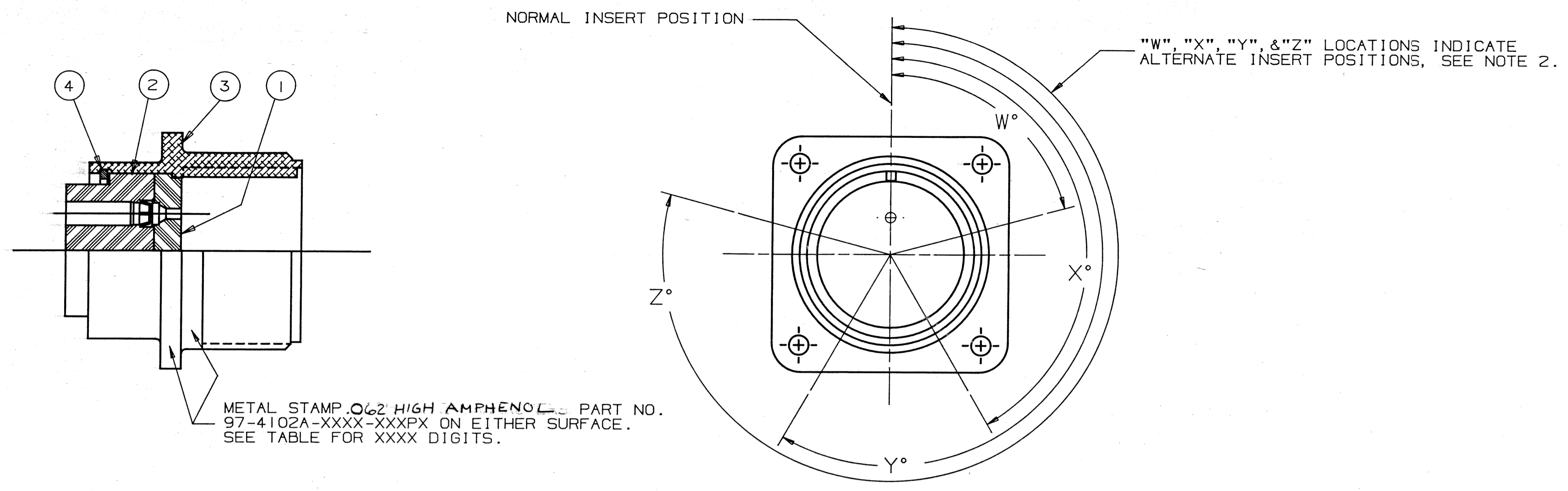


NOTICE—These drawings, specifications, or other data (1) are, and remain the property of Allied Corporation (2) must be returned upon request; and (3) are confidential and are not to be disclosed to any person other than those to whom they are given by Allied Corporation. The furnishing of these drawings, specifications, or other data by Allied Corporation, or by any other person, to anyone for any purpose is not to be regarded by implication or otherwise as in any manner licensing, granting rights or permitting such holder or any other person to manufacture, use or sell any product, process or design, patented or otherwise, that may in any way be related to or disclosed by said drawings, specifications or other data.

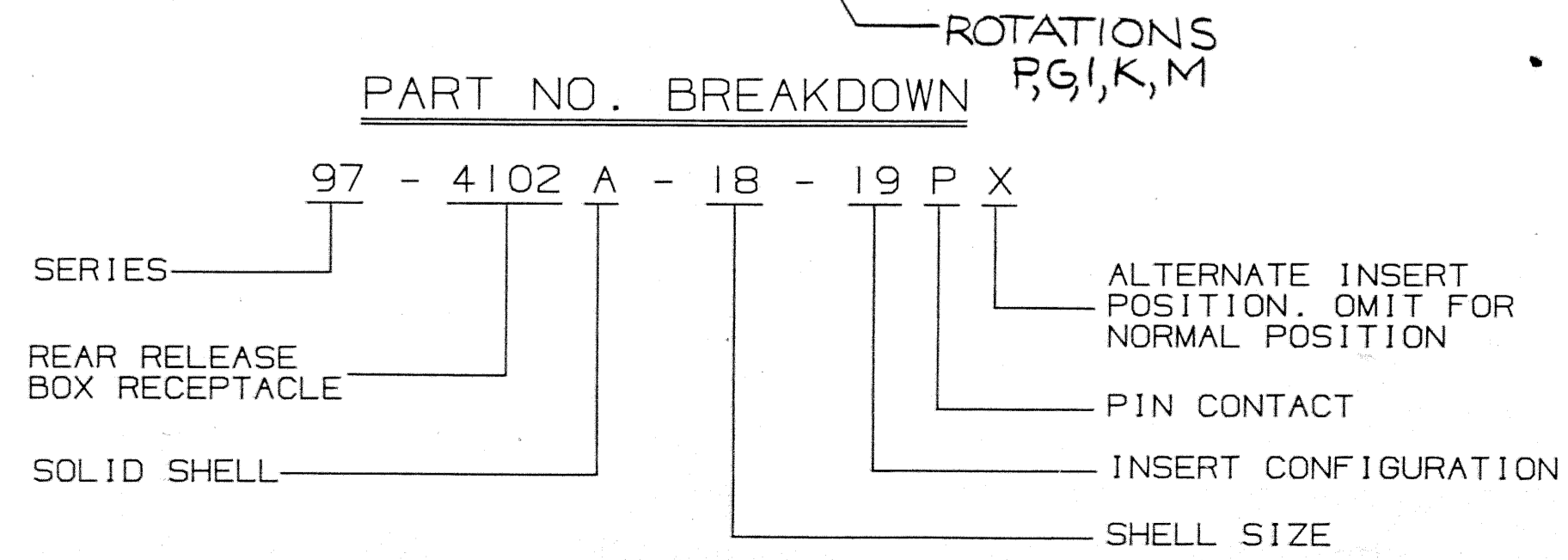
| REVISIONS | | | | |
|-----------|------|---|------------|--------------------|
| SYM | ZONE | DESCRIPTION | DATE | APPROVED |
| J | | REDRAWN, NO CHANGES (WAS 2 SHT'S) | 5-20-86 | PROVINSKY |
| K | | BOD DOCUMENT NOS. INCORPORATED CHANGED FSCM NO. TO 77820 ECN: 75005-342 | 9 23 87 | <i>[Signature]</i> |
| L | | CHANGE BLOCK CHANGE ONLY: WAS SHELL 10-61703-XXI (NO SLOT) ECN: 89758 | 11/80 | <i>[Signature]</i> |



METAL STAMP .062 HIGH AMPHENOL PART NO. 97-4102A-XXXX-XXXX ON EITHER SURFACE. SEE TABLE FOR XXXX DIGITS.

| AMPHENOL PART NO. | SHELL SIZE | INSERT CONFIG. | ITEM 1 | ITEM 2 | ITEM 3 | ITEM 4 | BENDIX NO. | ITEM 6 | ITEM 7 | ITEM 8 | ALTERNATE INSERT POSITIONS | | | |
|-------------------|------------|----------------|-------------------|-----------------------|---------------------------|-------------------------|----------------|--------|--------|--------|----------------------------|------|------|------|
| | | | PIN INSERT REQ'D. | RENTION DISC I REQ'D. | RECEPTACLE SHELL I REQ'D. | RETAINING RING I REQ'D. | | | | | W° | X° | Y° | Z° |
| 97-4102A-10SL-3PX | 10SL | -3 | 97-410SL-3PF | 97-410SL-3PR | 97-80-10SL-2 (639) | 97-94-10SL | 10-824042-3(C) | | | | --- | --- | --- | --- |
| 97-4102A-10SL-4PX | 10SL | -4 | 97-410SL-4PF | 97-410SL-4PR | 97-80-10SL-2 (639) | 97-94-10SL | 042-4 | | | | --- | --- | --- | --- |
| 97-4102A-12S-3PX | 12S | -3 | 97-412S-3PF | 97-412S-3PR | 97-80-12S (639) | 97-94-12 | 043-3 | | | | 70° | 145° | 215° | 290° |
| 97-4102A-14S-1PX | 14S | -1 | 97-414S-1PF | 97-414S-1PR | 97-80-14S (639) | 97-94-14 | 046-1 | | | | --- | 120° | 240° | --- |
| 97-4102A-14S-2PX | 14S | -2 | 97-414S-2PF | 97-414S-2PR | 97-80-14S (639) | 97-94-14 | 046-2 | | | | --- | 110° | --- | --- |
| 97-4102A-14S-5PX | 14S | -5 | 97-414S-5PF | 97-414S-5PR | 97-80-14S (639) | 97-94-14 | 046-5 | | | | 90° | 180° | 270° | --- |
| 97-4102A-14S-7PX | 14S | -7 | 97-414S-7PF | 97-414S-7PR | 97-80-14S (639) | 97-94-14 | 046-7 | | | | 80° | --- | --- | 280° |
| 97-4102A-16S-1PX | 16S | -1 | 97-416S-1PF | 97-416S-1PR | 97-80-16S (639) | 97-94-16 | 048-1 | | | | --- | 170° | 265° | --- |
| 97-4102A-16S-8PX | 16S | -8 | 97-416S-8PF | 97-416S-8PR | 97-80-16S (639) | 97-94-16 | 048-8 | | | | 70° | 145° | 215° | 290° |
| 97-4102A-18-1PX | 18 | -1 | 97-418-1PF | 97-418-1PR | 97-80-18 (639) | 97-94-18 | 050-1 | | | | 35° | 110° | 250° | 325° |
| 97-4102A-18-4PX | 18 | -4 | 97-418-4PF | 97-418-4PR | 97-80-18 (639) | 97-94-18 | 050-4 | | | | --- | 170° | 265° | --- |
| 97-4102A-18-11PX | 18 | -11 | 97-418-11PF | 97-418-11PR | 97-80-18 (639) | 97-94-18 | 050-11 | | | | 80° | --- | --- | 280° |
| 97-4102A-18-12PX | 18 | -12 | 97-418-12PF | 97-418-12PR | 97-80-18 (639) | 97-94-18 | 050-12 | | | | --- | 120° | 240° | --- |
| 97-4102A-18-19PX | 18 | -19 | 97-418-19PF | 97-418-19PR | 97-80-18 (639) | 97-94-18 | 050-19 | | | | 90° | 180° | 270° | --- |
| 97-4102A-18-20PX | 18 | -20 | 97-418-20PF | 97-418-20PR | 97-80-18 (639) | 97-94-18 | 050-20 | | | | 45° | 110° | 250° | --- |
| 97-4102A-20-4PX | 20 | -4 | 97-420-4PF | 97-420-4PR | 97-80-20 (639) | 97-94-20 | 051-4 | | | | 80° | 110° | 250° | 280° |
| 97-4102A-20-7PX | 20 | -7 | 97-420-7PF | 97-420-7PR | 97-80-20 (639) | 97-94-20 | 051-7 | | | | 35° | 110° | 250° | 325° |
| 97-4102A-20-27PX | 20 | -27 | 97-420-27PF | 97-420-27PR | 97-80-20 (639) | 97-94-20 | 051-27 | | | | 80° | 110° | 250° | 280° |
| 97-4102A-22-14PX | 22 | -14 | 97-422-14PF | 97-422-14PR | 97-80-22 (639) | 97-94-22 | 052-14 | | | | 80° | --- | --- | 280° |
| 97-4102A-24-2PX | 24 | -2 | 97-424-2PF | 97-424-2PR | 97-80-24 (639) | 97-94-24 | 053-2 | | | | 80° | 110° | 250° | 280° |
| 97-4102A-28-9PX | 28 | -9 | 97-428-9PF | 97-428-9PR | 97-80-28 (639) | 97-94-28 | 054-9 | | | | 80° | 110° | 250° | 280° |
| 97-4102A-28-11PX | 28 | -11 | 97-428-11PF | 97-428-11PR | 97-80-28 (639) | 97-94-28 | 054-11 | | | | 90° | 180° | 270° | --- |
| 97-4102A-28-12PX | 28 | -12 | 97-428-12PF | 97-428-12PR | 97-80-28 (639) | 97-94-28 | 054-12 | | | | 80° | 110° | 250° | 280° |
| 97-4102A-28-20PX | 28 | -20 | 97-428-20PF | 97-428-20PR | 97-80-28 (639) | 97-94-28 | 054-20 | | | | 80° | 110° | 250° | 280° |
| 97-4102A-28-21PX | 28 | -21 | 97-428-21PF | 97-428-21PR | 97-80-28 (639) | 97-94-28 | 054-21 | | | | 80° | 110° | 250° | 280° |
| 97-4102A-32-8PX | 32 | -8 | 97-432-8PF | 97-432-8PR | 97-80-32 (639) | 97-94-32 | 055-8 | | | | 80° | 125° | 235° | 280° |
| 97-4102A-32-414PX | 32 | -414 | 97-432-414PF | 97-432-414PR | 97-80-32 (639) | 97-94-32 | 055-Ac | | | | 80° | 110° | 250° | 280° |
| 97-4102A-36-10PX | 36 | -10 | 97-436-10PF | 97-436-10PR | 97-80-36 (639) | 97-94-36 | 056-10 (V) | | | | 80° | 125° | 235° | 280° |

- NOTES:
- METAL STAMP CONNECTOR WITH SPECIFIC CONTROL NUMBER (DATE CODE PER 9-8909).
 - SUFFIX IN PART NO. INDICATES ALTERNATE INSERT POSITIONS. NO SUFFIX REQUIRED FOR NORMAL INSERT POSITION.
 - PACK IN POLYCEL BAG OR EQUIVALENT AND IDENTIFY—
"AMPHENOL"
AMPHENOL PART NO.
MONTH AND YEAR MANUFACTURED
QUANTITY AND UNIT (EACH)



UNLESS OTHERWISE SPECIFIED
LINEAR DIMENSIONS ARE IN INCHES
TOLERANCES: .XXX ± .010,
.XXX ± .015, ANGLES ± 2°
OTHER STANDARDS PER 9-8800
AND BOD-D-1000.

| ITEM NO. | PART OR IDENTIFYING NO. | QTY REQD. | NOMENCLATURE OR DESCRIPTION |
|---------------------------------------|-------------------------|-----------|-----------------------------|
| LIST OF MATERIALS OR PARTS LIST | | | |
| DRAWN T. MAXWELL DATE 11-28-83 | | | |
| CHECKED W.-W. 11-28-83 | | | |
| APPROVED W. KAILUS 11-28-83 | | | |
| EPA/EAR A1-1536-097-957770 | | | |
| ENGINEERING RELEASE NO. A15039 1-6-84 | | | |
| INDUSTRIAL ENGRG APPD. | | | |
| DESIGN ACTIVITY APPD. | | | |
| EXPERIMENTAL NO. | | | |

ALLIED Amphenol Products Commercial & Industrial Operations
Lisle, IL 60532

TITLE: FLANGE MOUNT RECEPTACLE ASSEMBLY REAR RELEASE WITH PIN INSERT

SIZE: D FSCM NO. 77820 10-824040/059-P L REV L

SCALE: 1:1 WT. EST. ACT. SHEET OF