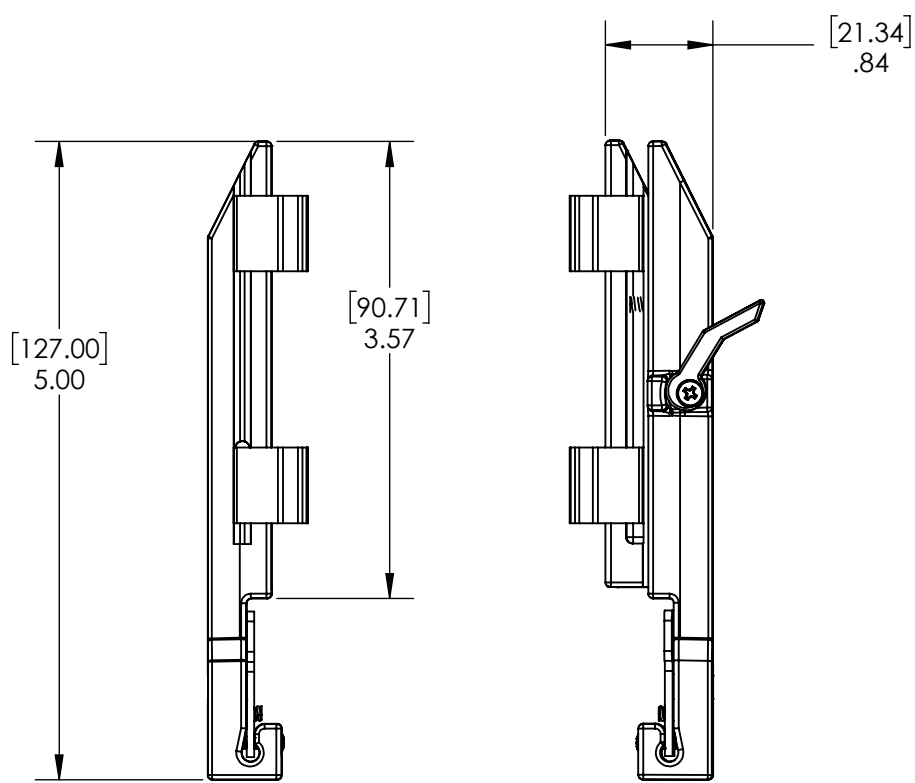


8 7 6 5 4 3 2 1

REVISIONS				
ZONE	REV.	DESCRIPTION	DRAWN/DATE	APPROVED/DATE
	PR1	INITIAL RELEASE OF PRODUCT SPECIFICATIONS	IM 10/04/2017	

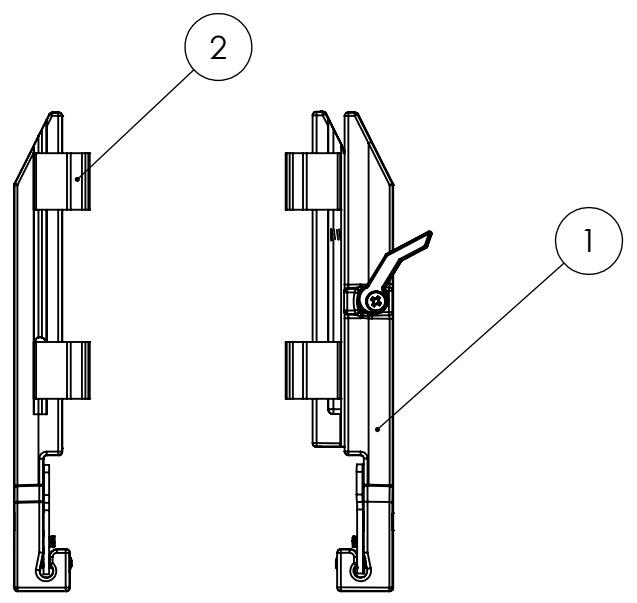


SPECIFICATIONS


OVERALL HEIGHT:6.0 [152.40]
 ROTATION:360 DEGREES
 SWIVEL:360 DEGREES
 PIVOT:210 DEGREES
 SHIPPING WEIGHT:0.18 POUNDS [.08KG]
 VISE OPENING:4 1/2 [114.30] MAXIMUM
 JAW HEIGHT:4 1/8 [104.78]

MATERIAL

1. VISE ARM PAIR ASSY: ALUMINUM #380 DIE CAST
2. STANDOFFS: SILICONE RUBBER, BLACK, SHORE 80±5



PROPRIETARY AND CONFIDENTIAL
 THE INFORMATION CONTAINED IN THIS DRAWING IS THE SOLE PROPERTY OF PANAVISE PRODUCTS INC. ANY REPRODUCTION IN PART OR AS A WHOLE WITHOUT THE WRITTEN PERMISSION OF PANAVISE PRODUCTS INC IS PROHIBITED.

		UNLESS OTHERWISE SPECIFIED:		NAME	DATE	 7540 Colbert Drive, Reno, Nevada 89511-1225 Phone (775) 850-2900 Fax (775) 850-2929 TITLE: MODEL 216 SPEC SHEET	
		DIMENSIONS ARE IN INCHES		DRAWN	IM		100417
		TOLERANCES:		CHECKED			
		FRACTIONAL ±1/64		ENG APPR.			
		ANGULAR:		MFG APPR.			
		MACH ±1/2° BEND ±1°		Q.A.			
		TWO PLACE DECIMAL ±.01		COMMENTS:			
		THREE PLACE DECIMAL ±.005					
		INTERPRET GEOMETRIC TOLERANCING PER: ASME 14.5M -2009					
		MATERIAL					
NEXT ASSY	USED ON	FINISH				SIZE B DWG. NO. 216 SP REV A	
APPLICATION		DO NOT SCALE DRAWING				SCALE: 1:2 WEIGHT: SHEET 1 OF 1	

8 7 6 5 4 3 2 1