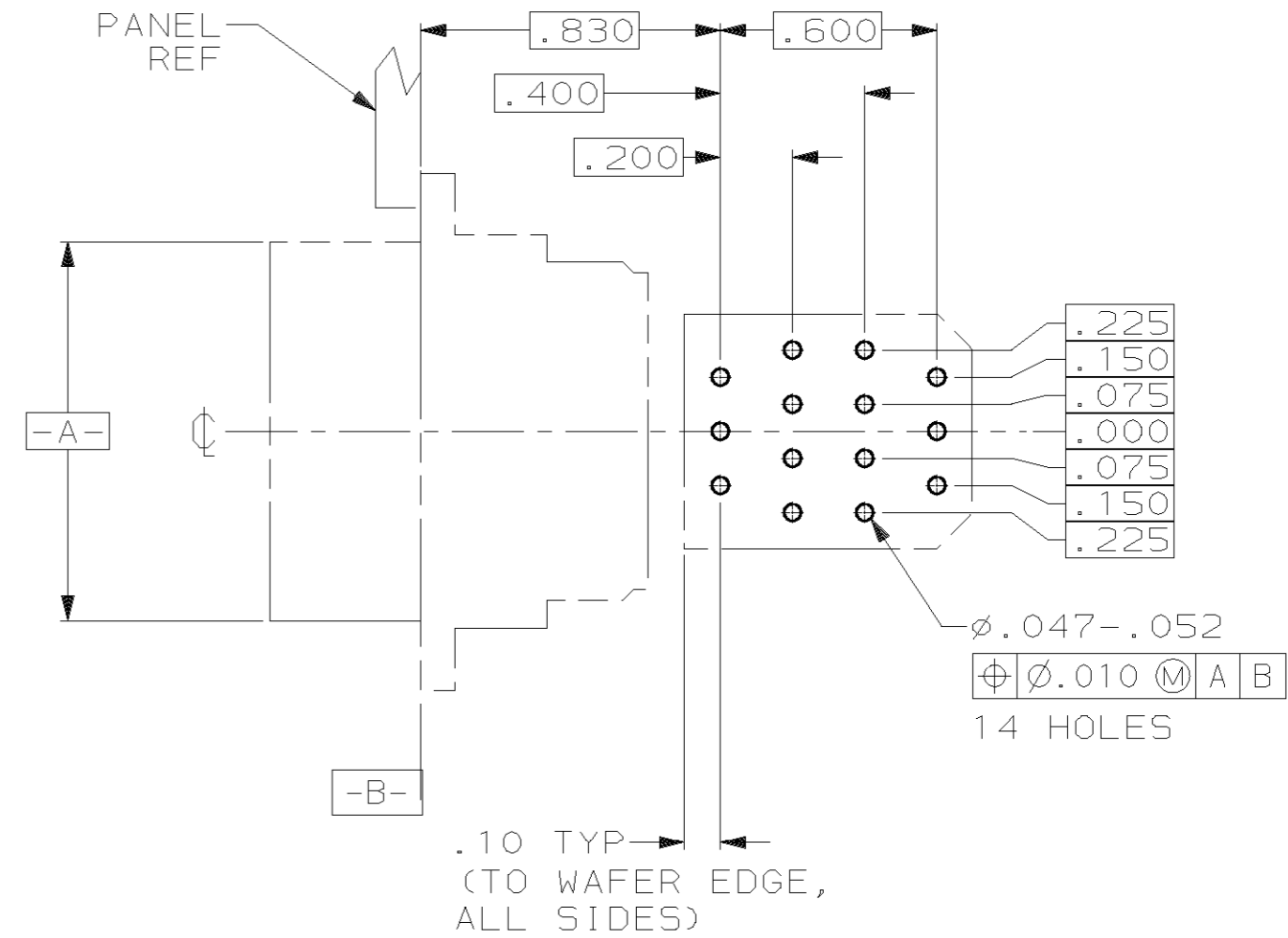
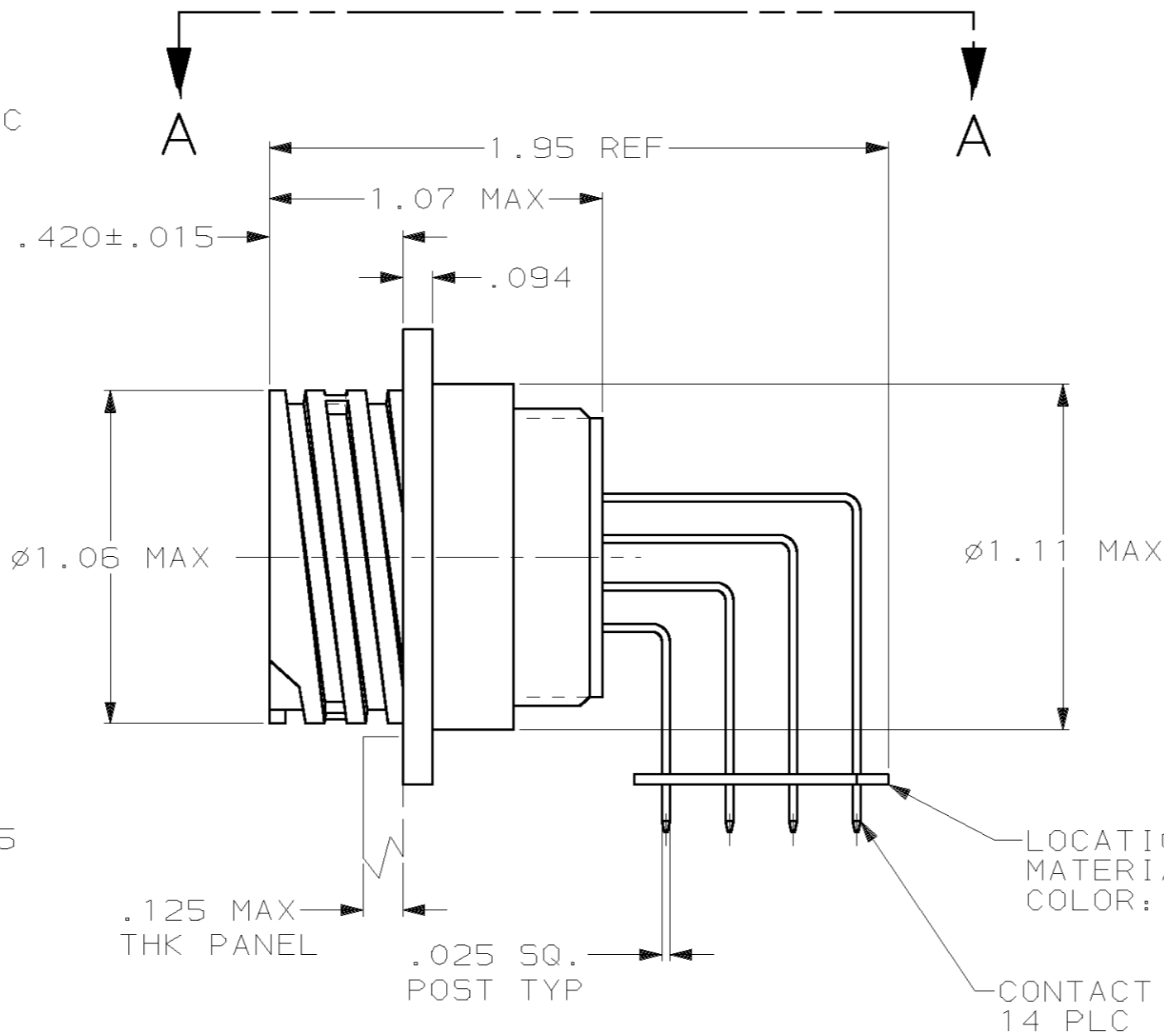
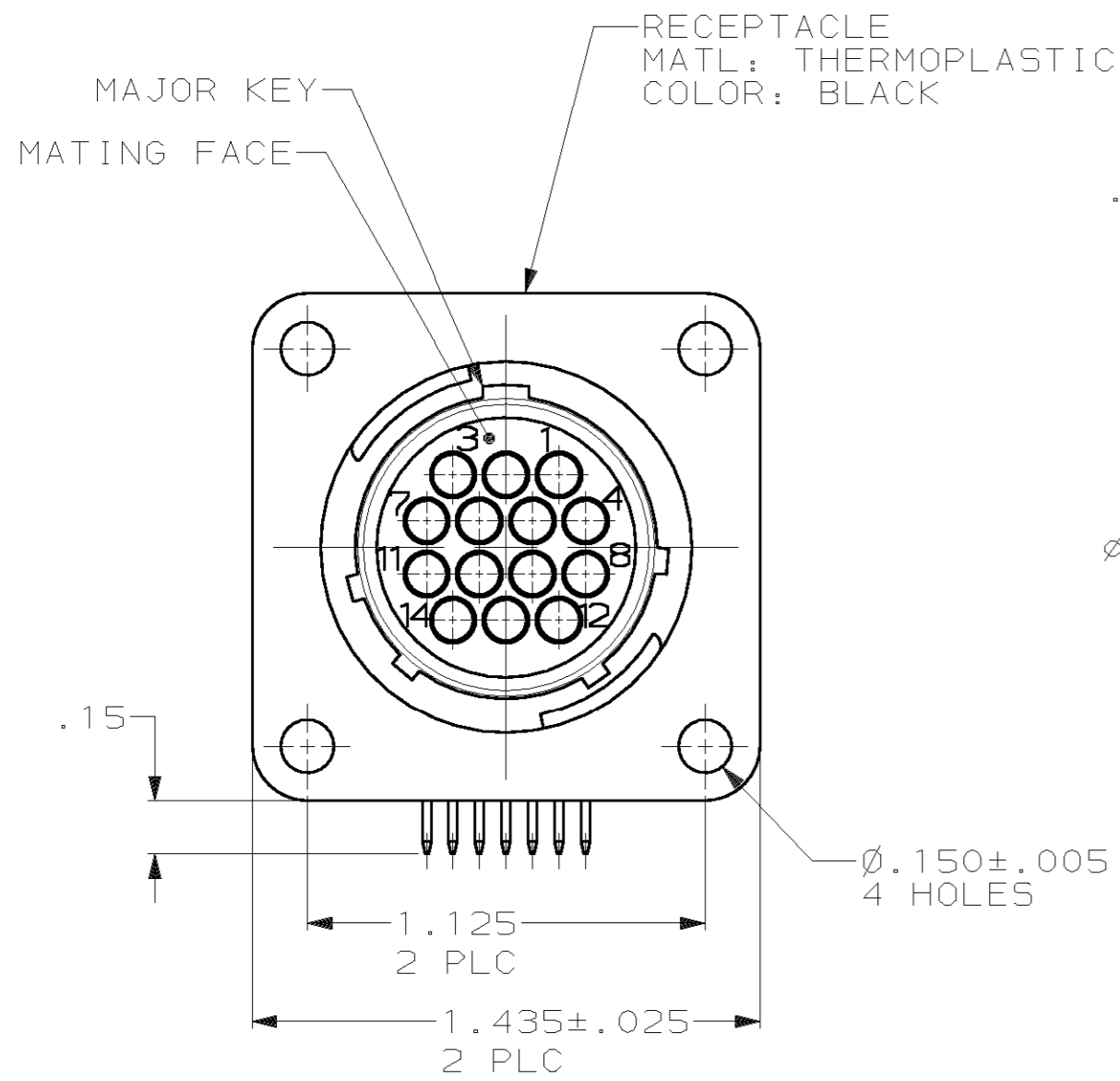
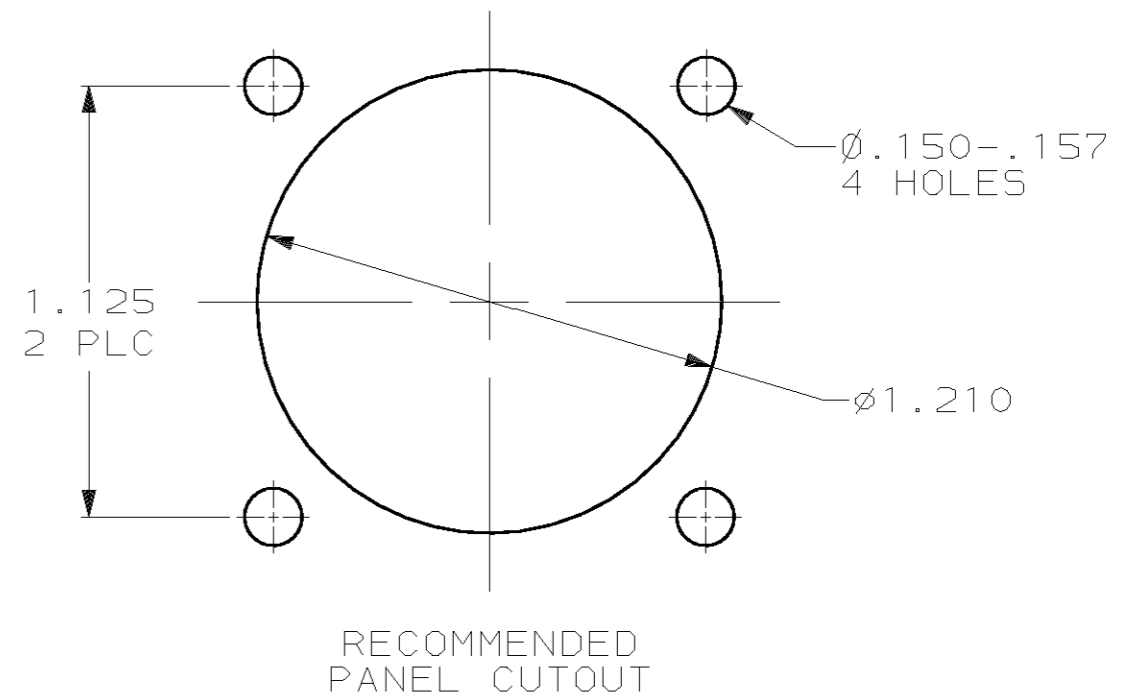


THIS DRAWING IS UNPUBLISHED. RELEASED FOR PUBLICATION .19
 BY AMP INCORPORATED. ALL RIGHTS RESERVED.

LOC	DIST	REVISIONS			
P	LTR	DESCRIPTION	DATE	DWN	APVD
FT	0				
C		REVISE PER ECN 063B-0587-00	07DEC00	SU	MC



VIEW A-A
 RECOMMENDED PC BOARD LAYOUT



- CONTACT CAVITIES IDENTIFIED BY CHARACTERS ON FRONT AND REAR FACES OF CONNECTOR.
- #6 FASTENER RECOMMENDED FOR MOUNTING.
- CONTACT BODY: .000100 MIN TIN-LEAD OVER .000050 MIN NICKEL. CONTACT POST: .000100 MIN TIN-LEAD OVER .000100 MIN COPPER.
- CONTACT BODY: .000030 MIN GOLD FOR A LENGTH OF .200 MIN FROM MATING END, WITH REMAINDER TO BE GOLD FLASH, BOTH OVER .000050 MIN NICKEL. CONTACT POST: .000100 MIN TIN-LEAD OVER .000100 MIN COPPER.
- PC BOARD HOLE PATTERN IS DEFINED RELATIVE TO CONNECTOR CENTER AND PANEL MOUNTING FACE INDICATED.

4	796348-2
3	796348-1
CONTACT FINISH	PART NUMBER

THIS DRAWING IS A CONTROLLED DOCUMENT.		DWN	HAMNER	3-10-00
DIMENSIONS: INCHES		CHK	M.CHACKO	3-21-00
TOLERANCES UNLESS OTHERWISE SPECIFIED:		APVD	M.CHACKO	3-21-00
0 PLC	±-	NAME		
1 PLC	±-	PRODUCT SPEC		
2 PLC	±.03	APPLICATION SPEC		
3 PLC	±.010	SIZE	CAGE CODE	DRAWING NO
4 PLC	±-	WEIGHT	A2 00779	C-796348
ANGLES	±-	CUSTOMER DRAWING		
FINISH	±-	SCALE	2/1	SHEET 1 OF 1
		REV	C	

796348