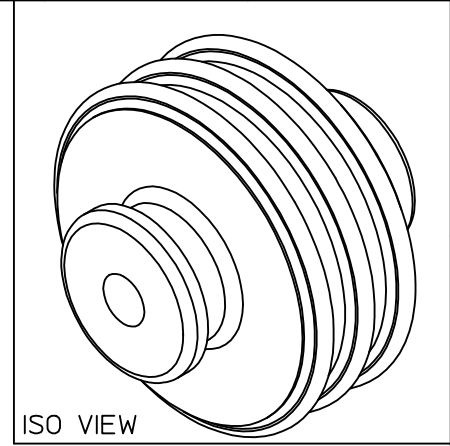
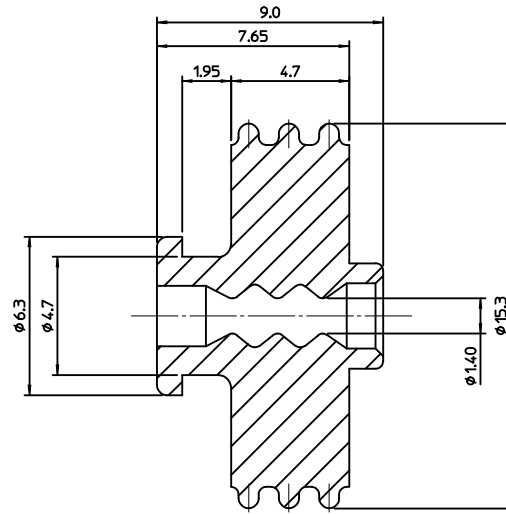
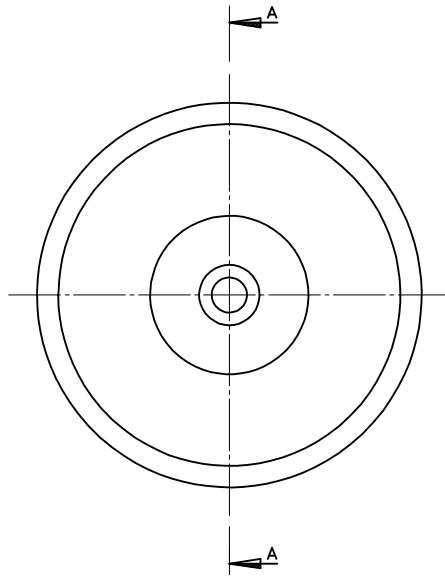


<NOTE>

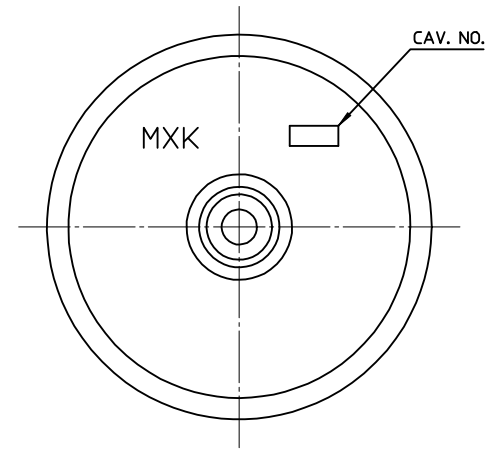
1. MATERIAL : INTERNALLY LUBRICATED SILICONE
2. COLOR : RED
3. APPLICABLE SOCKET ASS'Y : 49454, 104035, 104036
104037, 104038, 104039
4. APPLICABLE WIRE : 1.8mm~2.2mm



ISO VIEW



SECTION A-A'



<TABLE 1>

MATERIAL NO.	ORDER NO.
494549003	49454-9003

NEW RELEASED EC NO: KOR2009-0135 DRWING: SMK IM 2009/03/17 CHKD: BCY00N 2009/04/07 APPR: YUNS IKK IM 2009/04/07	DESCRIPTION 1	QUALITY SYMBOLS	GENERAL TOLERANCES (UNLESS SPECIFIED)	DIMENSION STYLE	SCALE	DESIGN UNITS	THIRD ANGLE PROJECTION															
		$\nabla = 0$ $\triangle = 0$	<table border="1"> <thead> <tr> <th></th> <th>mm</th> <th>INCH</th> </tr> </thead> <tbody> <tr> <td>4 PLACES</td> <td>± ---</td> <td>± ---</td> </tr> <tr> <td>3 PLACES</td> <td>± 0</td> <td>± ---</td> </tr> <tr> <td>2 PLACES</td> <td>± 0.15</td> <td>± ---</td> </tr> <tr> <td>1 PLACE</td> <td>± 0.2</td> <td>± ---</td> </tr> </tbody> </table>		mm	INCH	4 PLACES	± ---	± ---	3 PLACES	± 0	± ---	2 PLACES	± 0.15	± ---	1 PLACE	± 0.2	± ---	MM ONLY	5:1	METRIC	
			mm	INCH																		
		4 PLACES	± ---	± ---																		
3 PLACES	± 0	± ---																				
2 PLACES	± 0.15	± ---																				
1 PLACE	± 0.2	± ---																				
	<table border="1"> <thead> <tr> <th>DRAWN BY</th> <th>DATE</th> </tr> </thead> <tbody> <tr> <td>SMK IM</td> <td>2009/03/17</td> </tr> <tr> <th>CHECKED BY</th> <th>DATE</th> </tr> <tr> <td>BCY00N</td> <td>2009/03/17</td> </tr> <tr> <th>APPROVED BY</th> <th>DATE</th> </tr> <tr> <td>EHJUNG</td> <td>2009/03/17</td> </tr> </tbody> </table>	DRAWN BY	DATE	SMK IM	2009/03/17	CHECKED BY	DATE	BCY00N	2009/03/17	APPROVED BY	DATE	EHJUNG	2009/03/17	TITLE	S8 BULB SOCKET WIRE SEAL-L							
DRAWN BY	DATE																					
SMK IM	2009/03/17																					
CHECKED BY	DATE																					
BCY00N	2009/03/17																					
APPROVED BY	DATE																					
EHJUNG	2009/03/17																					
	DRAFT WHERE APPLICABLE MUST REMAIN WITHIN DIMENSIONS	MATERIAL NO.	DOCUMENT NO.	SHEET NO.																		
		SEE TABLE1	SD-49454-003	1 OF 1																		