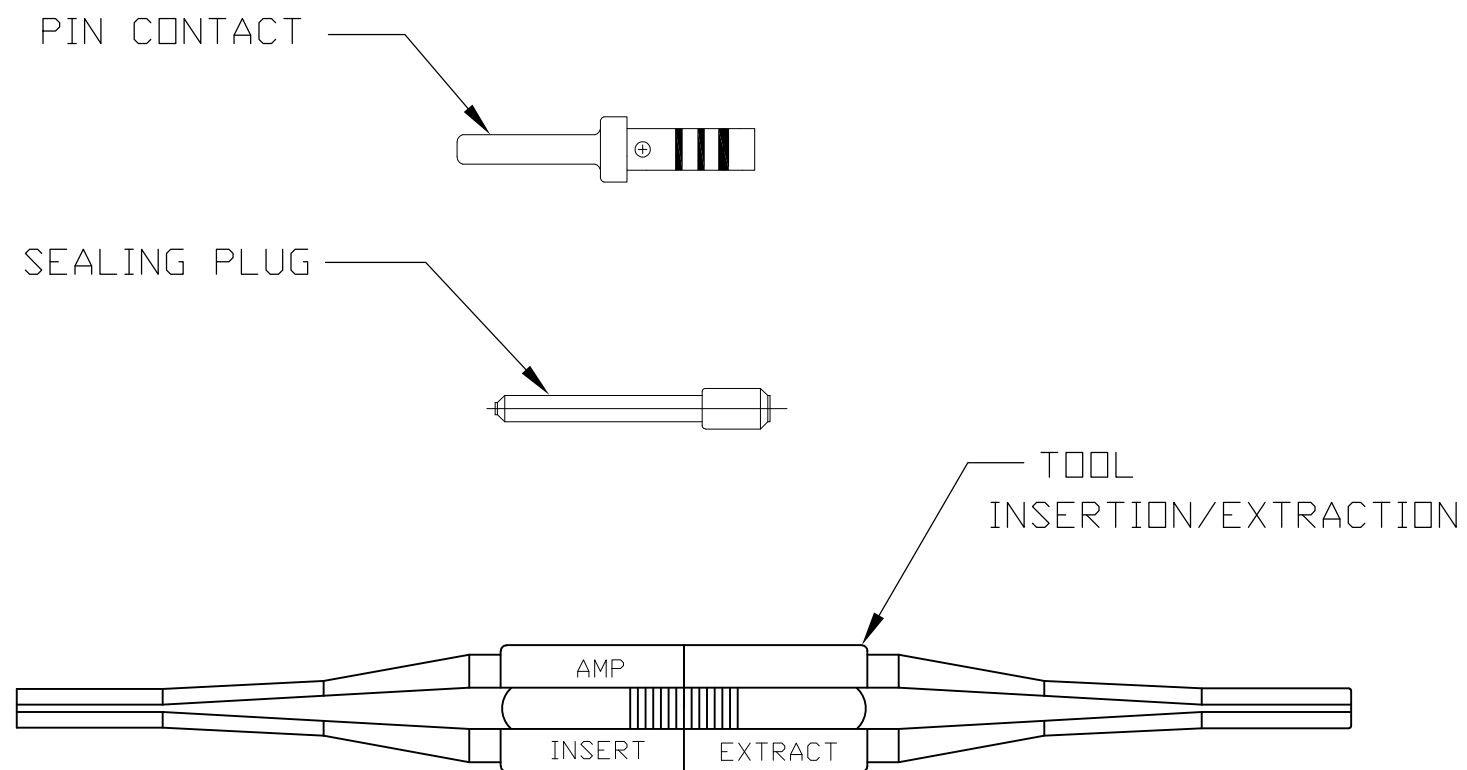
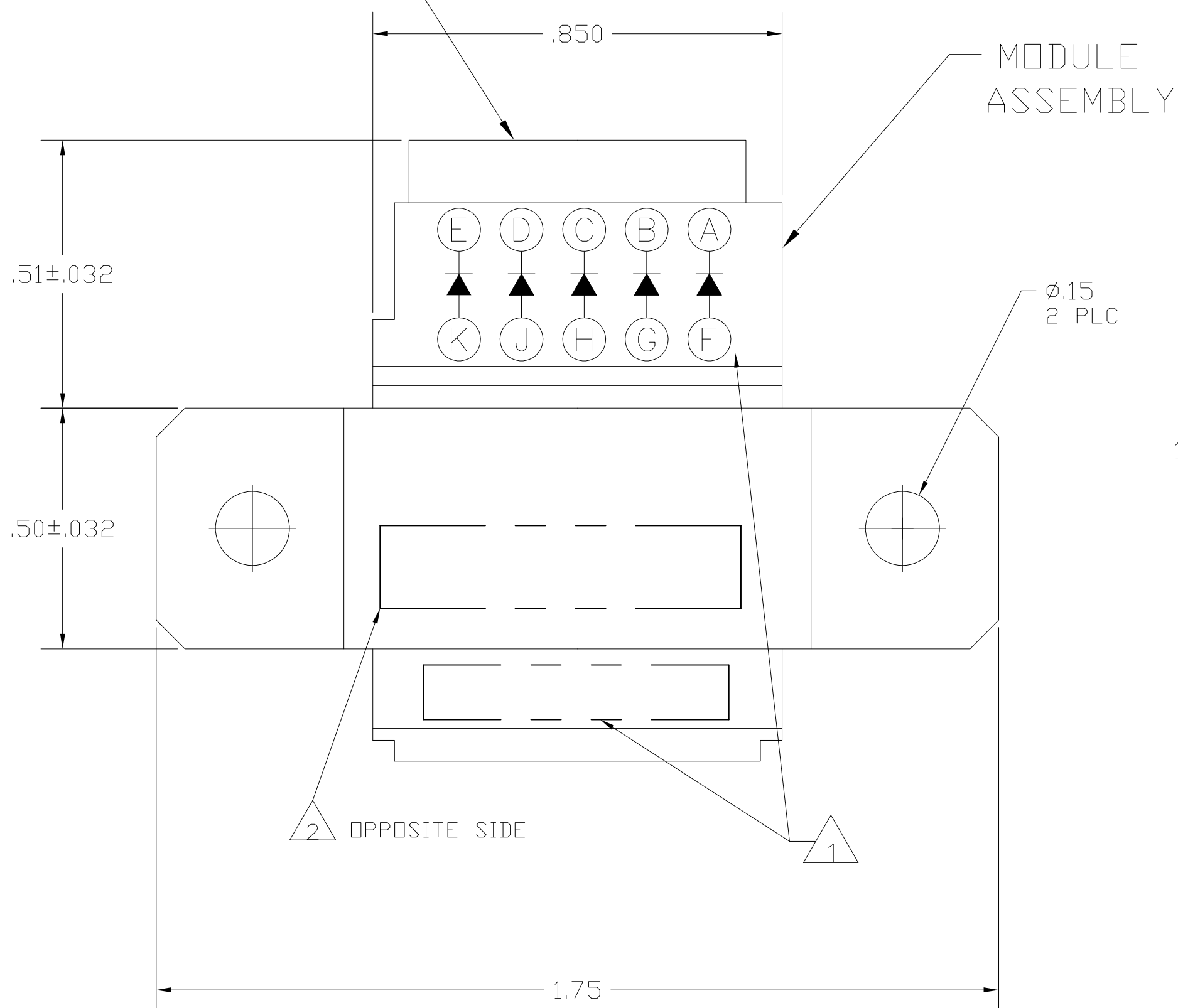
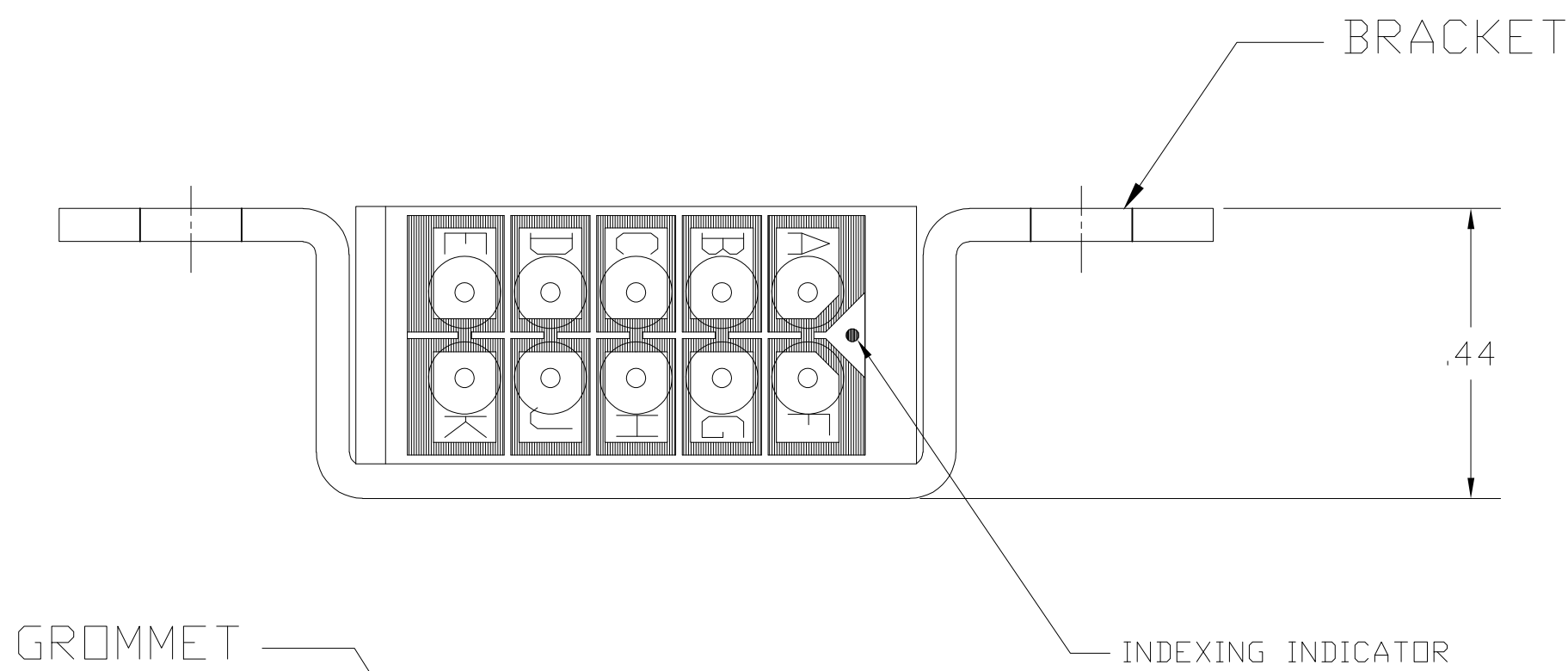


THIS DRAWING IS UNPUBLISHED. RELEASED FOR PUBLICATION
 © COPYRIGHT BY TYCO ELECTRONICS CORPORATION. ALL RIGHTS RESERVED.

LOC	DIST	REVISIONS			
P	LTR	DESCRIPTION	DATE	DWN	APVD
DF	-	REV PER ECO 08-000580	15JAN2009	PK	DE

- 1 ASSEMBLIES ARE IDENTIFIED WITH "AMP", AMP P/N, DATE CODE AND DIODE SCHEMATIC ON MODULE AT AREA SHOWN.
- 2 DIODE MAY BE A COMMERCIAL DIODE THAT HAS BEEN SCREENED TO MEET THE REQUIREMENTS OF JANTXIN5552.



DESCRIPTION	MATERIAL	FINISH
INSERTION/REMOVAL TOOL	THERMOPLASTIC	COLOR: RED
SEALING PLUG	TEFLON	COLOR: RED
PIN CONTACT	BRASS/LEADED COPPER	GOLD PLATE PER MIL-G-45204
GROMMET	FLUOROSILICONE RUBBER	COLOR: BLUE
MODULE ASSEMBLY	THERMOSET EPOXY	COLOR: BLACK
CONTACT, SOCKET ASSEMBLY	BERYLLIUM COPPER ASTM-B194	GOLD PLATE PER MIL-G-45204
CLIP CONTACT RETAINING	BERYLLIUM COPPER PER ASTM-B194 OR SST PER QQ-S-766	NONE
BRACKET	AL-ALLOY 6061-T4 (.050 THK)	CADMIUM PLATE PER QQ-P-416 CHROMATE COLOR OLIVE DRAB
DIODE JANTXIN5552		

THIS DRAWING IS A CONTROLLED DOCUMENT.

DWN	J. MECK	7-27-92
CHK	J. HARMON	8-10-93
APVD	J. HARMON	8-10-93

Tyco Electronics Corporation
Harrisburg, PA 17105-3608

NAME: MODULE, FEED- BACK ASSY (MRTB) SIZE 20

SIZE	CAGE CODE	DRAWING NO	RESTRICTED TO
A2	00779	C=591856	-

CUSTOMER DRAWING SCALE: 4:1 SHEET 1 of 1 REV E