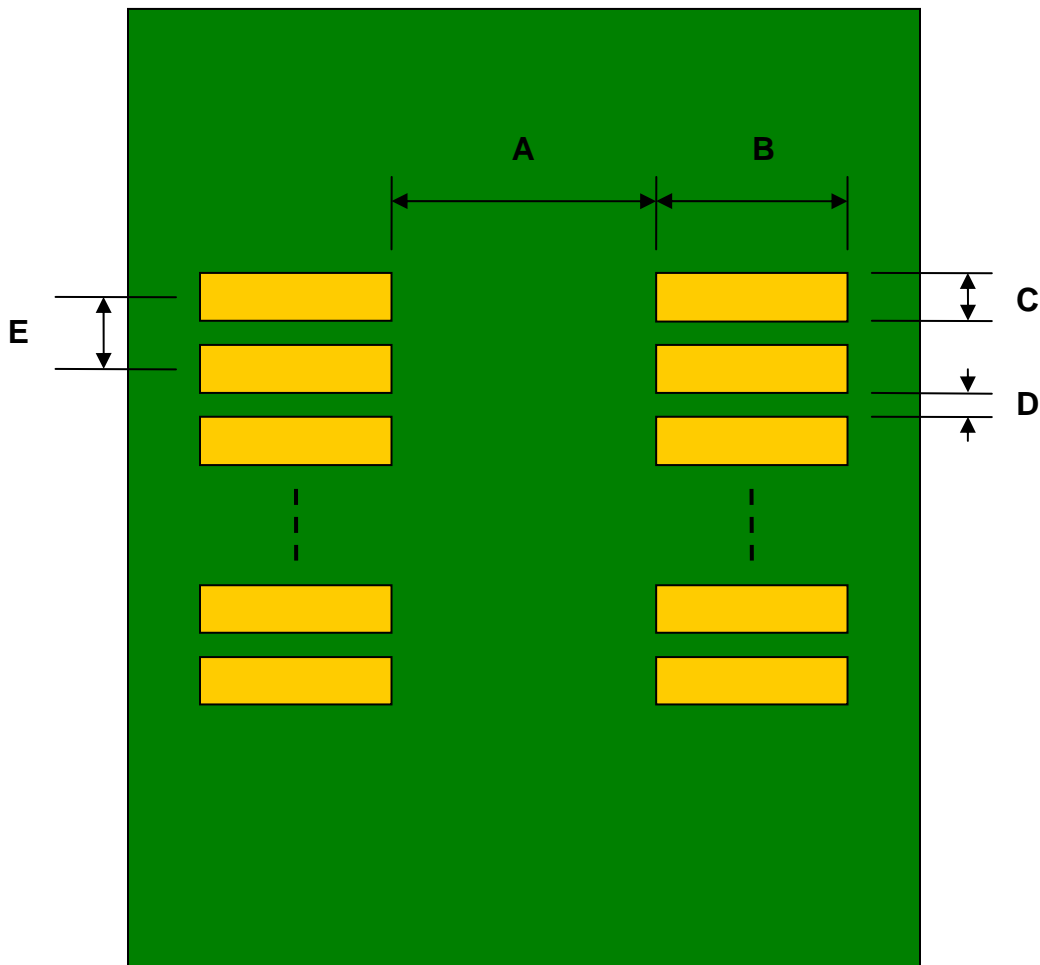


SSOP-36 to DIP-36 SMT Adapter (0.8 mm pitch, 15.4 x 7.5 mm body)

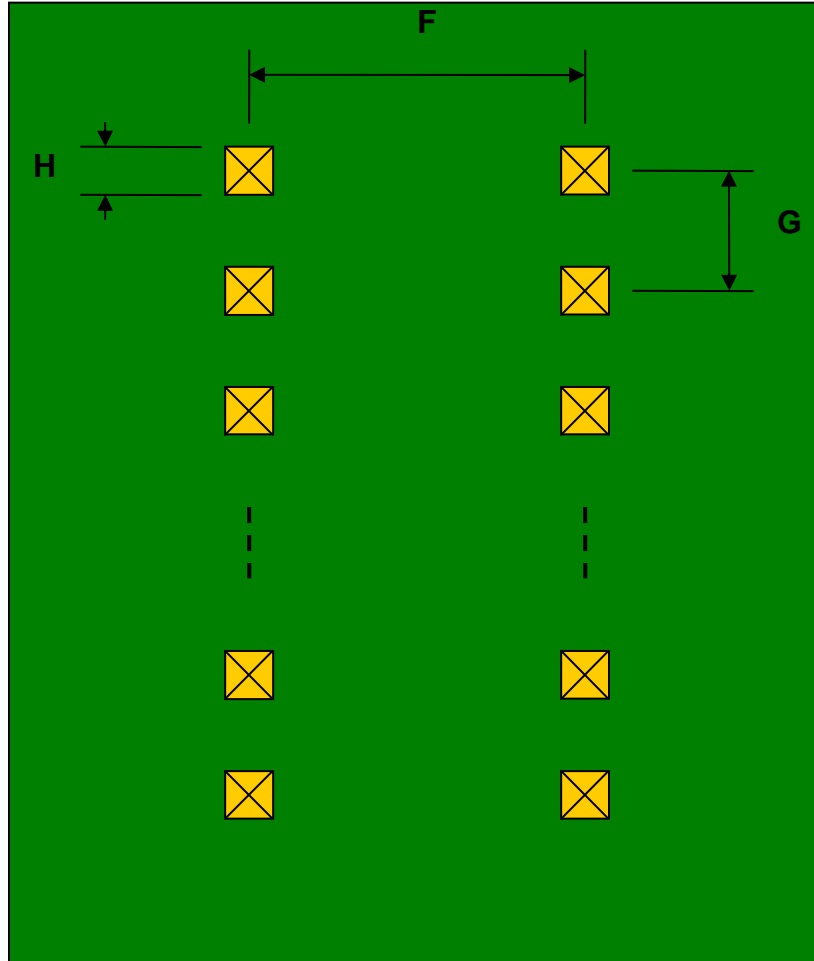
REF.	DIMENSIONS					
	mm			inches		
	MIN.	TYP.	MAX.	MIN.	TYP.	MAX.
A		7.80				
B		1.70				
C		0.45				
D		0.35				
E		0.80				
F					0.600	
G					0.100	
H					0.025	

Top View (SMT Footprint)



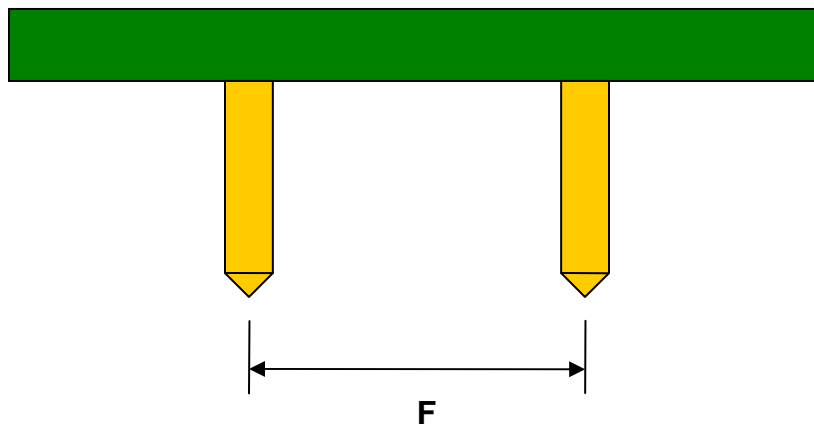
(Representative drawing only - not to scale)

Bottom View (DIP Pins)



(Representative drawing only - not to scale)

Side View (DIP Pins)



(Representative drawing only - not to scale)