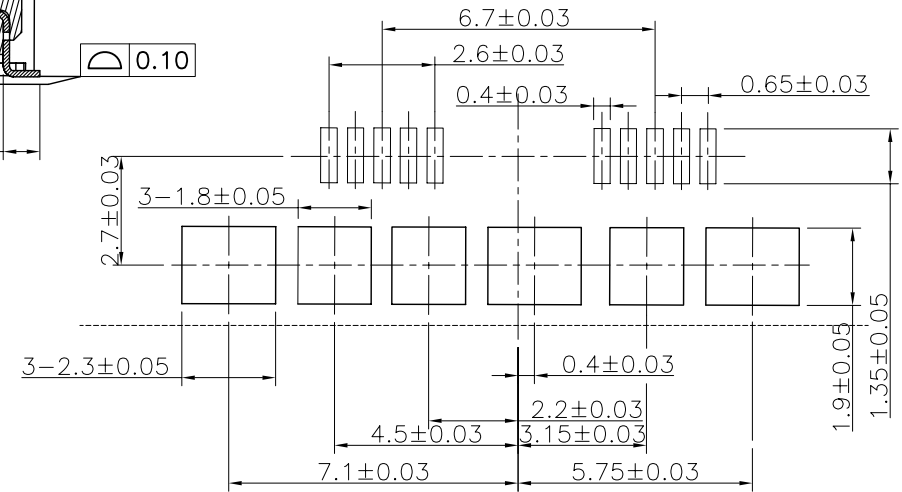
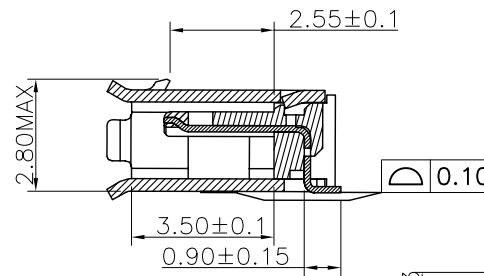
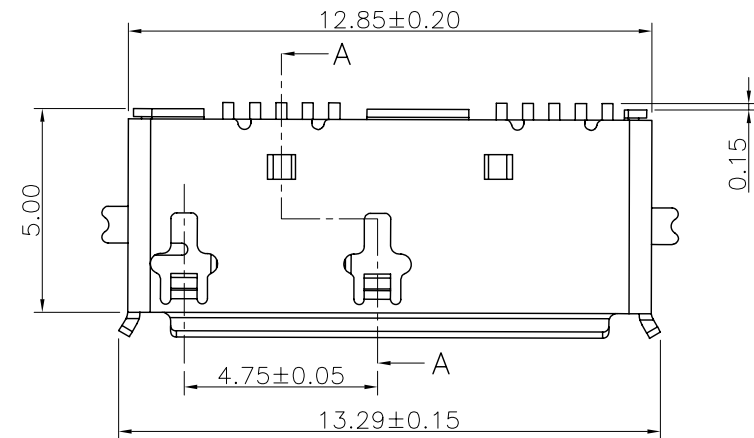
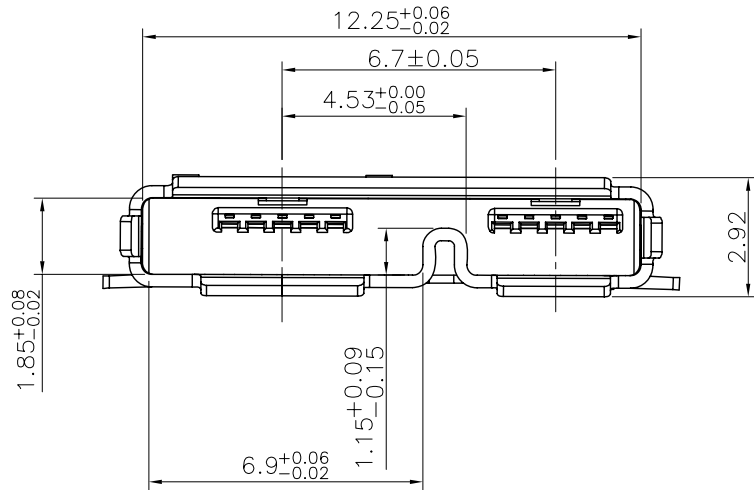
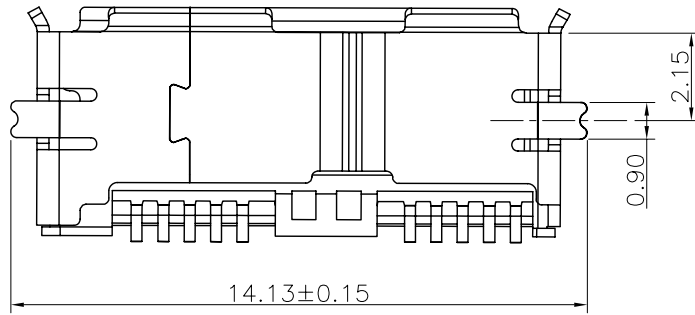


|     |         |     |          |
|-----|---------|-----|----------|
| REV | ECN.NO: | B Y | DATE     |
| A0  | NEW DWG | ING | 10/06/02 |

| Pin Number | Signal Name |
|------------|-------------|
| 1          | VBUS        |
| 2          | D-          |
| 3          | D+          |
| 4          | ID          |
| 5          | GND         |
| 6          | MicB_SSTX-  |
| 7          | MicB_SSTX+  |
| 8          | GND_DRAIN   |
| 9          | MicB_SSRX-  |
| 10         | MicB_SSRX+  |
| Shell      | Shield      |

NOTES:  
 INSULATOR:LCP.COLOR-BLACK  
 USB CONTACT:BRASS 0.15MM THICKNESS,SELECTIVE GOLD  
 PLATED ON CONTACT AREA, GOLD FLASH PLATED  
 ON SOLDER TAIL,  
 80U" MIN NICKEL UNDERPLATED OVERALL,  
 SHELL:0.3MM THICKNESS ,FLASH  
 PLATED ON THE SOLDERING TAB.



|  |       |                       |        |                             |  |                            |       |      |      |      |
|--|-------|-----------------------|--------|-----------------------------|--|----------------------------|-------|------|------|------|
| -TOLERANCES-<br>UNLESS OTHERWISE SPECIFIED |       | <b>CnC Tech . LLC</b> |        |                             |  |                            |       |      |      |      |
|  |       |                       |        | TITLE: MICRO USB 3.0-AB SMT |  |                            |       |      |      |      |
| X.X  | ±0.25 | X.X°                  | ±3.00° | APPD:                       |  | PRODUCT NO: 1003-005-23100 |       |      |      |      |
| X.XX                                       | ±0.20 | X.XX°                 | ±1.00° | CHECK:                      |  | DATE                       | SCALE | UNIT | TYPE | PAGE |
| X.XXX                                      | ±0.10 | X.XXX°                | ±0.05° | DRAW:                       |  | 2010.06.02                 | FREE  | MM   | Z    | 1    |