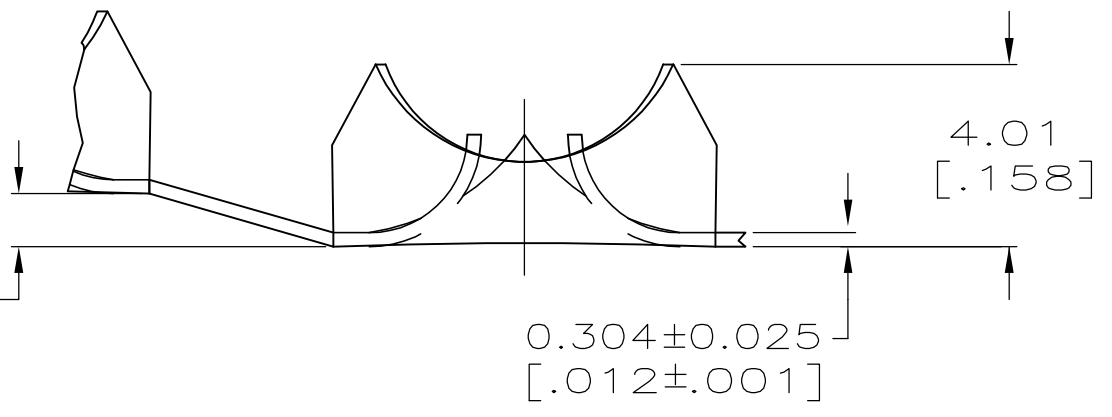
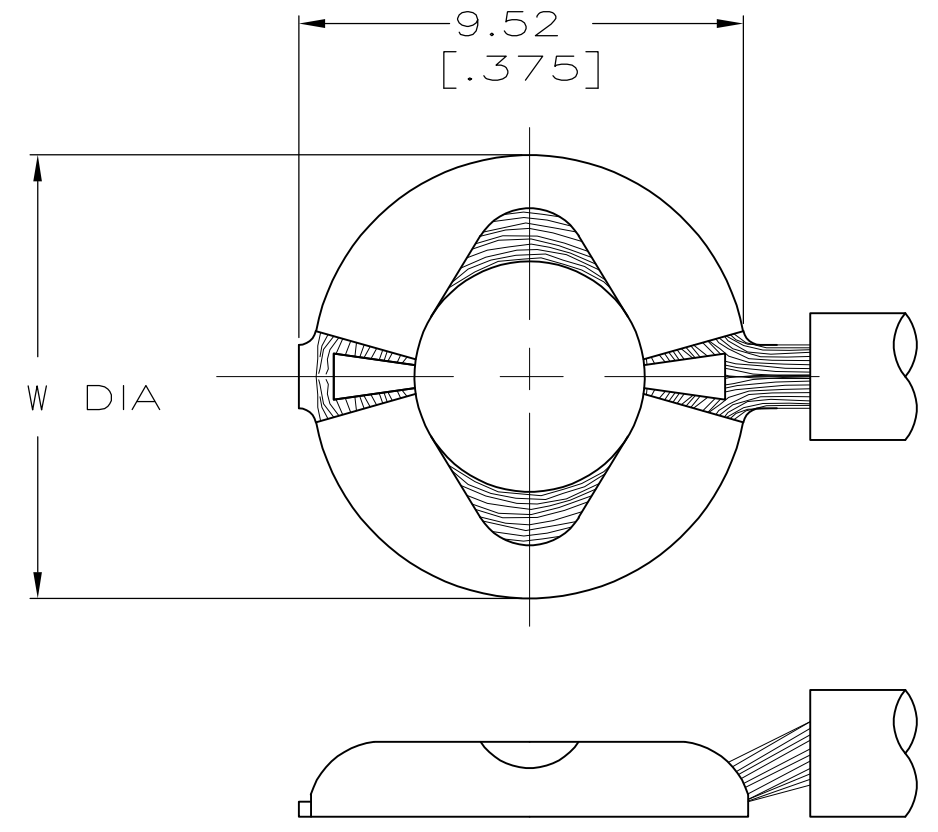
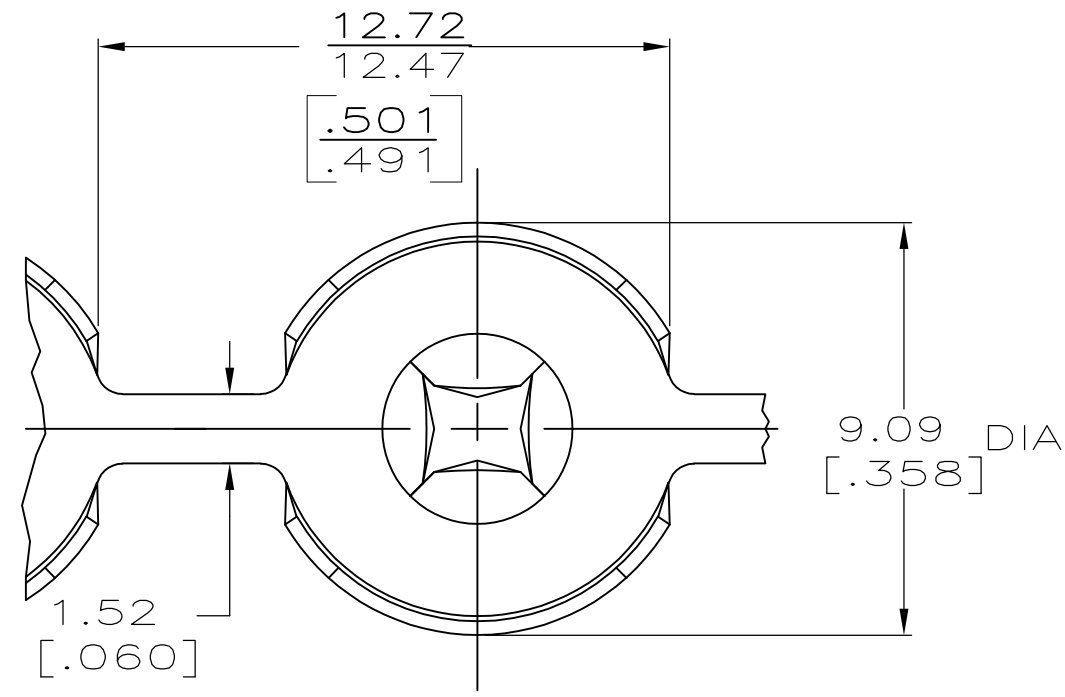


THIS DRAWING IS UNPUBLISHED. RELEASED FOR PUBLICATION  
 © COPYRIGHT BY TYCO ELECTRONICS CORPORATION. ALL INTERNATIONAL RIGHTS RESERVED.

LOC	DIST	REVISIONS					
AF	50	P	LTR	DESCRIPTION	DATE	DWN	APVD
		AA1		REVISED PER ECR 10-007002	31MAR10	JR	PD

1 CONTINUOUS STRIP ON REELS  
 2 PRELIMINARY — NOT FOR PRODUCTION



8.84 [.348]	4.93 [.194]	40629-1 D	40629 D
9.78 [.385]	5.31 [.209]	40629-1 C	40629 C
9.78 [.385]	4.93 [.194]	40629-1 B	40629 B
9.78 [.385]	4.62 [.182]	40629-1 A	40629 A
W	0.13 HOLE DIA ± [.005]	WITH PAPER	NO PAPER
		TOOLING DESIGNATION FOR APPLICATOR	

WITH INTERLEAFING PAPER	0.8mm <sup>2</sup> -2.0mm <sup>2</sup>	2 40629-1
STANDARD	[18-14] AWG	40629
REELING	WIRE SIZE	PART NO.

THIS DRAWING IS A CONTROLLED DOCUMENT.

DIMENSIONS: INCHES	TOLERANCES UNLESS OTHERWISE SPECIFIED:	DWN P FORTNEY 1/26/90	Tyco Electronics Corporation Harrisburg, PA 17105-3608		
	0 PLC ± -	CHK MS FEHER 1/26/90			
	1 PLC ± -	APVD G YETTER 1/26/90			
	2 PLC ± -	NAME			
	3 PLC ± 0.38 [.015]	PRODUCT SPEC			
4 PLC ± -	APPLICATION SPEC	EYELET, CROWN CRIMP			
ANGLES ± -	FINISH	SIZE	CAGE CODE	DRAWING NO	RESTRICTED TO
#1 HARD BRASS	-	—	A300779	C-40629	—

CUSTOMER DRAWING SCALE 6:1 SHEET 1 OF 1 REV AA1