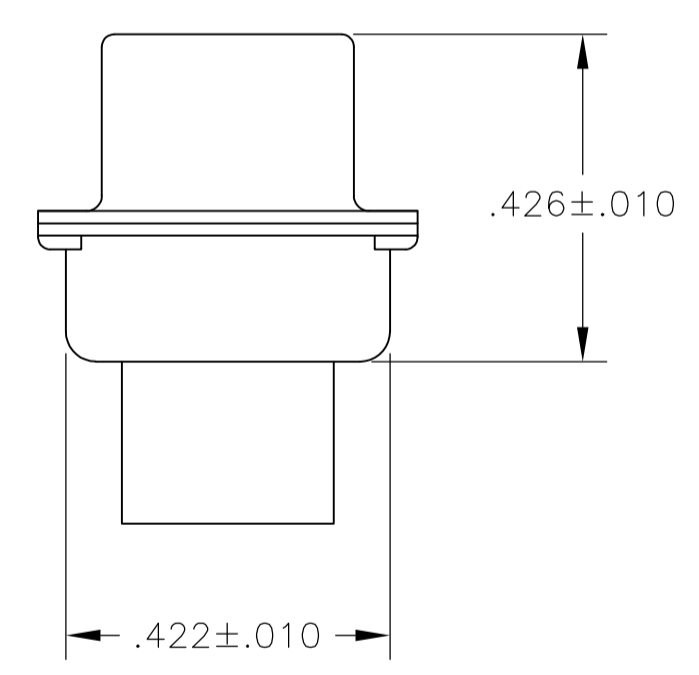
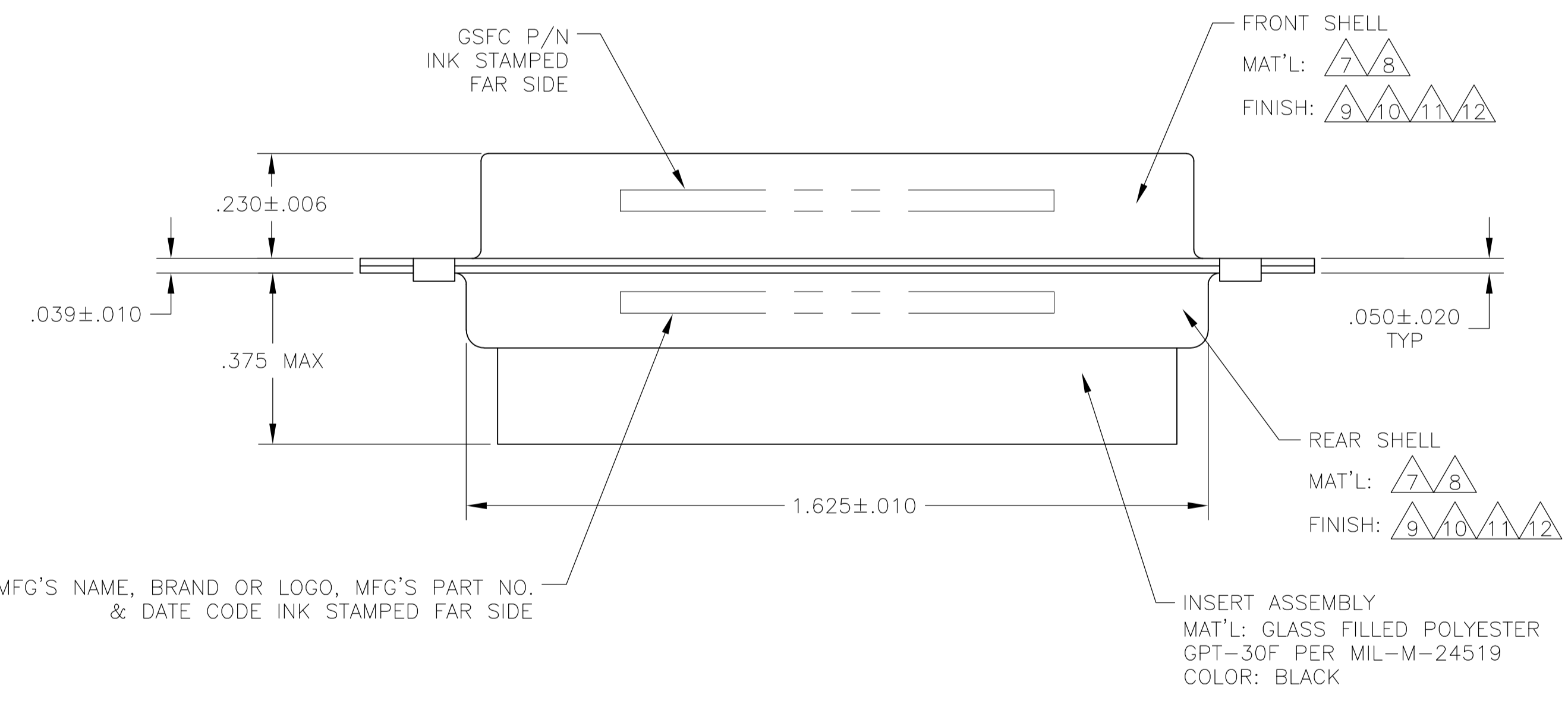


1. THIS PLUG WILL MATE WITH ANY 13C3, SIZE 3 RECEPTACLE IN AMPLIMITE SERIES.
 2. MAXIMUM WIRE INSULATION TO BE USED WITH THIS PLUG IS $\phi.068$.
 3. THIS CONNECTOR ACCEPTS (3) POWER 8, OR COAX PIN CONTACTS IN POSITIONS A1 THRU A3, PURCHASED SEPARATELY.
 4. THIS CONNECTOR ACCEPTS SIZE 20 PIN SIGNAL CONTACTS IN POSITIONS 1 THRU 10, PURCHASED SEPARATELY.
5. GROUNDING INDENTS FOR 208810-2 & 5-208810-2 ONLY (NOT SHOWN ON DRAWING).
6. UL/CSA DESIGNATION STAMPED IN THIS AREA, OPTIONAL.
7. STEEL PER ASTM-A-109.
8. BRASS PER MIL-C-50 AND ASTM-B-36 UNS NO. C26000.
9. FINISH: TIN PER ASTM-B-545 .000400 MIN THK OVER COPPER PER AMS2418 .000050 MIN THK.
10. CADMIUM PLATED PER QQ-P-416.
11. FINISH: GOLD PLATED PER MIL-G-45204 TYPE II, GRADE C, CLASS 1 OVER COPPER PER MIL-C-14550, CLASS IV.
12. FINISH: ZINC PLATE PER ASTM-B-633, .000200-.000400 THK WITH SUPPLEMENTARY CHROMATE (Cr3+)



5 7 9	.120	-	5-208810-2
7 12	.120	-	5-208810-1
8 11	.154	311P405-12P-B-15	208810-4
8 11	.120	311P405-12P-B-12	208810-3
5 7 9	.120	-	208810-2
7 10	.120	-	208810-1
REMARKS	ØA	GSFC P/N	MFG'S PART NO.

THIS DRAWING IS A CONTROLLED DOCUMENT.

DIMENSIONS: INCHES	TOLERANCES UNLESS OTHERWISE SPECIFIED:	DIN C.C.THOMAS 04FEB88	APPROVED A.FMADI 09FEB88	NAME
0 PLC ± -	1 PLC ± -	2 PLC ± -	3 PLC ± .005(0.13)	4 PLC ± -
ANGLES ± 0°30'				
MATERIAL	FINISH	WEIGHT	SIZE A1	SCALE 4:1

STE TE Connectivity

PLUG ASSEMBLY
 AMPLIMITE 13C3
 SIZE 3, SERIES 109, COAX MIX

00779-208810

CUSTOMER DRAWING SHEET 1 OF 1 REV R