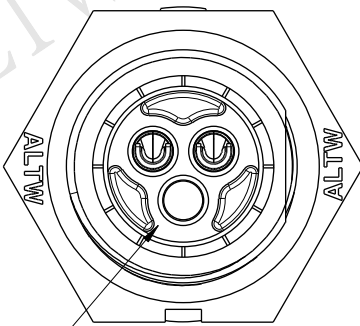


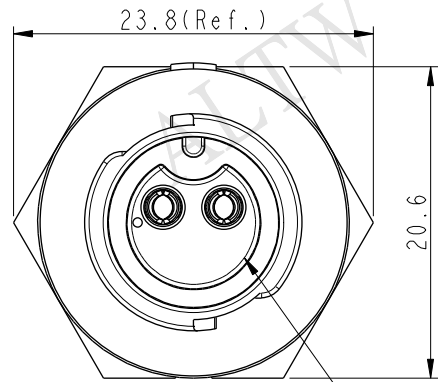
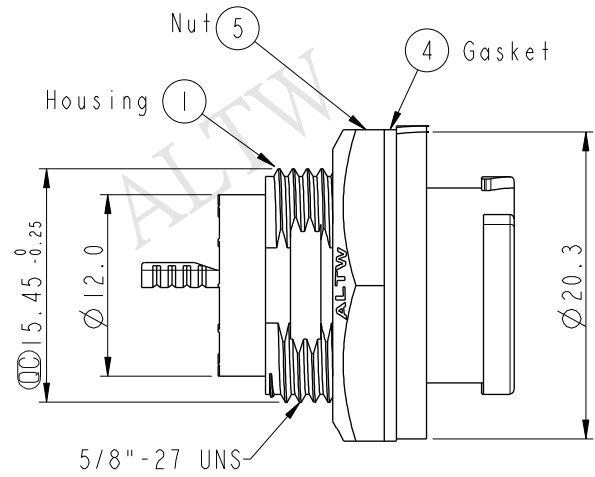
THIS DOCUMENT IS SUBJECT TO CHANGE WITHOUT NOTICE. IT IS CONFIDENTIAL AND A PROPERTY OF Amphenol LTW. DISCLOSURE TO THIRD PARTY HAS TO BE AUTHORIZED BY Amphenol LTW.

REV.	ECN NO.	DATE	SIGN	DESCRIPTION

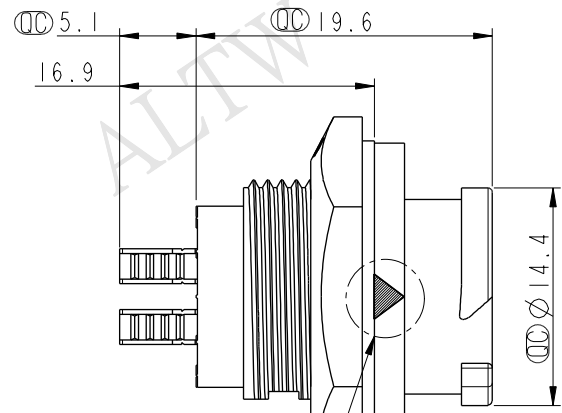
**ALTW**  
 CONFIDENTIAL  
 2014-09-12  
 R&D DEPT.



With Liquid Glue

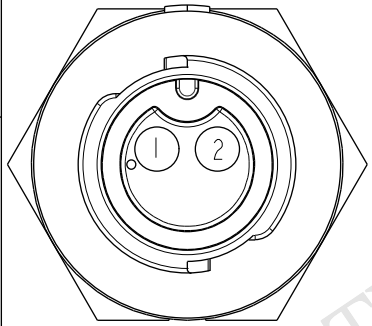


2 Terminal

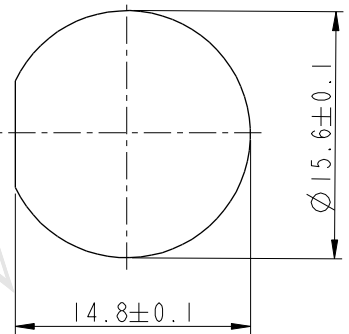


**ALTW**  
 DCC. DEPT.  
 CONFIDENTIAL  
 2014.11.26  
 ISSUED

- Note:
- \*  $\varnothing$  Important Dimension To Check.
  - \* Waterproof Rate: IP68
  - \* Working Voltage Rating: AC 300 V
  - \* Working Current Rating: 10A
  - \* Flame Class: UL94V-0 (UV Resistance)
  - \* Housing: Nylon+GF, Black
  - \* Female Pin: Copper Alloy, Gold Plated
  - \* Nut: Nylon+GF, Black
  - \* Gasket: Silicone, Gray
  - \* Panel Thickness Maximum: 4.5mm



Pin Assignments  
Front View



Recommended Panel Cut-out

<b>UNIT:mm</b>	
<b>TOLERANCE</b> X ±0.25	

TITLE X Lok B-Size Receptacle M Conn F 2 Pin			
SCALE 2:1	SIZE A4	SHEET 1 OF 1	
REV. A	WC-REV. A.2	$\varnothing$ : Inspection item	

**Amphenol LTW**  
 安費諾亮泰企業股份有限公司

ITEM NO BB-02RMFS-OC8001	DRAWN BY Micky	DATE 2014-09-12
DWG NO BB-02RMFS-OC8001	CHECKED BY Spring	DATE 2014-09-12
CUSTOMER ALTW	APPROVED BY Kevin	DATE 2014-09-12