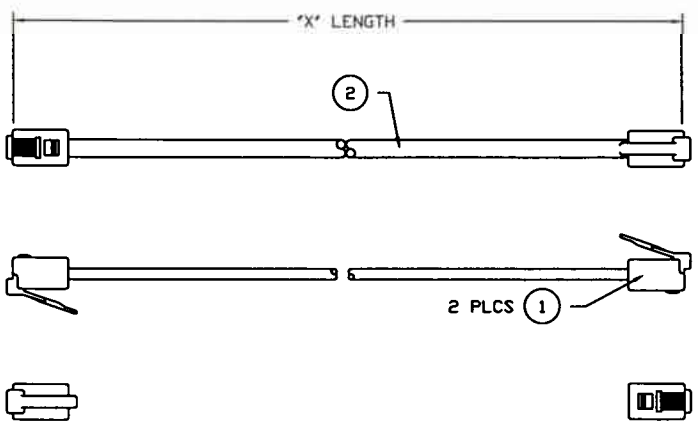


THESE DRAWINGS AND SPECIFICATIONS ARE THE SOLE PROPERTY OF I/O INTERCONNECT INC., U.S.A. AND SHALL NOT BE REPRODUCED, COPIED, OR USED IN ANY MANNER WITHOUT THE PRIOR WRITTEN CONSENT OF I/O INTERCONNECT INC. OR ITS AFFILIATED SUBSIDIARIES.

DWG. NO.	ZONE	REV.	DESCRIPTION	DATE	APPROVED
XX4-502-D		B	ECN C285	08/21/01	K.C.
		C	ADD NOTE & CHANGE P/N TO ROHS COMPLIANT PER ECN D628	04/22/05	M.G.



WIRE DIAGRAM

	P1		P2
1	BLACK		1
2	RED		2
3	GREEN		3
4	YELLOW		4

NOTES: UNLESS OTHERWISE SPECIFIED.

- CABLE TO BE BUNDLED AND TWIST TIED.
- TEST CABLE FOR OPENS & SHORTS.
- PACKAGE CABLE ASSEMBLY INDIVIDUALLY IN PLASTIC BAG. PACKAGE INDIVIDUAL BAG PER LOT NUMBER QUANTITIES.
- PLACE BAR CODE LABEL ON THE OUTSIDE OF EACH SHIPPING BOX LABEL DETAIL SEE DWG 090-990-001.
- ALL METRICAL SHOULD BE ROHS COMPLIANT.

GLF-444-254-502-D	25.0 FT ± 4.0 IN 7.62 M ± 101.6 MM
GLF-444-144-502-D	14.0 FT ± 3.0 IN 4.27 M ± 76.2 MM
GLF-444-074-502-D	7.0 FT ± 2.0 IN 2.13 M ± 50.8 MM
PART NUMBER I/O INTERCONNECT	LENGTH "X"

ITEM	QTY	MFG.	IDI PART NO.	DESCRIPTION
2	"X"	IDI	GLF-120-410-020	MODULAR CABLE, 26 AWG (7/34) BARE COPPER, 4 CONDUCTOR, UNSHIELDED, WHITE PVC. ROHS COMPLIANT.
1	2 PCS	IDI	GLF-325-441-50X	CONNECTOR, MODULAR PLUG, 4 POSITION, 4 CONDUCTOR, 50μ" Au, FLAT TYPE EXIT. ROHS COMPLIANT.

CABLE ASSEMBLY PARTS LIST

THIRD ANGLE PROJECTION

UNLESS OTHERWISE NOTED:
1) DIMENSIONS ARE IN INCHES (MILLIMETER)
2) TOLERANCES:
X.XX ± 0.25 (6.35)

I/O INTERCONNECT
SANTA ANA, CALIFORNIA

TITLE: 4P4C MODULAR, REVERT STYLE, WHITE, CABLE ASSEMBLY

PART NO: GLF-444-XX4-502-D
DWG NO: GLF-444-XX4-502-D

CUSTOMER: DIGI KEY
REV: C

SCALE: NONE
SHEET 1 OF 1