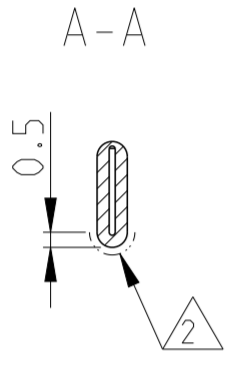
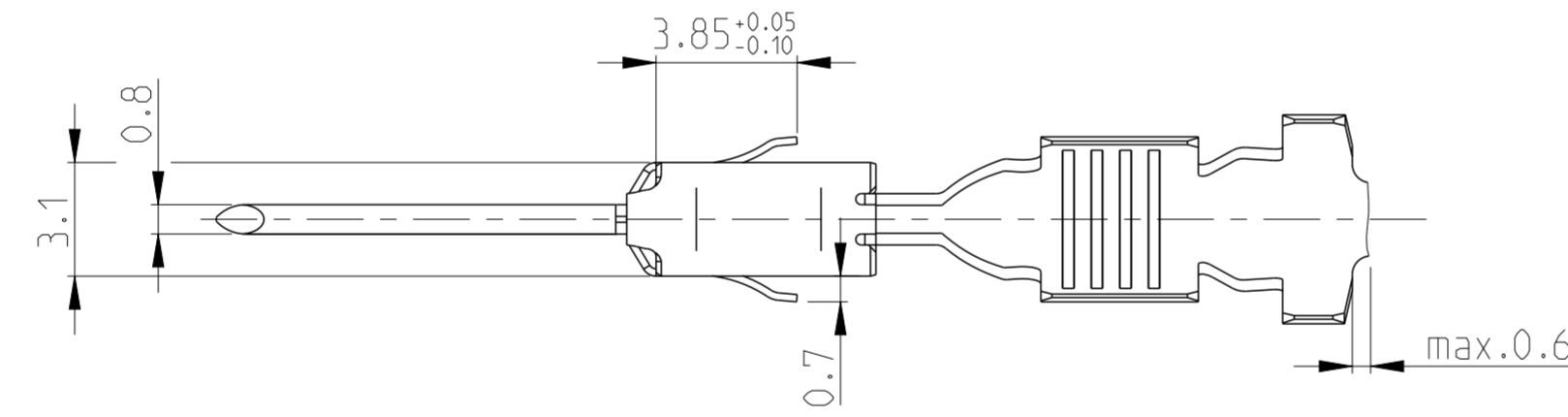
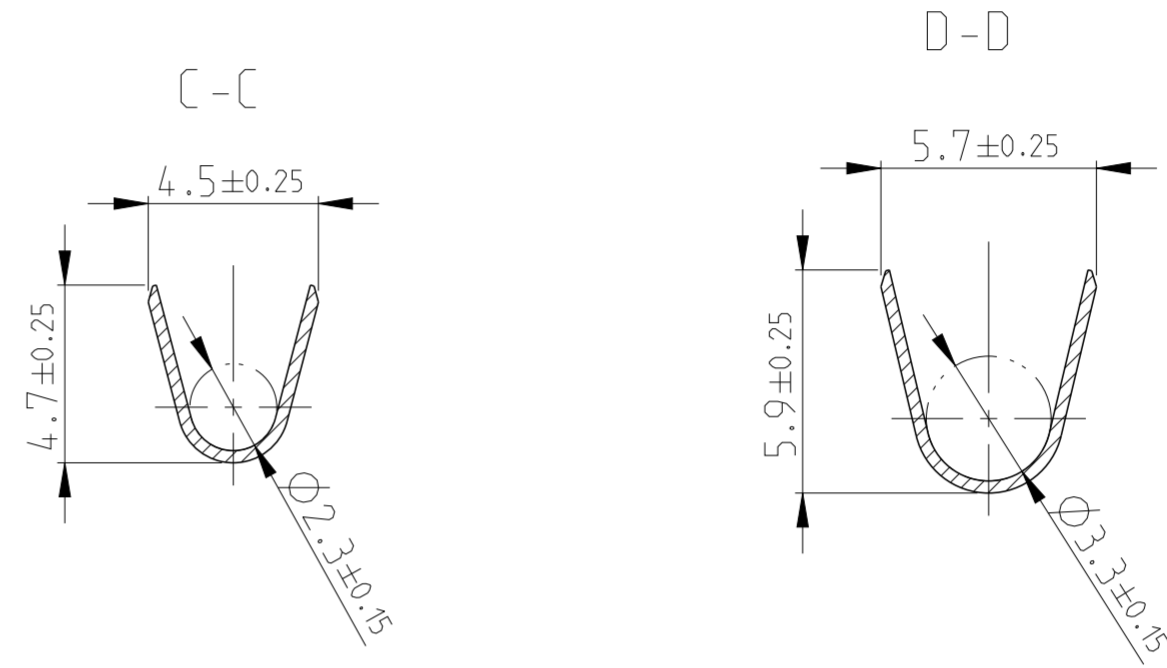
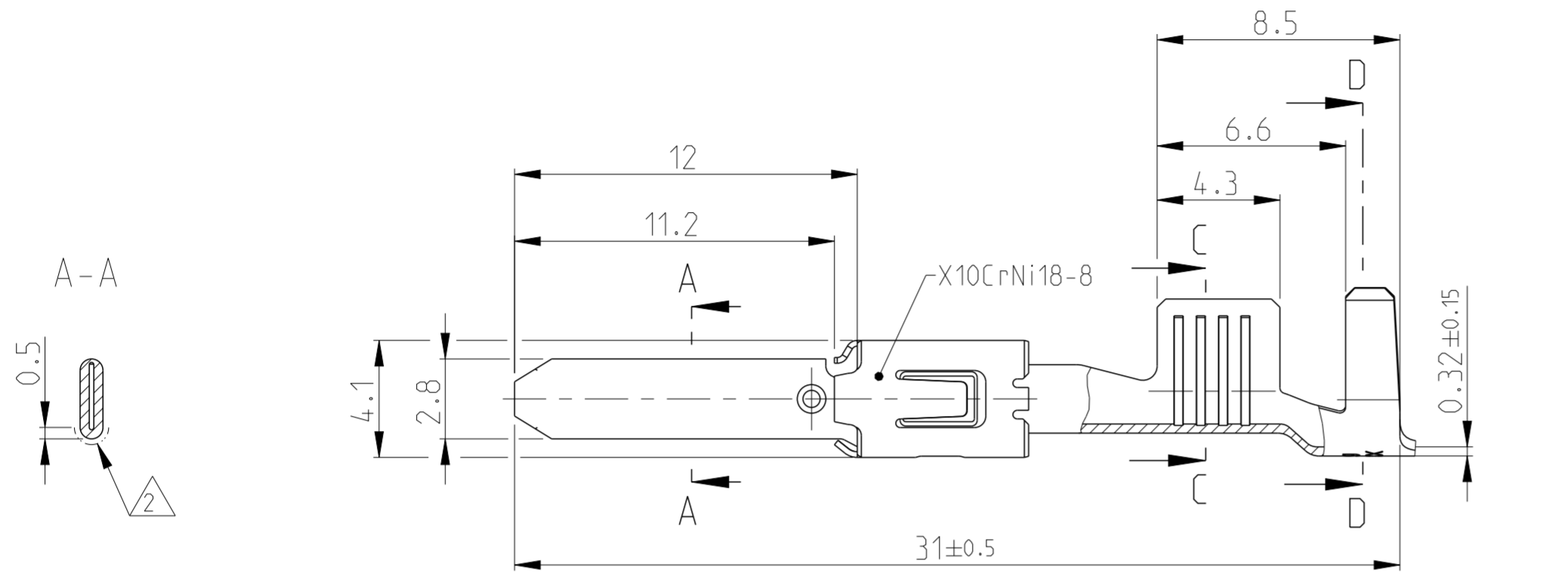


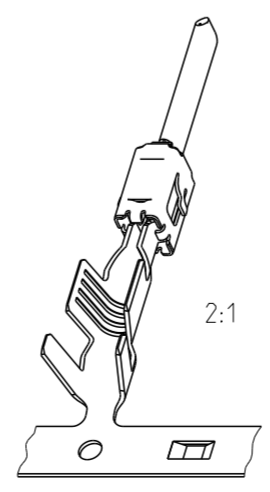
THIS DRAWING IS UNPUBLISHED. RELEASED FOR PUBLICATION 2011  
 © COPYRIGHT 2011 Tyco Electronics AMP GmbH ALL RIGHTS RESERVED.

LOC	DIST	REVISIONS			
P	LTR	DESCRIPTION	DATE	DWN	APVD
A	-	New drawing created.	07DEC2011	Kirs.	Schus
A1	-	Loose Piece removed	12SEP2016	BREN	MERZ



NOTES  
Bemerkungen

- 1 CONTACT AREA PRE SILVER MIN. 3µm  
CANTILEVER SPRING PLAIN  
Kontaktzone vorversilbert min. 3µm  
Ueberfeder blank
- 2 ----- IN THIS AREA CRACK SHAPING AT THE SURFACE PERMISSIBLE  
In diesem Bereich Rissbildung in der Oberflaeche zulaessig



WIRE RANGE >2.5-4.0 mm <sup>2</sup>		INS. RANGE 2.7-3.7 mm		△ SURFACE	CuFe MATERIAL	2-2141600-2 PART NO.	A REV
THIS DRAWING IS A CONTROLLED DOCUMENT.				DWN J.Kirschbaum 24MAY2011	TE Connectivity NAME TAB 2.8 x 0.8 Flachstecker 2.8 x 0.8		
DIMENSIONS: mm		TOLERANCES UNLESS OTHERWISE SPECIFIED:		CHK M.Schuster 24MAY2011			
		$\pm 0.2$ $\pm 1.5^\circ$		PRODUCT SPEC 108-18063		SIZE A2	
MATERIAL		FINISH		APPLICATION SPEC 114-18051		CAGE CODE 00779	
CUSTOMER DRAWING				WEIGHT -		DRAWING NO C-2141600	
				SCALE 5:1		SHEET 1 OF 1	
						REV A1	