

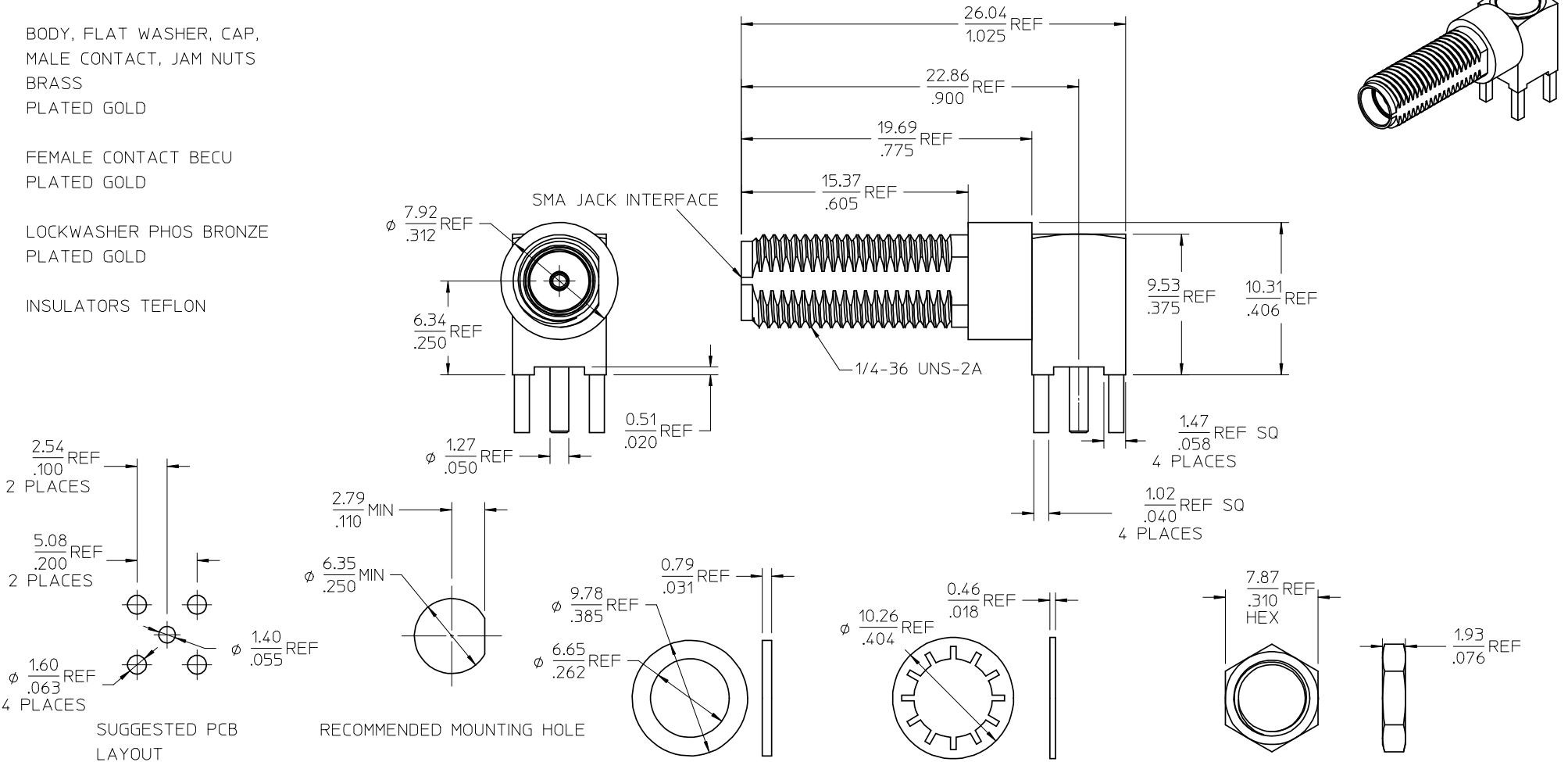
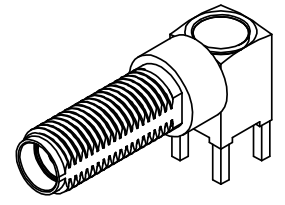
MATERIALS AND FINISHES

BODY, FLAT WASHER, CAP,
MALE CONTACT, JAM NUTS
BRASS
PLATED GOLD

FEMALE CONTACT BECU
PLATED GOLD

LOCKWASHER PHOS BRONZE
PLATED GOLD

INSULATORS TEFLON



SUGGESTED PCB LAYOUT

RECOMMENDED MOUNTING HOLE

FLAT WASHER

LOCKWASHER

JAM NUT
(TWO SUPPLIED)

PART NUMBER 73251-2400

PS-89675-2820	PRODUCT SPECIFICATION
MIL-STD-348A, FIG. 310-2	INTERFACE
SPECIFICATION	DESCRIPTION

CHG: UPDATE PCB LAYOUT EC NO: URF2008-0387 DRWN:WIENER 2008/01/29 CHKD:SSH AH 2008/01/29 APPR:WIENER 2008/01/29	QUALITY SYMBOLS ▽=0 ▽=0	GENERAL TOLERANCES (UNLESS SPECIFIED)	DIMENSION STYLE MM/IN	SCALE	DESIGN UNITS METRIC	THIRD ANGLE PROJECTION
		4 PLACES ± .005 REF SQ 3 PLACES ± .005 REF SQ 2 PLACES ± .005 REF SQ 1 PLACE ± .005 REF SQ ANGULAR ± 2°	DRAWN BY DATE CHECKED BY DATE APPROVED BY DATE	TITLE SMA JACK, R/A PCB 50 OHMS EWR 2331 SMA-J/RA/PCB	MATERIAL NO. 732512400	
DRAFT WHERE APPLICABLE MUST REMAIN WITHIN DIMENSIONS		THIS DRAWING CONTAINS INFORMATION THAT IS PROPRIETARY TO MOLEX INCORPORATED AND SHOULD NOT BE USED WITHOUT WRITTEN PERMISSION				