

1

2

3

4

5

6

A

B

C

D

A

B

C

D

REV	Description	DATE	BY
v1.0	Initial product release.	3,8,2016	Xiangnan.Qu

<h1>Seeed Studio</h1>		
TITLE: Wio Node v1.0		
Design: Xiangnan Qu	Check:	
Date: 16/3/8 22:11	Vision:	Sheet: 1/2

CC-BY-SA

1

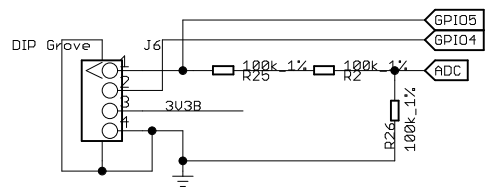
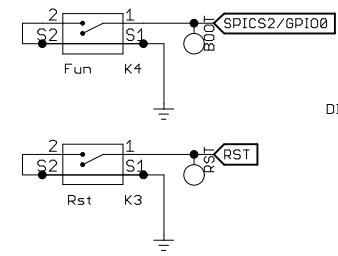
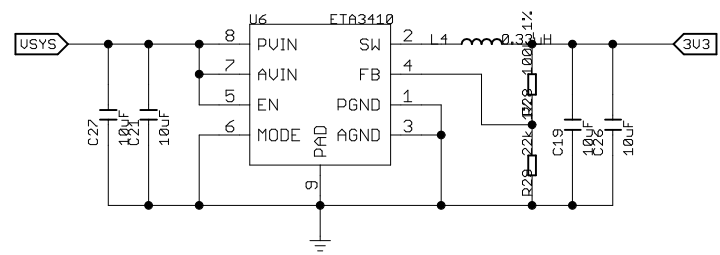
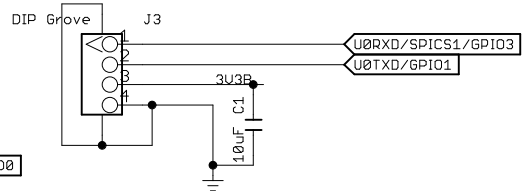
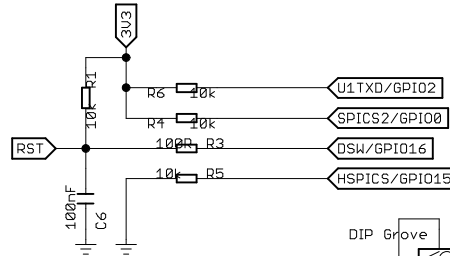
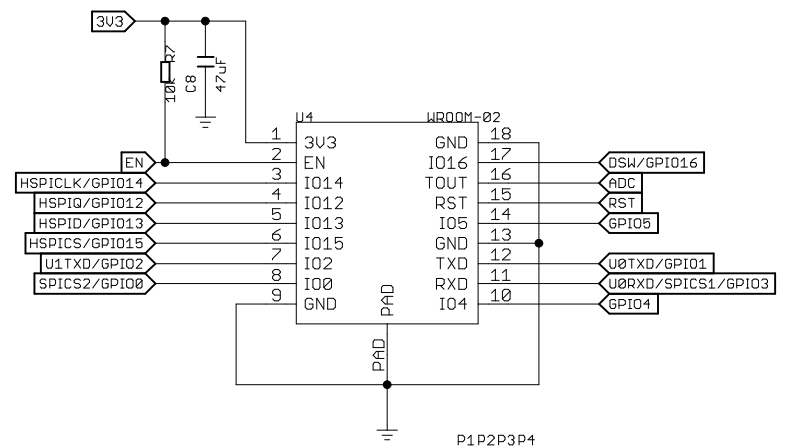
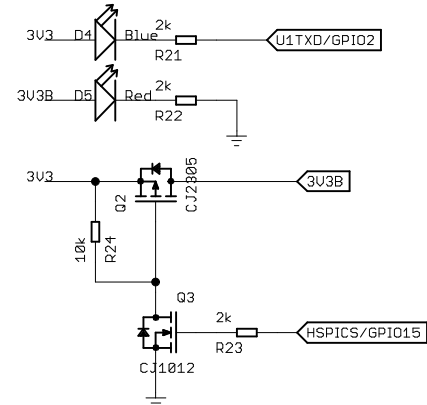
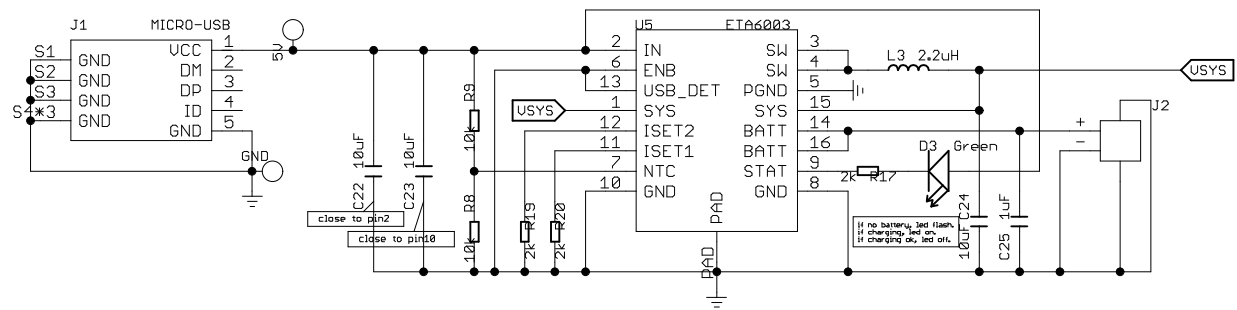
2

3

4

5

6



Seeed Studio

	MTDO	GPIO0	GPIO2
SDIO	1	X	X
UART	0	0	1
FLASH	0	1	1

TITLE: Wio Node v1.0

CC-BY-SA	Design: Xiangnan Qu	Check:
	Date: 16/3/8 7:11:22	Vision: