

4

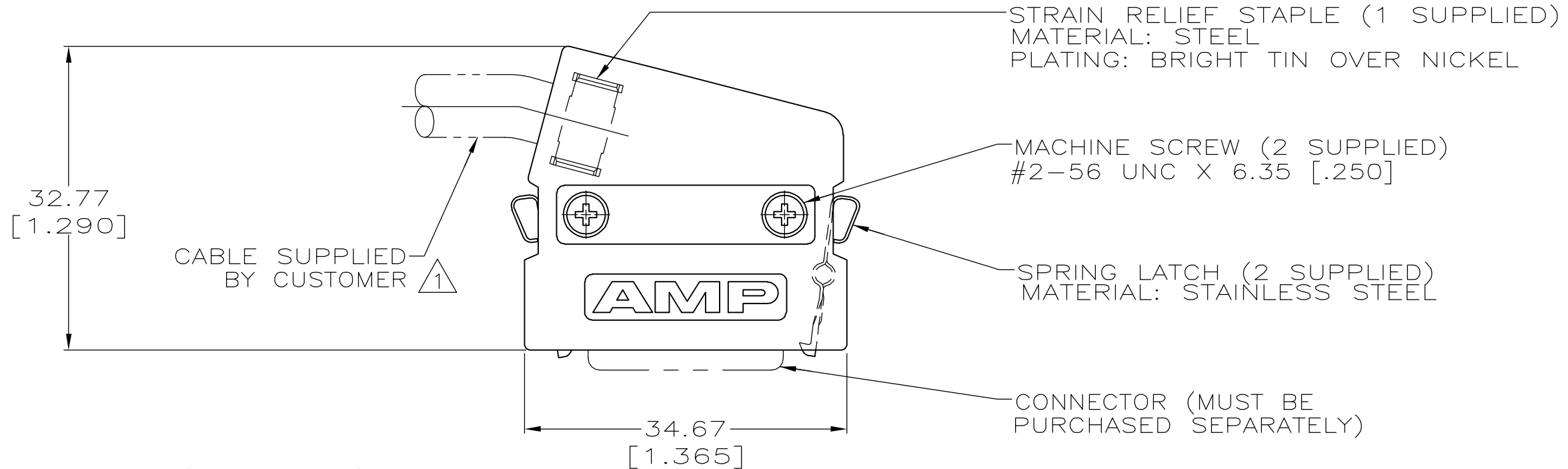
3

2

1

THIS DRAWING IS UNPUBLISHED. RELEASED FOR PUBLICATION -,-
 © COPYRIGHT - BY TYCO ELECTRONICS CORPORATION. ALL RIGHTS RESERVED.

LOC	DIST	REVISIONS					
GP	00	P	LTR	DESCRIPTION	DATE	DWN	APVD
		0		RELEASED PER EC OS13-0001-05	26AUG05	GP	JG



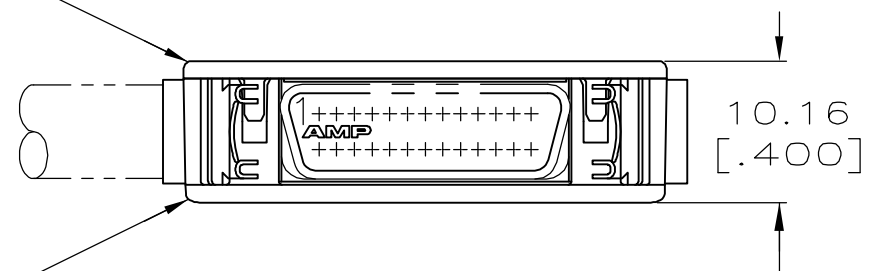
STRAIN RELIEF STAPLE (1 SUPPLIED)
 MATERIAL: STEEL
 PLATING: BRIGHT TIN OVER NICKEL

MACHINE SCREW (2 SUPPLIED)
 #2-56 UNC X 6.35 [.250]

SPRING LATCH (2 SUPPLIED)
 MATERIAL: STAINLESS STEEL

CONNECTOR (MUST BE PURCHASED SEPARATELY)

UPPER BACKSHELL (1 SUPPLIED)
 MATERIAL: ZINC
 PLATING: NICKEL OVER COPPER



LOWER BACKSHELL (1 SUPPLIED)
 MATERIAL: ZINC
 PLATING: NICKEL OVER COPPER

- ① 6.86 [.270] MAX CABLE DIA.
- ② PARTS PACKAGED AS A UNIT KIT.
- ③ INDIVIDUALLY BULK PACKAGED.

**COPYRIGHT 2005
 TYCO ELECTRONICS CORP
 ALL RIGHTS RESERVED**

③	5749609-2
②	5749609-1
PACKAGING	PART NO

THIS DRAWING IS A CONTROLLED DOCUMENT.		DWN G.PETERS 26AUG05	Tyco Electronics Corporation Harrisburg, PA 17105-3608	
DIMENSIONS: mm [INCHES]		CHK S.SHUEY 26AUG05		
TOLERANCES UNLESS OTHERWISE SPECIFIED:		APVD M.WALMSLEY 26AUG05	NAME INDIVIDUAL KIT, UNASSEMBLED, 26 POSITION, 75 DEG EXIT, UNKEYED, AMPLIMITE .050 Series	
0 PLC ± - 1 PLC ± - 2 PLC ± - 3 PLC ± 0.38[.015] 4 PLC ± - ANGLES ± -		PRODUCT SPEC -	RESTRICTED TO -	
MATERIAL -		FINISH -	APPLICATION SPEC -	SIZE A3
		WEIGHT -	CAGE CODE 00779	DRAWING NO C-5749609
CUSTOMER DRAWING			SCALE 1:1	SHEET 1 OF 1
			REV 0	