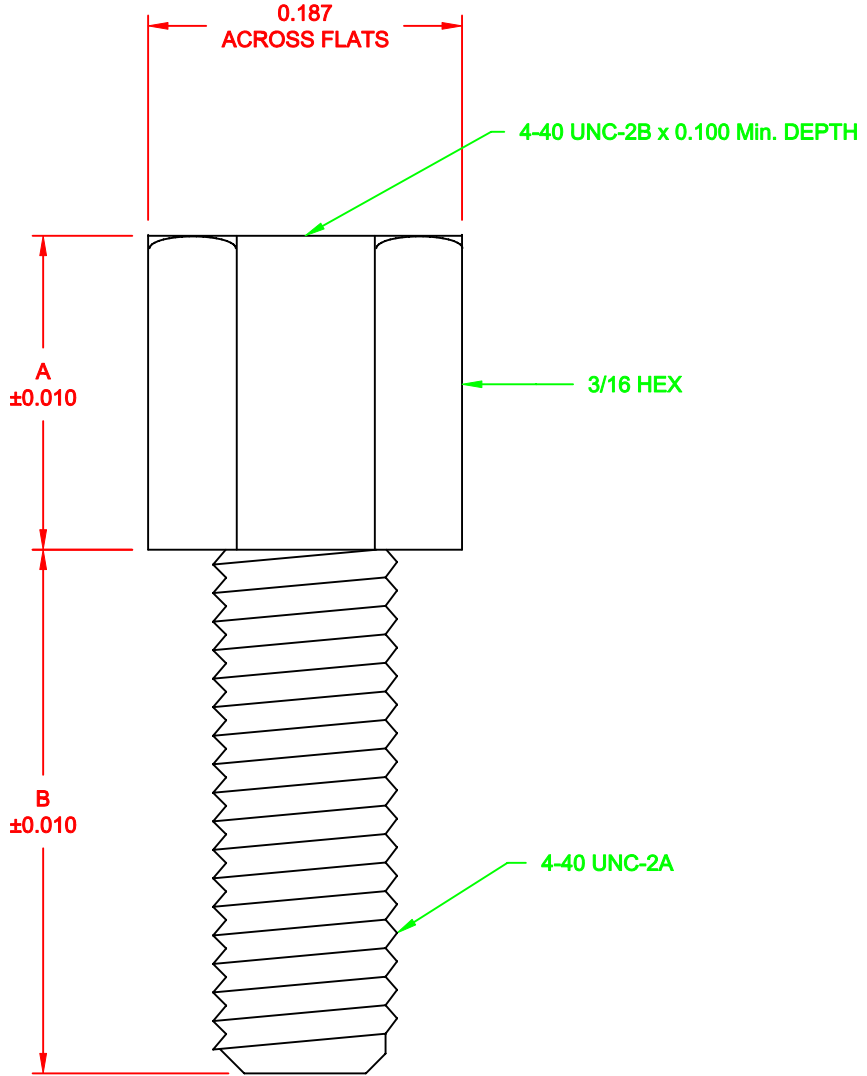


1- NR  
SHOWN

MATERIAL: BRASS - C3604  
 PLATING: NICKEL  
 TORQUE VALUE: 4 - 5 IN. LBS. Max



PART NUMBER	A	B
SFSO-440-1-NR	0.187	0.312
SFSO-440-2-NR	0.250	0.156
SFSO-440-3-NR	0.187	0.625
SFSO-440-4-NR	0.197	0.197
SFSO-440-5-NR	0.197	0.236
SFSO-440-6-NR	0.197	0.323
SFSO-440-7-NR	0.197	0.433
SFSO-440-8-NR	0.197	0.520
SFSO-440-9-NR	0.197	0.669
SFSO-440-10-NR	0.250	0.312

DO NOT SCALE FROM DRAWING



THESE DRAWINGS AND SPECIFICATIONS ARE THE PROPERTY OF NorComp AND SHALL NOT BE REPRODUCED, COPIED OR USED AS THE BASIS FOR THE MANUFACTURE OF SALE OF APPARATUS WITHOUT WRITTEN PERMISSION.

DRAWN: PAM JENKINS		DATE: 8-8-05	
CHECKED:		DATE:	
SCALE: 8 : 1	SHEET 1	OF 1	REV 2
DWG NO. SFSO-440-Y-NR			

NorComp

RoHS COMPLIANT