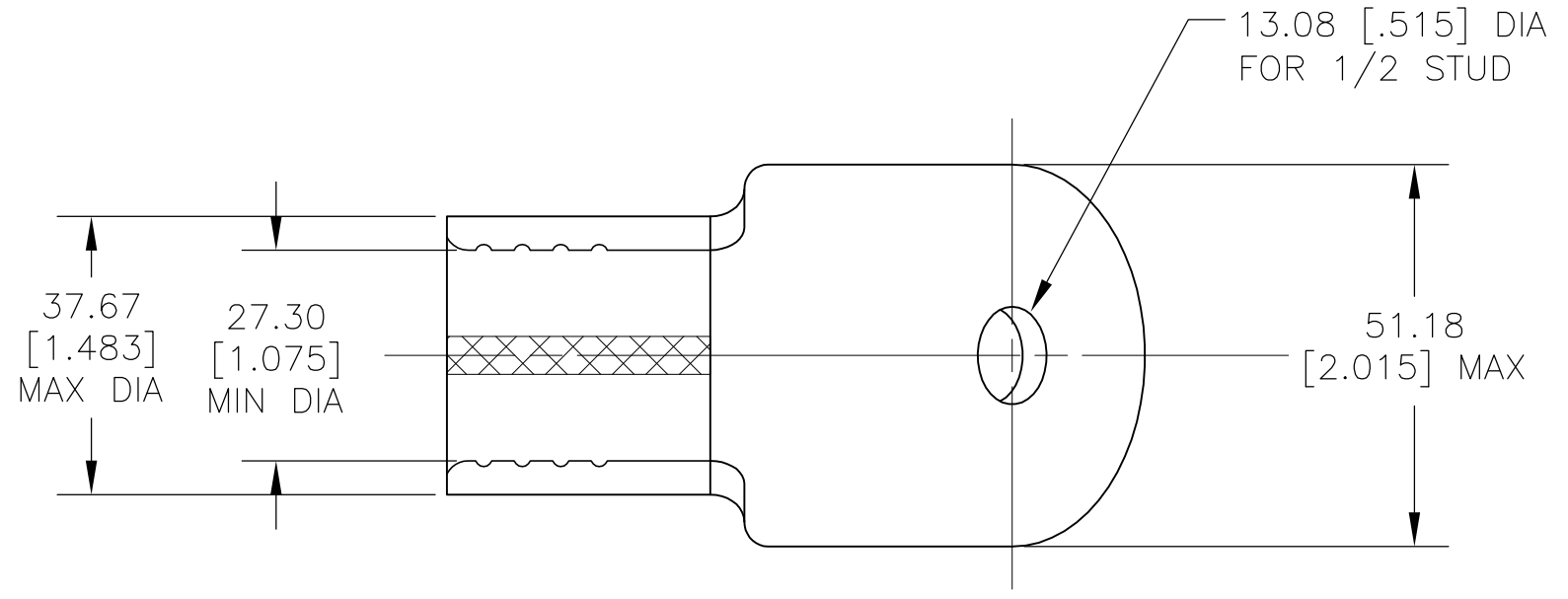
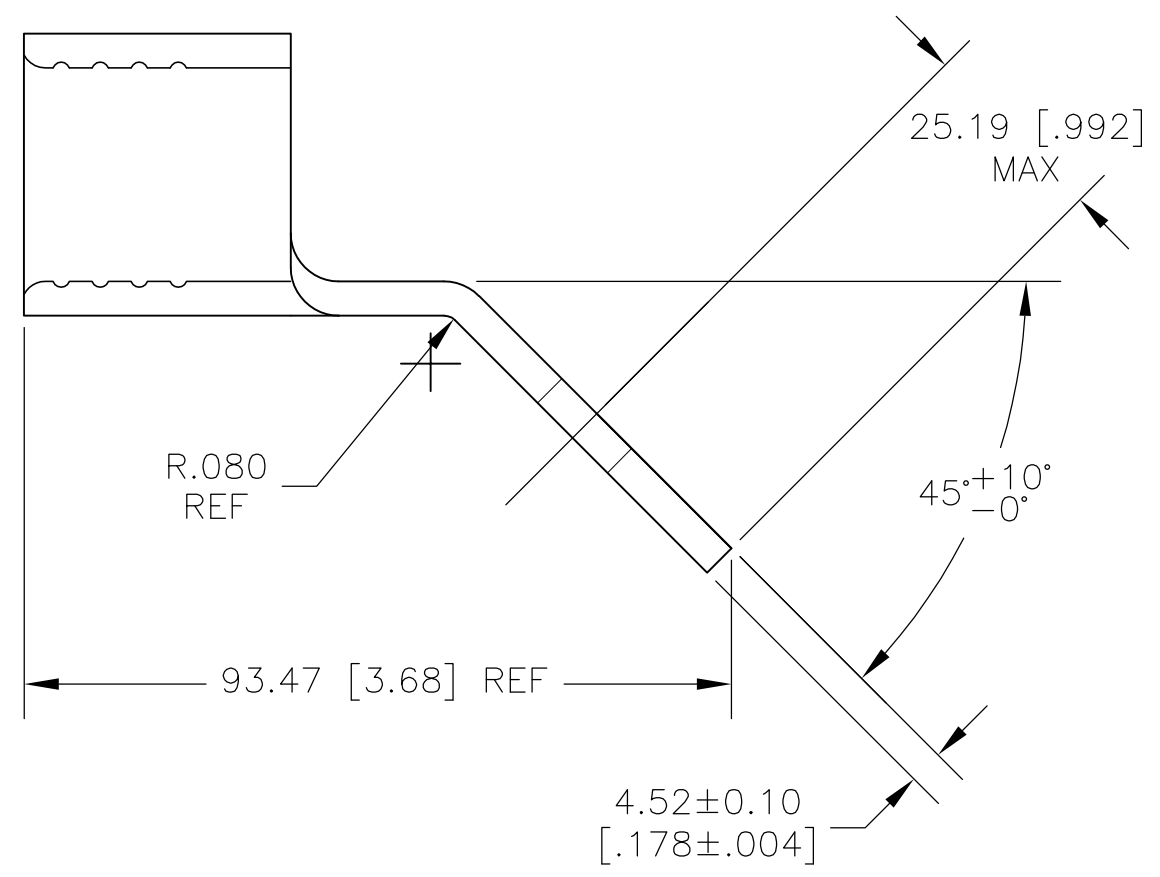


THIS DRAWING IS UNPUBLISHED. RELEASED FOR PUBLICATION
 © COPYRIGHT - BY TYCO ELECTRONICS CORPORATION. ALL RIGHTS RESERVED.

LOC	DIST	REVISIONS			
P	LTR	DESCRIPTION	DATE	DWN	APVD
G	05	1	PROPOSED	-	-



- △ 1 COPPER PER ASTM B152, ANNEALED
- △ 2 TIN PLATE PER ASTM B-545
- △ 3 PRELIMINARY - NOT FOR PRODUCTION



△ 3 1958184-1
 PART NUMBER

THIS DRAWING IS A CONTROLLED DOCUMENT.		DWN	JR RUTH	09JAN08	Tyco Electronics Corporation Harrisburg, PA 17105-3608 PRELIMINARY TERMINAL, RING TONGUE, SOLISTRAND, BENT 45, WIRE SIZE 500-600 MCM							
DIMENSIONS: INCHES		CHK	MIKE SPICER	09JAN08								
TOLERANCES UNLESS OTHERWISE SPECIFIED:		APVD	MIKE SPICER	09JAN08								
0 PLC ± - 1 PLC ± - 2 PLC ± 0.20 [.008] 3 PLC ± - 4 PLC ± - ANGLES ± -		PRODUCT SPEC	-									
MATERIAL - △ 1		FINISH	- △ 2		APPLICATION SPEC	-						
		WEIGHT	-		SIZE	A3	CAGE CODE	00779	DRAWING NO	G-1958184	RESTRICTED TO	-
CUSTOMER DRAWING						SCALE	1:1	SHEET	1 OF 1	REV	1	