

This compact stringpot provides the ultimate in ease-of-use and flexibility. This sensor fits in small spaces, doesn't need perfect alignment, mounts in just about any direction imaginable and has a unique circuit that lets the user choose 4-20mA or 0-10Vdc output on the fly.

The SPD comes in 4 different stroke ranges up to 50 inches and is constructed with a rugged polycarbonate body sealed against IP67 (wet) environments for both indoor and outdoor applications. Every unit ships with a stainless steel mounting bracket that lets the user easily point the measuring cable in the direction needed.

High value and economical price makes this sensor the perfect choice for the OEM and single-piece user alike. Customer specific designs available for the OEM, please contact factory for more information.

## SPD

### Compact, High-Performance String Pot Dual Output to 50"

**Comes With Both 4...20mA and 0...10V Output**

**Rugged IP67 Polycarbonate Enclosure**

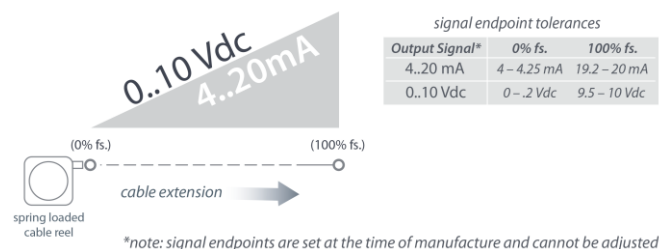
**Mounting Bracket & Sensor Cover Adjusts for Easy Installation**

**IN STOCK for Quick Delivery!**

#### Specifications

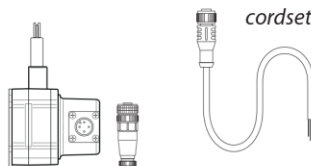
<b>Full Stroke Range Options</b>	0-4.75 to 0-50 inches
<b>User Selectable Output Signal</b>	4...20 mA (2-wire) / 0...10 Vdc
<b>Input Voltage, 4...20 mA option</b>	8-40 VDC
<b>Input Voltage, 0...10 Vdc option</b>	12-32 VDC
<b>Accuracy</b>	see ordering information
<b>Repeatability</b>	.05% FS.
<b>Resolution</b>	essentially infinite
<b>Measuring Cable</b>	.019-inch dia. nylon-coated stainless steel
<b>Sensor</b>	plastic-hybrid precision potentiometer
<b>Cycle Life</b>	see ordering information
<b>Electrical Connection</b>	M12 connector (mating plug included)
<b>Enclosure</b>	glass-filled polycarbonate
<b>Environmental</b>	IP 67
<b>Operating Temperature</b>	-40° to 160° F (-40° to 70° C)
<b>Weight (includes sensor, bracket and connector)</b>	.4 lbs (.19 kg)

#### Output Signal

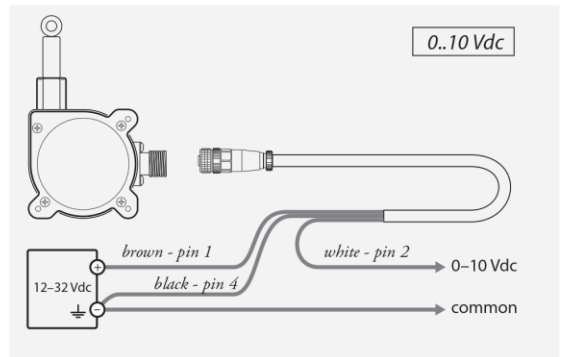
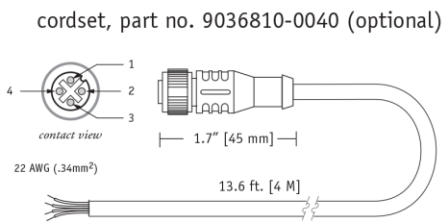
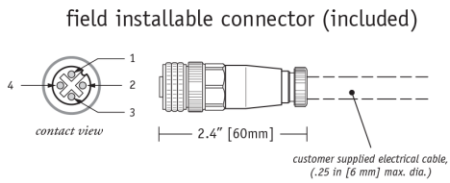
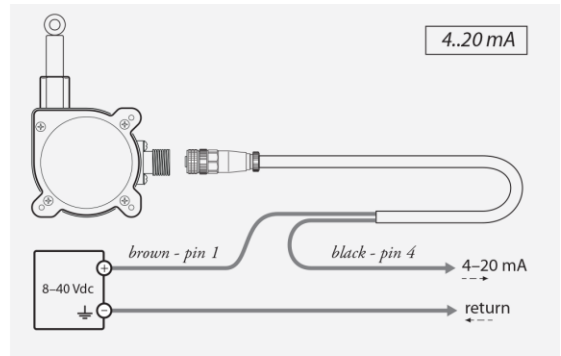


**Electrical Connection**

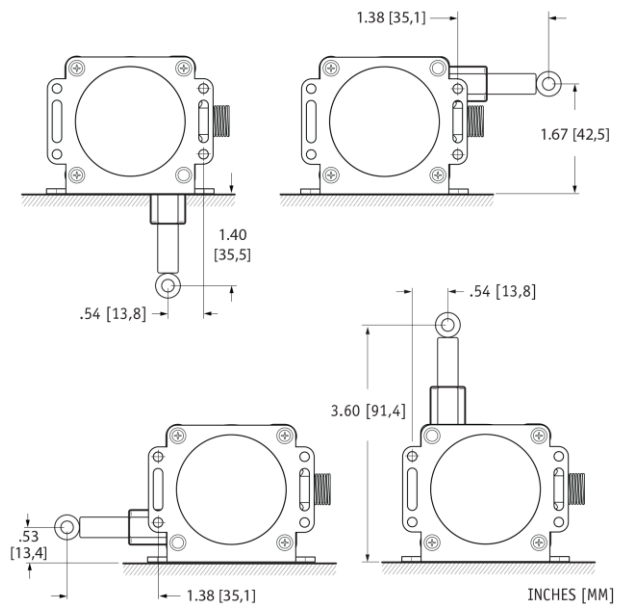
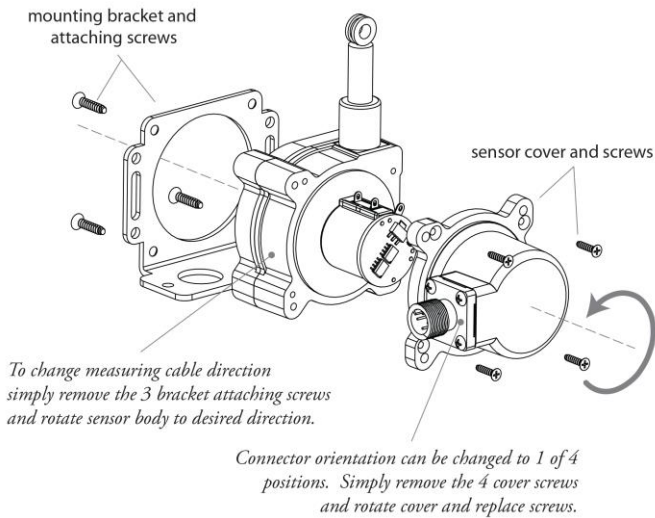
**Output Signals**



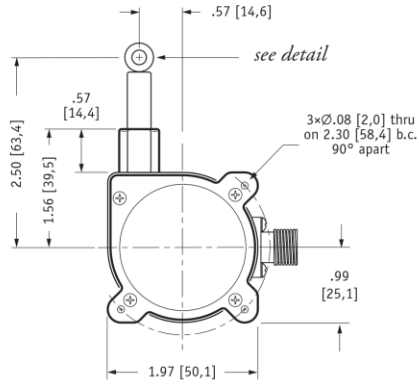
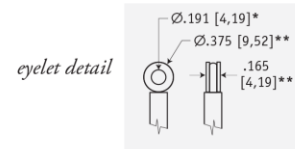
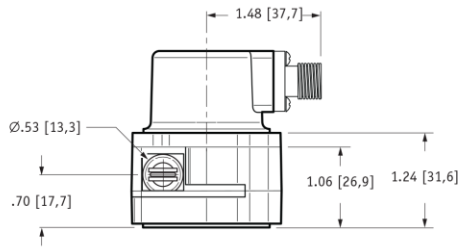
0...10 Vdc	4...20 mA	pin	pin - colorcode
12...32 Vdc	8...40 Vdc	1	1 - brown
0...10 Vdc	n/c	2	2 - white
n/c	n/c	3	3 - blue
common	4...20 mA	4	4 - black



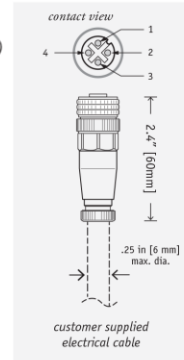
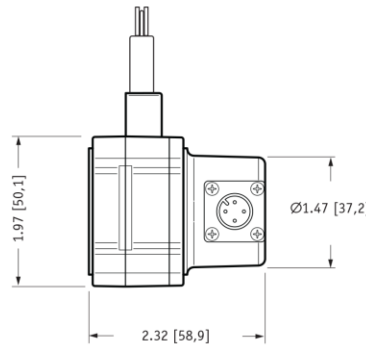
**Mounting Options**



**SPD-xx-3 w/o Mounting Bracket**



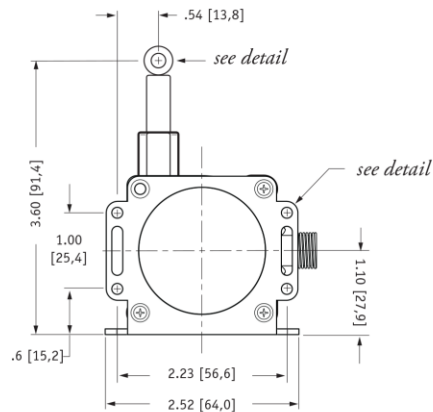
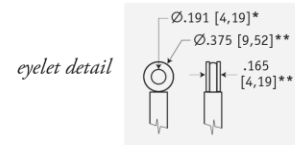
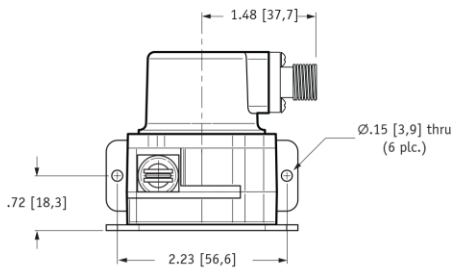
*mating plug (included)*



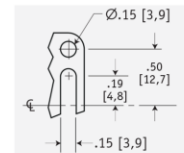
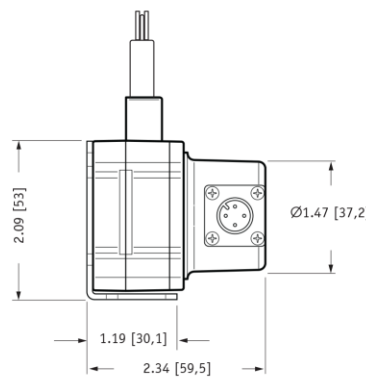
DIMENSIONS ARE IN INCHES [MM]  
tolerances are 0.04 IN. [1,0 MM] unless otherwise noted.

\* tolerance = +.005 -.001 [+0,1 -0,0]  
\*\* tolerance = +.005 -.005 [+0,1 -0,1]

**SPD-xx-3 w/ Mounting Bracket**



*bracket detail*



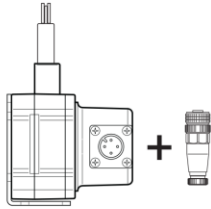
DIMENSIONS ARE IN INCHES [MM]  
tolerances are 0.04 IN. [1,0 MM] unless otherwise noted.

\* tolerance = +.005 -.001 [+0,1 -0,0]  
\*\* tolerance = +.005 -.005 [+0,1 -0,1]

## SPD

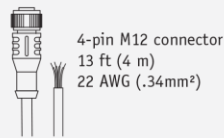
Compact, High-Performance • Dual Output to 50"

### Ordering Information



includes sensor, mounting bracket  
& mating connector.

Part Number	full stroke range	accuracy	max. acceleration	measuring cable tension (± 25%)	cycle life
<b>SPD-4-3</b>	4.75 in (120 mm)	1.00%	11 g	11.5 oz. (3,2 N)	2.5M
<b>SPD-12-3</b>	12.5 in (317 mm)	.25%	11 g	13.9 oz. (3,7 N)	500K
<b>SPD-25-3</b>	25 in (635 mm)	.25%	11 g	11.5 oz. (3,2 N)	500K
<b>SPD-50-3</b>	50 in (1270 mm)	.25%	11 g	11.5 oz. (3,2 N)	250K



4-pin M12 connector  
13 ft (4 m)  
22 AWG (.34mm<sup>2</sup>)

### Optional Cordset

Part No. **9036810-0040** for short-run connections, an optional  
13-ft. cordset with 4-pin M12 connector

### NORTH AMERICA

Measurement Specialties, Inc.,  
a TE Connectivity company  
20630 Plummer Street  
Chatsworth, CA 91311  
Tel +1 800 423 5483  
Tel +1 818 701 2750  
Fax +1 818 701 2799  
info@celesco.com

### [TE.com/sensorsolutions](http://TE.com/sensorsolutions)

Measurement Specialties, Inc., a TE Connectivity company.

Measurement Specialties, TE Connectivity, TE Connectivity (logo) and EVERY CONNECTION COUNTS are trademarks. All other logos, products and/or company names referred to herein might be trademarks of their respective owners.

The information given herein, including drawings, illustrations and schematics which are intended for illustration purposes only, is believed to be reliable. However, TE Connectivity makes no warranties as to its accuracy or completeness and disclaims any liability in connection with its use. TE Connectivity's obligations shall only be as set forth in TE Connectivity's Standard Terms and Conditions of Sale for this product and in no case will TE Connectivity be liable for any incidental, indirect or consequential damages arising out of the sale, resale, use or misuse of the product. Users of TE Connectivity products should make their own evaluation to determine the suitability of each such product for the specific application.

© 2015 TE Connectivity Ltd. family of companies All Rights Reserved.

SPD 12/01/2015