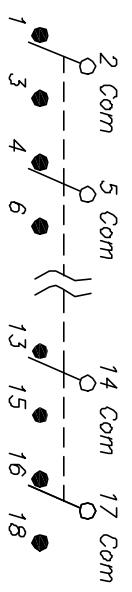


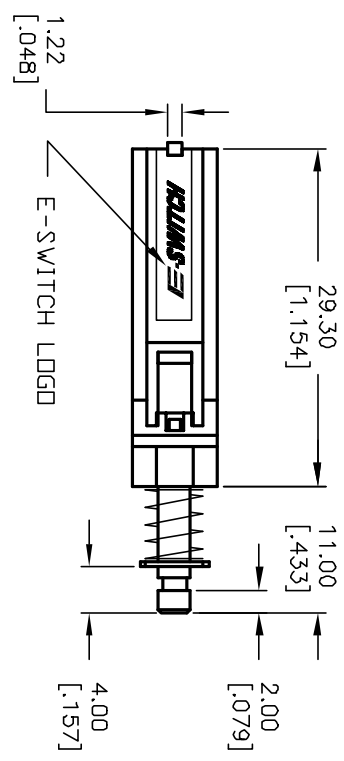
RECOMMENDED PCB LAYOUT



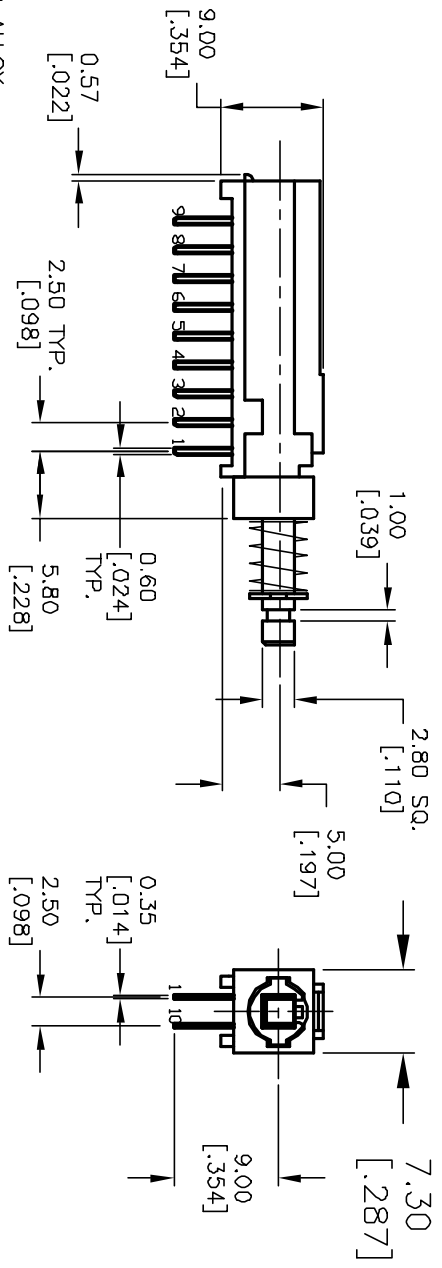
CIRCUIT: 6PDT

NOTES:

1. ALL DIMENSIONS IN MM [INCH]
2. GENERAL TOLERANCE: X.X=±0.4  
X.XX=±0.25
3. TERM. NOS. FOR REFERENCE ONLY.
4. RATING: 0.1A @30V DC
5. MATERIALS:  
CONTACT/TERMINAL: SILVER PLATED COPPER ALLOY  
HOUSING/PLUNGER: UL94HB  
CONTACT RESISTANCE: 0.1 MAX.
6. TIMING: NON-SHORTING (BBM)
7. OPERATING FORCE: 300±100g
8. TRAVEL: 2mm (TRAVEL TO LOCK)  
3mm (OVERALL)
9. ELECTRICAL LIFE: >10,000
10. DIELECTRIC STRENGTH: 250V RMS



E-SWITCH LOGGD



REV.	ECN No.	DESCRIPTION	DATE	CHKD
D	11999	REVISED AND REDRAWN	3/14/02	CJB

TITLE	SCALE	DATE	DR	DWG	REV
MTH6U EE N AGX (LATCHING)	1.5:1	3/14/02	CJB	A960010	D



THE INFORMATION CONTAINED IN THIS DOCUMENT IS PROPRIETARY TO E-SWITCH AND IS NOT TO BE COPIED OR TRANSFERRED