

4

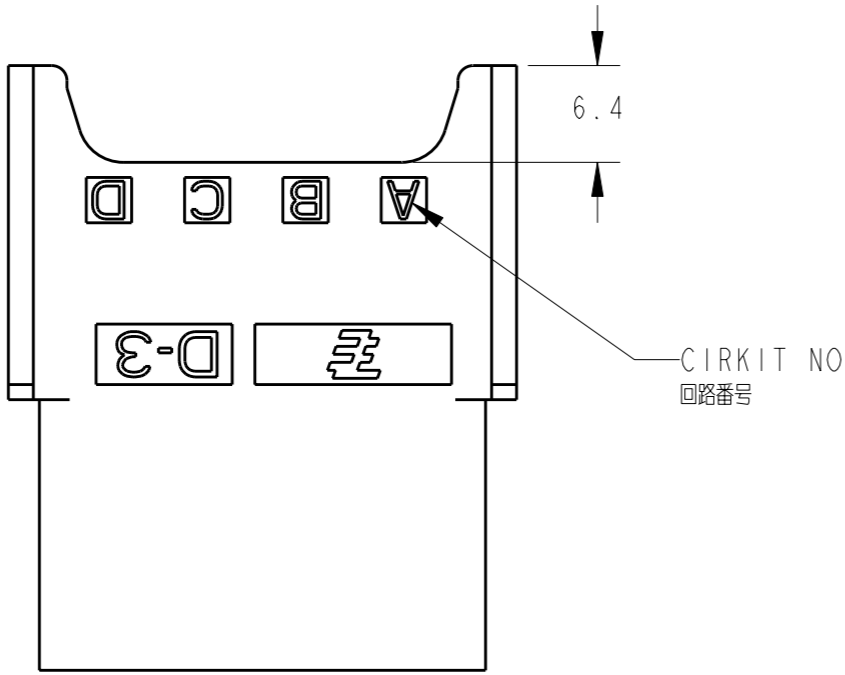
3

2

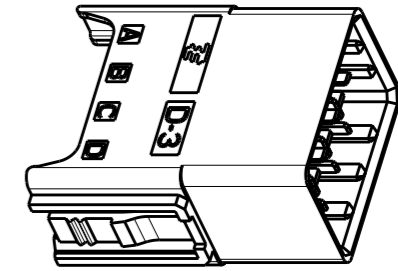
1

THIS DRAWING IS UNPUBLISHED. RELEASED FOR PUBLICATION 20
 © COPYRIGHT 20 BY TYCO ELECTRONICS CORPORATION. ALL RIGHTS RESERVED.

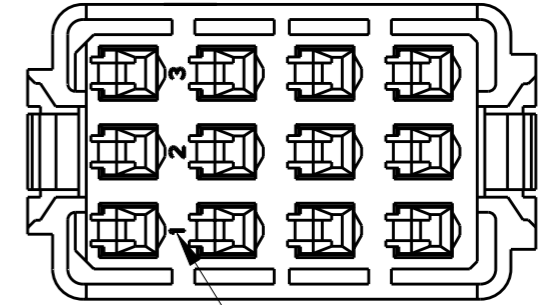
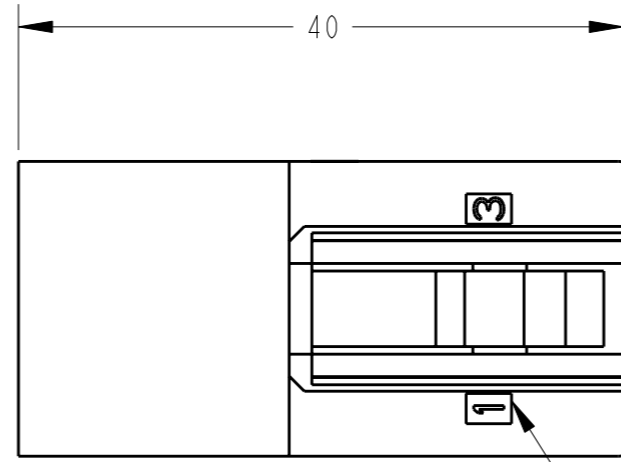
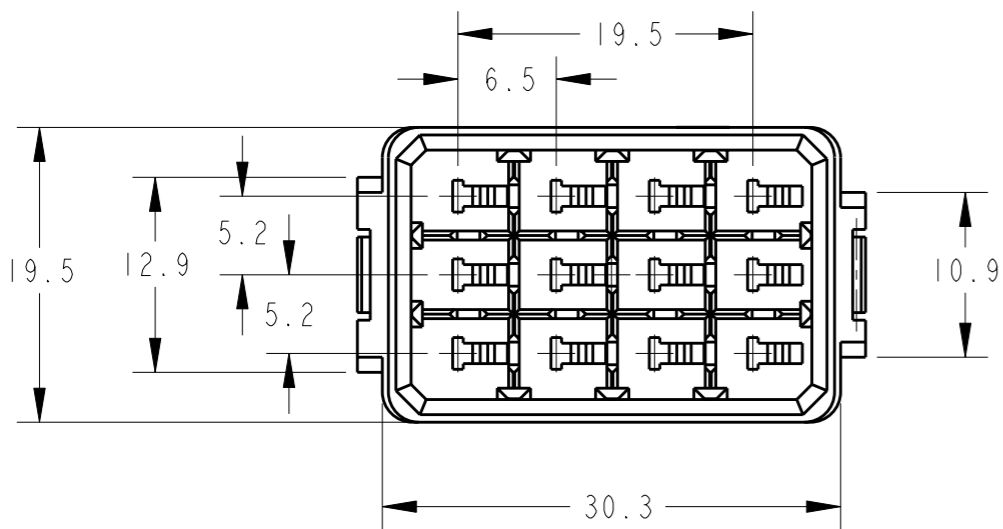
LOC	DIST	REVISIONS					
		P	LTR	DESCRIPTION	DATE	DWN	APVD
J	-		B	REVISED PER ECR-10-017116	24AUG10	HMR	TM



1747364-1: AS SHOWN



スケール 1:1



注記

- 材料: ガラス入り熱可塑性ポリエステル樹脂
色: 黒色
- HTSコネクターモジュール固定フレーム使用型番
サイズ"3: 0-1108784-1
サイズ"4: 0-1108783-1, 0-1108783-2
サイズ"6: 0-1108782-1, 0-1108782-2
サイズ"8: 0-1108780-1, 0-1108780-2

NOTES

- MATERIAL: GLASS FIELD THERMO PLASTIC, POLYESTER
COLOR: BLACK
- HTS CONNECTOR MODULE FIXATION FRAME USE P/No
SIZE3: 0-1108784-1
SIZE4: 0-1108783-1, 0-1108783-2
SIZE6: 0-1108782-1, 0-1108782-2
SIZE8: 0-1108780-1, 0-1108780-2

THIS DRAWING IS A CONTROLLED DOCUMENT FOR TYCO ELECTRONICS CORPORATION IT IS SUBJECT TO CHANGE AND THE CONTROLLING ENGINEERING ORGANIZATION SHOULD BE CONTACTED FOR THE LATEST REVISION.		DWN T. Sakamoto 31.AUG'05	Tyco Electronics Tyco Electronics AMP K.K. Kawasaki, Japan	
DIMENSIONS: 単位: 耗 mm	TOLERANCES UNLESS OTHERWISE SPECIFIED: 一般公差 0 PLC ±- ±0.35 1 PLC ±- ±0.35 2 PLC ±- ±3° 3 PLC ±- ±3° 4 PLC ±- ±3° ANGLES ±- ±-	CHK D. Mitsugi 31.AUG'05	NAME 名称 TAB HSG12P DYNAMIC D-3800SERIES WITH HTS CONNECTOR	
MATERIAL 材料 注記参照 SEE NOTES	FINISH 仕上 -	APVD D. Mitsugi 31.AUG'05	PRODUCT SPEC 製品規格 108-78285	SIZE A3
		APPLICATION SPEC 取付適用規格 114-5148	WEIGHT -	CAGE CODE 00779
CUSTOMER DRAWING		DRAWING NO 番号 1747364		RESTRICTED TO -
		SCALE 尺度 2:1		SHEET 1 OF 1 REV B