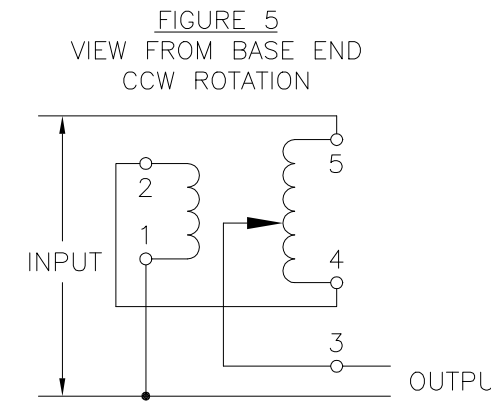
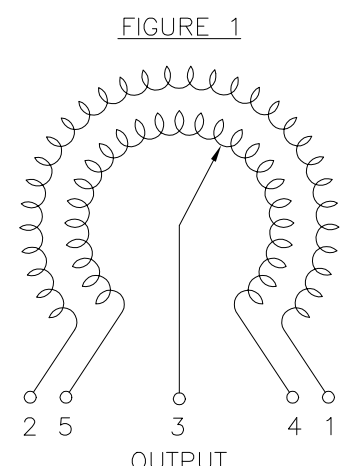


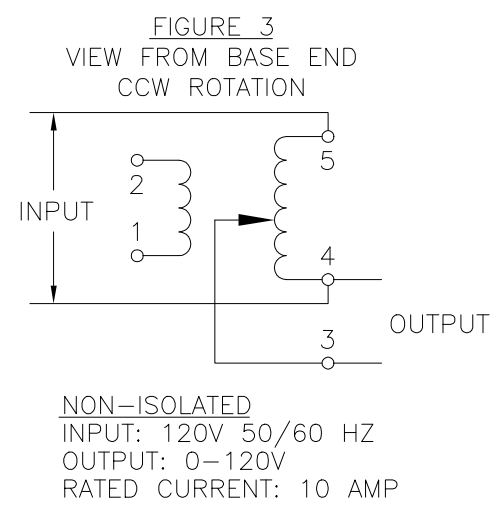
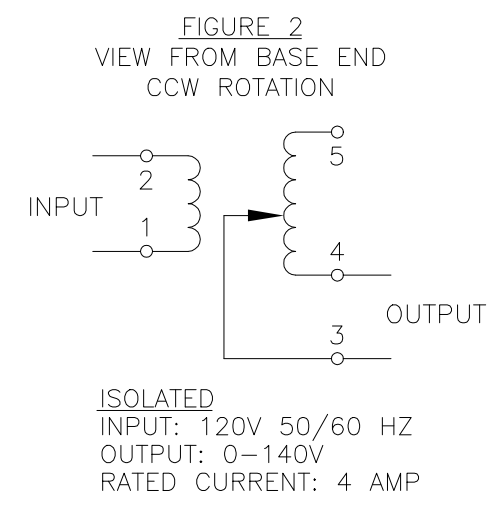
VOLTAGE DOUBLER  
 INPUT: 120V 50/60 HZ  
 OUTPUT: 0-120V  
 RATED CURRENT: 4 AMP @ 260V  
 INCREASING TO 9 AMP @ 120V



SERIES  
 INPUT: 240V 50/60 HZ  
 OUTPUT: 110-240V  
 RATED CURRENT: 9 AMP



SCHEMATIC  
 VIEW FROM BASE END  
 FUSE RECOMMENDED BUT NOT SUPPLIED  
 FOR OPPOSITE ROTATION INTERCHANGE  
 CONNECTIONS FROM 1 TO 2 AND 4 TO 5



SPECIFICATIONS									
SCHEMATIC	WIRING	INPUT		OUTPUT		SHAFT ROTATION TO INCREASE VOLTAGE	TERMINAL CONNECTIONS		
		VOLTS	HERTZ	VOLTS	CONSTANT CURRENT LOAD		FOR INCREASING VOLTAGE AS VIEWED FROM BASE END		
					MAX. AMPS	MAX. KVA	INPUT	JUMPER	OUTPUT
FIGURE 2	ISOLATED	120	50/60	0-140	4	0.56	CW	1-2	3-5
								CCW	1-2
FIGURE 3	NON-ISOLATED			0-120	10	1.20	CW	4-5	3-5
							CCW	4-5	3-4
FIGURE 4	VOLTAGE DOUBLER			120-260	9	1.04	CW	1-2	1-5 3-2
							CCW	1-2	2-4 3-1
FIGURE 5	SERIES	240		110-240	9	2.16	CW	1-5	1-5 3-2
							CCW	1-5	2-4 3-1

UNLESS OTHERWISE SPECIFIED, TOLERANCE IS ±  
 DECIMALS .06 HOLES .002 ANGLES 1° DRAFT 1-1/2°  
 .XX .005  
 .XXX .005

MATERIAL: ALL DIMENSIONS APPLY AFTER PLATING

UNITS IN [mm]

TITLE: SPEC. CONTROL DRAWING  
 VARIABLE TRANSFORMER  
 TYPE: J401

DRAWN BY: TIM RAU DATE: 5/21/02 FIRST USED ON: 031-8862 DO NOT SCALE DWG.  
 CHECKER: S.A. SMITH DATE: 5/24/02 WEIGHT APPROX.: 14.75 LBS. CAGE CODE: 83008  
 ENGINEER: S.A. SMITH DATE: 5/24/02 SCALE: 1=1 SHEET 1 OF 1

DWG. NO. 031-8862

**STACO ENERGY PRODUCTS CO.**  
 A Components Corporation of America Company  
 302 Gadsden Boulevard Dayton, Ohio 45403 USA